



RONDCOM TOUCH

New Entry Model Standard Pursuing Low Price and Ease of Use

Compact Design Makes It Smallest in the World

The horizontal width (320 mm) is 49% less, the height (500 mm) is 22% less and the footprint is also 50% less than the previous model.

World's First Column Moving Structure (patent pending)

Adopted a structure enabling access from both right and left directions.
Enables flexible access to workpieces.

Adopted Tablet PC

Easy operation with tablet PC touch panel.
Connection to the instrument is selectable between Bluetooth wireless connection and USB connection.



Single Screen Integrating Necessary Icons

Four buttons necessary for measurement

- 1 [Measurement Button] Displays measurement screen.
- 2 [Print Button] Displays print start screen.
- 3 [Alignment Assist Button] Displays alignment assist screen.
- 4 [Calibration Button] Displays detector calibration button.

If you are in trouble

[Help Button] Displays operational instruction.

Main screen

Four tabs necessary for data analysis

- [Layout] Selects ledger layout (left figure).
- [Menu] Enables addition of display items, saving and reading of documents, etc.
- [Data Pool] Displays list of actually executed operations, such as measurement and analysis.
- [Smart Tool Bar] Enables editing of analysis area data (changing waveform color and addition of displayed parameters, etc.)

To edit document layout

[Analysis Area] Displays print layout.

*The stand for tablet PC is optional.

Newly Developed ACCTee for TABLET

Intuitive operations, such as swiping and pinching, enhance smoothness in measuring operations.

Available in Multiple Languages (Standard Function)

Available languages:
Japanese/English/German/French/Italian/Spanish/Chinese/Korean/Czech/Polish

Alignment Assist Function (Standard Function) (Patented)

- 1 Alignment assist screen

[Centering Button] Executes centering.
[Leveling Button]
- 2

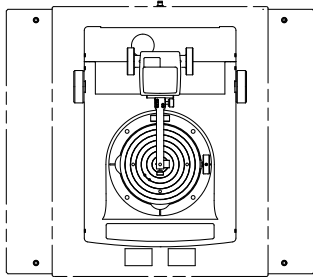
By turning the rotary table
- 3

the displacement between the rotation center of the workpiece and the rotation center of the table is displayed in bar graph.
- 4

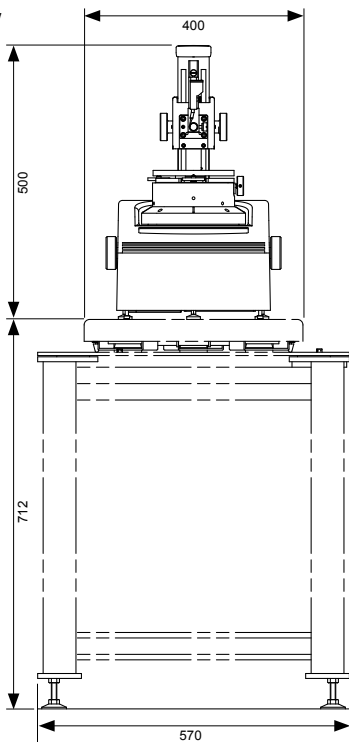
You only need to turn the knob and set the displacement in the bar graph "0".
*Leveling is executed in the same way.

External view

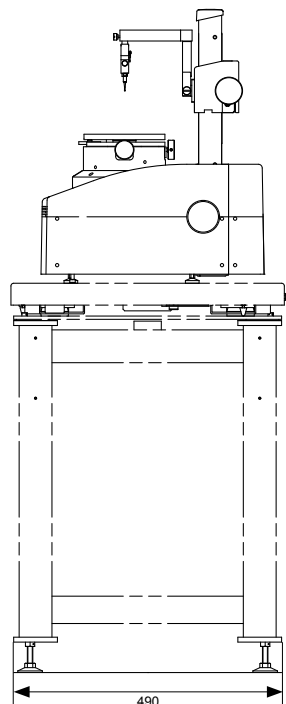
Top view



Front view



Side view



Specifications

Model		RONDCOM TOUCH	
Measuring system		Manual	
Measuring range	Max. measuring diameter	Φ 150 mm	
	Right/left feed range (X-axis)	±80 mm (Manual)	
	Up/down feed range (Z-axis)	162 mm (Manual)	
	Max. loading diameter	Φ 240 mm	
Max. measuring height		160 mm	
Rotation accuracy	Radial direction JIS B 7451-1997	(0.04+6H/10,000) μm H: Measurement height [mm]	
	axial direction	(0.04+6R/10,000) μm R: Measuring radius [mm]	
Measurement speed	Rotational direction (θ-axis)	6/min Fixed	
Rotary table	Table outside diameter	Φ 148 mm	
	Adjustment range of centering/tilting	±2 mm/±1° *With fixed point structure	
	Load	15 kg	
Detector	Detection range	±400 μm	
	Measuring force	70 mN	
	Stylus shape	Φ 1.6 mm Carbide ball	
	Stylus length	17 mm	
data processor		Tablet PC	
OS		Windows ®	
Communication function	Wireless	Bluetooth ®	
	Wired	USB 2.0	
Display device		10.1 inch TFT color LCD with touch panel (capacitance)	
Interface		USB 2.0 x 2	
Integrated Analysis Software		Tablet version ACCTee	
Type of filter	Digital filter	Gaussian/Phase compensation 2RC/Spline/Robust (Spline)	
Cutoff value	Rotational direction (θ-axis)	Low pass 15, 50, 150, 500 peaks/rotation settable any value in range 15 to 500 peaks/rotation	
	Band pass	15 to 150, 15 to 500 peaks/rotation	
Display magnification		±400 μm	
Roundness evaluation of form error		MZC (min. zone circle method), LSC (least square circle method), MIC (max. inscribed circle method), MCC (min. circumscribed circle method) N.C. (no compensation)	
Measuring items	Rotational direction	Roundness, flatness, parallelism, concentricity, coaxiality, squareness, thickness variation, run-out	
Analysis processing functions		notch function (level, angle, cursor), profile characteristic graph display (bearing area curve, amplitude distribution function, power spectrum) Gear analysis	
Special function		Alignment assist function, error judgment function, security function	
Recording system		Color or laser printer can be selected	
Other	Power supply (Voltage to be specified)	AC100 to 240 V ±10% 50/60 Hz	
	Power consumption	max. 50 VA (Tablet PC, except printer)	
	Air supply	Supply pressure: 0.3 to 0.7 MPa, Working pressure: 0.25 MPa	
	Air consumption volume	30 NL/min	
	Supply position	Measuring section rear surface	
	Nipple for air source connection	One touch coupling for Φ 8 mm (outer diameter) hose	
	Measuring section	Standard	320(W)x 410(D)x500(H) mm
		High column	Approx. 26 kg
	Tablet PC	Standard	183(W) x 15.8(D) x 263(H) mm
		High column	Approx. 1 kg

 Dedicated catalog is available.