

▼ ZA4204TX-QR



Ex II 2 GD ck T4
DEKRA 0602

Z Tough, Dependable Innovative CLASS

ZA4208TX-QRU105 Complete Set with Pump, Hose THQ706T and Roll Cage:

- Fine air pressure adjustment for very accurate torque control
- High bypass pressure (180 bar) for faster torque cycles
- Improved wrench performance at low pressure

Standard ZA4T-pump models:

- Two-speed operation and 100 bar by-pass pressure reduces cycle time for improved productivity
- Glycerin filled pressure gauge with transparent overlays in Nm and Ft.lbs for Enerpac torque wrenches provide a quick torque reference
- Standard Regulator-Filter-Lubricator with removable bowls and auto drain
- Heat exchanger warms exhaust air to prevent freezing and cools the oil
- Ergonomic pendant allows remote operation up to 6 m.



◀ Most hydraulic torque wrenches can be powered by the Enerpac ZA4T-Series torque pumps.



Gauge with Overlay Kit

Gauge Overlay Kits are available separately for use with ZA4T-Series pumps:

GT4015Q includes gauge and overlays for all Enerpac all S, W, RSL, DSX and HMT-Series torque wrenches.



Torque Pump Selection Matrix

For optimum speed and performance see the torque pump selection matrix.

Page: 265



Torque Wrench Hoses

Use Enerpac THQ-Series hoses with torque pumps to ensure the integrity of your hydraulic system.

For 700 bar	Model Nr.
2 m long, 2 hoses	THQ702T
6 m long, 2 hoses	THQ706T
12 m long, 2 hoses	THQ712T

Page: 249



ZA4T-Pump Applications

The ZA4T-Series pump is best suited to power medium to large size torque wrenches.

Patent-pending Z-Class technology provides high by-pass pressures for increased productivity.

Its high power to weight ratio and compact design make it ideal for applications which require easy transport of the pump.

All ZA4T-Series pump models meet CE, CSA and TÜV safety requirements. For further application assistance contact your local Enerpac office.

ATEX 95 Certified

The ZA4T-Series pumps are tested and certified according to the Equipment Directive 94 / 9 / EC "ATEX Directive".

The explosion protection is for Equipment Group II, Equipment Category 2 (Hazardous Area Zone 1), in Gas and/or Dust atmospheres. The ZA4T-Series pumps are marked with: **Ex II 2 GD ck T4**.



ZA4T Series



Reservoir Capacity:

4,6 - 6,8 litres

Flow at Rated Pressure:

1,0 l/min

Air Consumption:

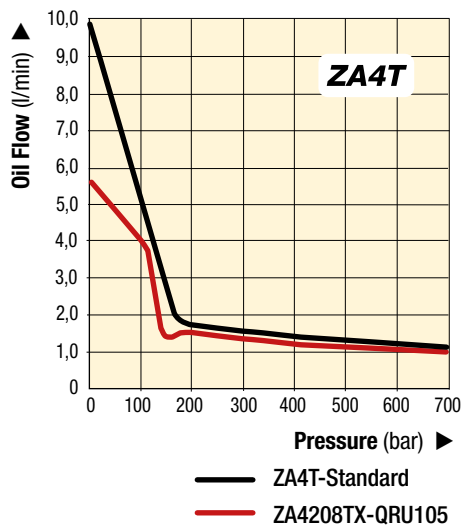
600 - 2840 l/min

Maximum Operating Pressure:

700 bar

OIL FLOW VERSUS PRESSURE

6,9 bar dynamic air pressure at 2840 l/min



Accessory Options

Available by placing the following additional suffix at the end of the model number:

- K** = Skid bar
- M** = 4-wrench manifold
- R** = Roll cage.

Page: 282

▼ ZA4208TX-QRU105 for improved wrench performance and torque control at low pressure.



COMMON PUMP MODELS

For Use With Torque Wrenches	Maximum Operating Pressure (bar)	Model Number	Reservoir Capacity (litres)	Weight (kg)
all S, W, RSL, DSX and HMT-Series	700	ZA4208TX-QRU105 *	6,8	45
	700	ZA4204TX-Q	4,6	42
	700	ZA4208TX-Q	6,8	47
	700	ZA4204TX-QR **	4,6	46
	700	ZA4208TX-QR **	6,8	51

* Standard with roll cage, with THQ706T hose and fine air pressure adjustment for very accurate torque control. Pump weight 45 kg, complete set including hose weight 58 kg.

** With Roll Cage.



Skid Bar

- Provides greater pump stability on soft or uneven surfaces
- Provides easy two-handed lift.

Accessory Kit * Model Nr.	Can be used on ZA4T-Series torque pumps
SBZ-4	Reservoir 04 and 08

* Add suffix **K** for factory installation. Weight skid bar 2,2 kg.
Ordering Example: ZA4208TX-QK



4-Wrench Manifold

- For simultaneous operation of multiple torque wrenches
- Can be factory installed or ordered separately.

Accessory Kit * Model Nr.	Can be used on ZA4T-Series torque pumps
ZTM-Q	for 700 bar torque wrenches

* Add suffix **M** for factory installation. This option cannot be installed onto the ZA4208TX-QRU105 pump, as the valve manifold is different. Weight manifold 4,5 kg.
Ordering Example: ZA4208TX-QM



Roll Cage

- Protects pump
- Provides greater pump stability.

Accessory Kit * Model Nr.	Can be used on ZA4T-Series torque pumps
ZRC-04	Reservoir 04 and 08

* Add suffix **R** for factory installation. Roll cage weight 3,4 kg.
Ordering Example: ZA4208TX-QR



Torque Wrench Couplers

For Enerpac torque wrench couplers see our "System Components" section in this catalogue.

Page: 130



PowaPak™ Air Torque Pump

ZA4208TX-QR0P Pump with Stainless Steel Roll Cage and Certified Lifting Eye.

Page: 284



Torque Wrench Hoses

Use Enerpac twin safety hoses to connect your torque wrench to the pump.

For 700 bar	Model-Nr.
2 m long, 2 hoses	THQ702T
6 m long, 2 hoses	THQ706T
12 m long, 2 hoses	THQ712T

Ordering Matrix and Specifications

▼ This is how a ZA4T-Series pump model number is built up:

Z	A	4	2	08	T	X	-	Q	M	R
1 Product Type	2 Motor Type	3 Flow Group	4 Valve Type	5 Reservoir Size	6 Valve Operation	7 Voltage		8 Must be Q	8 Options	8 Options

1 Product Type

Z = Pump series

2 Motor Type

A = Air motor

3 Flow Group

4 = 1,0 l/min @ 700 bar

4 Valve Type

2 = Torque Wrench Valve

5 Reservoir Size

04 = 4,6 litres

08 = 6,8 litres

6 Valve Operation

T = Air operated valve with pendant

7 Voltage

X = Not applicable

8 Options

Q = 700 bar couplers for use with Enerpac or other torque wrenches

K = Skid bar

M = 4-wrench manifold

R = Roll cage

ZA4T Series



Reservoir Capacity:

4,6 - 6,8 litres

Flow at Rated Pressure:

1,0 l/min

Air Consumption:

600 - 2840 l/min

Maximum Operating Pressure:

700 bar



How to order your ZA4T-Series torque pump

Model No. ZA4208TX-QMR

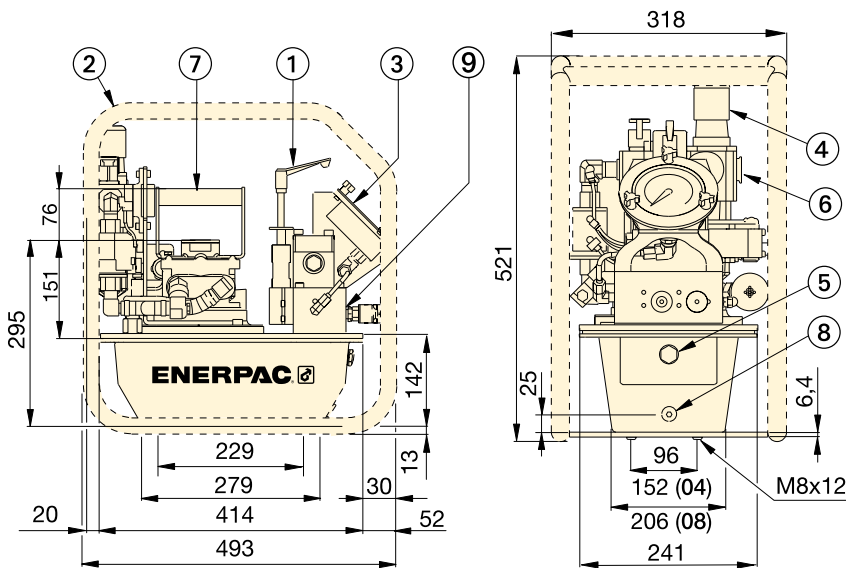
700 bar pump for use with Enerpac S-, W-, RSL, DSX and HMT-Series and other 700 bar torque wrenches, 6,8 litres reservoir, 4-wrench manifold, and roll cage.



Torque Pump Selection Matrix

For optimum speed and performance see the torque wrench and pump matrix.

Page: 265



- ① User adjustable relief valve
- ② Roll Cage (optional)
- ③ Gauge with overlays
- ④ Filter/lubricator/regulator
- ⑤ Oil level sight gauge
- ⑥ Air input 1/2" NPTF
- ⑦ Standard handle
- ⑧ Oil drain
- ⑨ 1/4"-18 NPTF Oil outlet

ZA4T-Series Performance

Pump Model	Output Flow Rate (l/min)				By-pass pressure (bar)	Dynamic Air Pressure Range (bar)	Air Consumption (l/min)	Sound Level (dBA)	Relief Valve Adjustment Range (bar)
	7 bar	50 bar	350 bar	700 bar					
ZA4208TX-QRU105	5,7	4,5	1,4	1,0	180	7,0	600 - 2840	85-90	124 - 700
ZA4T Standard	9,8	8,2	1,4	1,0	100	4,0 - 6,9	600 - 2840	85-90	124 - 700

▼ ZA4208TX-QR0P



New ZA4T with Stainless Steel Roll Cage and Certified Lifting Eye

- **Stainless-Steel Roll Cage** resists corrosion
- **Certified Lifting Eye** for transporting pump between levels
- **Two-speed operation** and high by-pass pressure reduces cycle time for improved productivity
- **Integrated heat exchanger** warms exhaust air to prevent freezing and cools the oil
- **Fine hydraulic pressure adjustment** for accurate torque control
- **Improved wrench speed** at low hydraulic pressure due to the expanded 1st stage bypass setting
- **Pendant** allows operation up to 6 metres (20 ft)
- **Filter-Regulator-Lubricator** with removable bowls and auto drain is standard
- **Calibrated, glycerin filled gauge** with display in bar and psi
- **ATEX-tested and certified.**



Torque Pump Selection Matrix

For optimum speed and performance see the torque wrench pump selection matrix.

Page: 265



Torque Wrench Hoses

Use Enerpac THQ700-Series hoses with torque wrenches to ensure the integrity of your hydraulic system.

For 700 bar	Model-Nr.
2 m long, 2 hoses	THQ702T
6 m long, 2 hoses	THQ706T
12 m long, 2 hoses	THQ712T

▼ Certified lifting eye.



PowaPak™ Air Torque Pump



PowaPak™ Air Torque Pump

The ZA4208TX-QROP was developed for the high demands of the oil and gas, chemical processing, rental and other industrial markets.

The stainless-steel roll cage resists corrosion and surface damage reducing the maintenance required to prepare the pump for the next job.

The certified lifting eye enables the pump to be transported between levels with a lifting hook avoiding time consuming strapping.

ATEX-Certified

The ZA4T air-driven torque pump is tested and certified according to the ATEX Directive 2014/34/EU.

The explosion protection is for Equipment Group II, Equipment Category 2 (Hazardous Area Zone 1), in Gas and /or Dust atmospheres.

Each pump contains the following markings:

Ex IIC T4 Gc

Ex IIIC T135°C Dc



ZA4T Series



Reservoir Capacity:

6,8 litres

Flow at Rated Pressure:

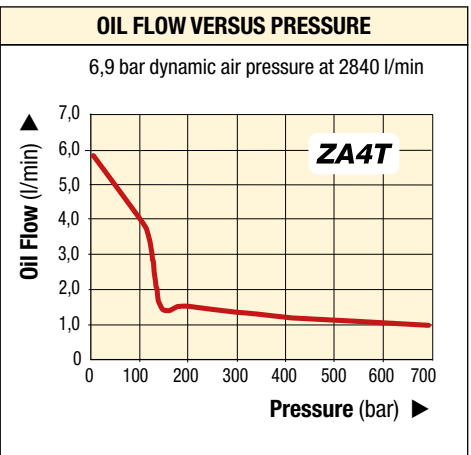
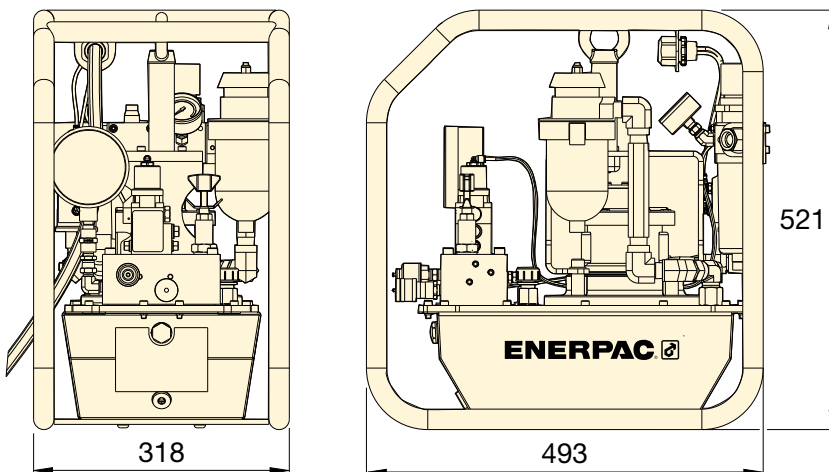
1,0 l/min

Air Consumption:

600 - 2840 l/min

Maximum Operating Pressure:

700 bar



Bolting Integrity Software

Enerpac Bolting Integrity Software Solutions play a key role in

implementing and managing an Integrity Program for bolted connections.

The software offers Tool selection, Bolt Load calculations and Tool pressure settings, as well as, a combined Application Data Sheet and Joint Completion Report.

Custom Joint information can also be entered.

Maximum Operating Pressure (bar)	Model Number	Reservoir Capacity (litres)	Output Flow Rate (l/min)			Dynamic Air Pressure Range (bar)	Air Consumption (l/min)	Weight (kg)
			7 bar	350 bar	700 bar			
700	ZA4208TX-QROP	6,8	5,7	1,3	1,0	4,1-6,9	600-2840	52