

▼ Shown: GA45GC



- 45° angled gauge improves visibility
- Slim and narrow design
- Easy to fit in a broad range of systems
- Maximize controlled load movement
- Glycerin dampened gauge with dual scale
- Enerpac High-Flow female coupler CR400.

## GA45GC, AMGC Series

Connection 1:  
**3/8" NPTF male**

Connection 2:  
**CR400 coupler**

Maximum Operating Pressure:  
**700 bar**



### 4-Way Manifold assembly complete with gauges

Offering ease of portability and convenience with an ergonomic robust design, ready for use.

Enerpac's CR400 female couplers on all ports allow the manifold to be quickly connected to up to 4 cylinders. Glycerine filled, 700 bar gauges allow operators to work safely. All protected by the robust protection frame.

Manifold Type (Used for cylinders)	Model Number
4x Single-acting	<b>AMGC41</b>
4x Double-acting	<b>AMGC42</b>

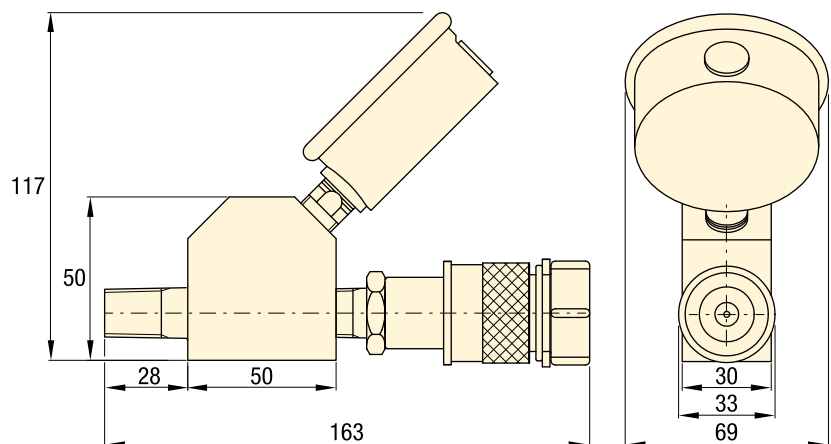


### Power Box

Portable tool box with hand pump, GA45GC gauge adaptor assembly, hose and RC, RSM, RCS-cylinder, WR5 wedgie or LW16-lifting wedge.

Page: **65**

▼ The Gauge Adaptor Assembly is the window to your system; allows easy reading of the pressure for safe operation.



Model Number	Gauge Port (1/4" NPTF)	Male End (NPTF)	Female End (3/8" NPTF)	Gauge Range	
				(bar)	(psi)
<b>GA45GC</b>	G2535L	3/8" -18	CR400	0 - 700	0 - 10.000