



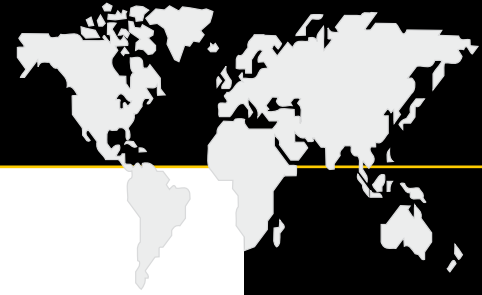
GA45GC

Gauge Adaptor Assembly

45° Angled gauge adaptor improves safe working conditions.



Gauge Adaptor Assembly



▼ GA45GC



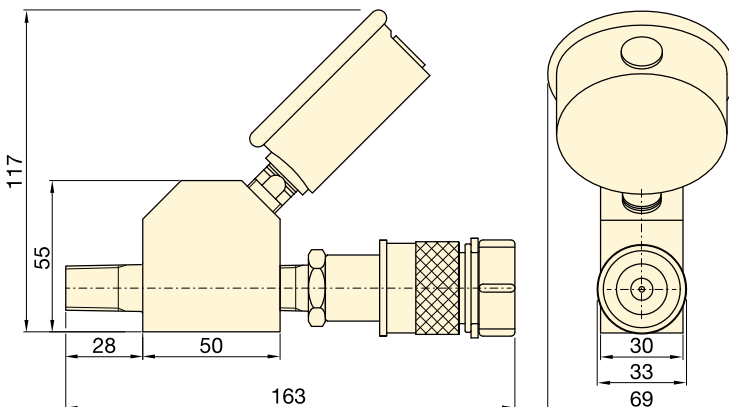
**45° Angled
gauge adaptor
improves
safe working
conditions**

Maximum Operating Pressure:
700 bar / 10.000 psi

Connection 1:
3/8" NPTF male

Connection 2:
CR-400 Coupler

- 45° angled gauge improves visibility
- Slim and narrow design
- Easy to fit in a broad range of systems
- Maximize controlled load movement
- Glycerin dampened gauge with dual scale
- Enerpac High Flow female coupler.



▼ *The Gauge Adaptor Assembly is the window to your system; allows easy reading of the pressure for safe operation.*



Your Enerpac Distributor: