

▼ Shown: GT-Series Bolt Tensioners



## Accurate & Reliable Extreme Performance Bolt Tensioner



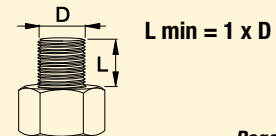
### Tensioning Pumps, Hoses and Couplers

High pressure pumps, hoses and fittings matched for use with the Enerpac GT-Series Bolt Tensioning system.

Page: 59



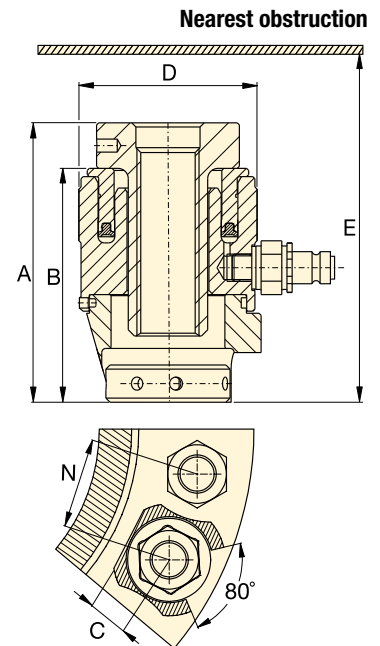
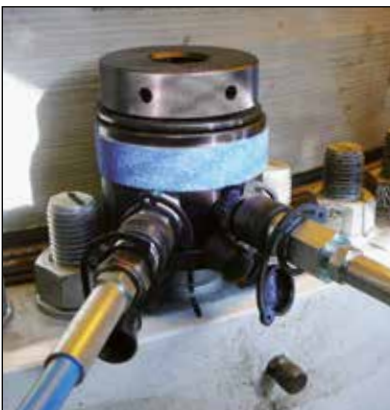
### Minimum Stud Protrusion




Page: 76


- Six load cells from M16 to M95 or from 5/8" to 3 3/4"
- Twin ports for quick connection of multiple tools
- Only one size of bridge per size of load cell
- Detachable and rotational bridge simplifies tool positioning
- Full bridge window
- Piston stroke indicator
- Black surface treatment protects against corrosion
- Anti-slip grip for more secure handling
- Universal and multi-use tool.

▼ GT-Series bolt tensioner used for tightening blade bolts of wind turbine.



Bolt Range		Load Cell and Bridge Reference	Technical Data			Dimensions (mm)				 (kg)
(mm)	(inch)		Cylinder Effective Area (mm <sup>2</sup> )	Load Capacity (kN)	Stroke (mm)	A	B	C	D	
M16-M30	5/8"-1"	<b>GT1-LCB</b>	1495,4	224,3	10	135	113	27	86	3,0
M30-M39	1 1/8"-1 1/2"	<b>GT2-LCB</b>	2677,2	401,5	10	136	111	35	107	4,1
M39-M52	1 1/2"-2"	<b>GT3-LCB</b>	5127,1	768,9	10	160	126	46	138	7,0
M52-M68	2"-2 1/2"	<b>GT4-LCB</b>	9782,1	1466,9	10	180	141	62	174	12,2
M68-M80	2 1/2"-3 1/4"	<b>GT5-LCB</b>	15079,7	2261,4	10	202	157	78	210	18,7
M80-M95	3 1/4"-3 3/4"	<b>GT6-LCB</b>	18972,1	2845,1	10	219	173	82	240	27,8

# Hydraulic Bolt Tensioners

Load Cell and Bridge Reference	Thread Size	Adaptor Kit Model Number	Pitch Between Bolts N (mm)	Minimum Height E (mm)	 (kg)
GT1-LCB (224 kN)	M16 x 2	GT1PM-NRS01620	55	169	1,6
	M18 x 2,5	GT1PM-NRS01825	56	165	1,5
	M20 x 2,5	GT1PM-NRS02025	57	165	1,4
	M24 x 3	GT1PM-NRS02430	59	164	1,3
	M27 x 3	GT1PM-NRS02730	62	167	1,2
	M30 x 3,5	GT1PM-NRS03035	65	170	1,0
	5/8"-11UN	GT1P-NRS0625U11	55	169	1,6
	3/4"-10UN	GT1P-NRS0750U10	56	165	1,4
	7/8"-9UN	GT1P-NRS0875U09	59	164	1,3
	1"-8UN	GT1P-NRS1000U08	62	167	1,2
1 1/8"-8UN	GT1P-NRS1125U08	65	170	1,0	
GT2-LCB (401 kN)	M30 x 3,5	GT2PM-NRS03035	71	173	2,6
	M33 x 3,5	GT2PM-NRS03335	74	174	2,4
	M36 x 4	GT2PM-NRS03640	77	177	2,2
	M39 x 4	GT2PM-NRS03940	80	180	1,9
	1 1/8"-8UN	GT2P-NRS1125U08	71	173	2,6
	1 1/4"-8UN	GT2P-NRS1250U08	74	174	2,4
	1 3/8"-8UN	GT2P-NRS1375U08	77	177	2,2
1 1/2"-8UN	GT2P-NRS1500U08	80	180	2,0	
GT3-LCB (769 kN)	M39 x 4	GT3PM-NRS03940	92	212	5,7
	M42 x 4,5	GT3PM-NRS04245	96	215	5,4
	M45 x 4,5	GT3PM-NRS04545	99	218	5,0
	M48 x 5	GT3PM-NRS04850	105	216	4,7
	M52 x 5	GT3PM-NRS05250	108	220	4,2
	1 1/2"-8UN	GT3P-NRS1500U08	92	212	5,7
	1 5/8"-8UN	GT3P-NRS1625U08	96	215	5,3
	1 3/4"-8UN	GT3P-NRS1750U08	99	218	5,0
	1 7/8"-8UN	GT3P-NRS1875U08	105	216	4,6
2"-8UN	GT3P-NRS2000U08	108	220	4,2	
GT4-LCB (1467 kN)	M52 x 5	GT4PM-NRS05250	118	240	10,7
	M56 x 5,5	GT4PM-NRS05655	121	244	10,1
	M60 x 5,5	GT4PM-NRS06055	124	248	9,4
	M64 x 6	GT4PM-NRS06460	127	252	8,8
	M68 x 6	GT4PM-NRS06860	130	256	8,1
	2"-8UN	GT4P-NRS2000U08	118	240	10,7
	2 1/4"-8UN	GT4P-NRS2250U08	121	244	9,7
2 1/2"-8UN	GT4P-NRS2500U08	127	252	8,5	
GT5-LCB (2261 kN)	M68 x 6	GT5PM-NRS06860	145	278	17,3
	M72 x 6	GT5PM-NRS07260	149	282	16,4
	M76 x 6	GT5PM-NRS07660	152	286	15,5
	M80 x 6	GT5PM-NRS08060	162	293	14,6
	2 1/2"-8UN	GT5P-NRS2500U08	144	274	17,8
	2 3/4"-8UN	GT5P-NRS2750U08	149	282	16,3
	3"-8UN	GT5P-NRS3000U08	152	286	14,8
3 1/4"-8UN	GT5P-NRS3250U08	162	293	13,1	
GT6-LCB (2845 kN)	M80 x 6	GT6PM-NRS08060	169	312	22,3
	M85 x 6	GT6PM-NRS08560	169	312	21,0
	M90 x 6	GT6PM-NRS09060	178	317	19,4
	M95 x 6	GT6PM-NRS09560	181	322	18,0
	3 1/4"-8UN	GT6P-NRS3250U08	169	312	20,7
	3 1/2"-8UN	GT6P-NRS3500U08	178	317	18,8
3 3/4"-8UN	GT6P-NRS3750U08	181	322	16,8	

## GT Series



Bolt Range:

**M16 - M95, 5/8" - 3 3/4"**

Maximum Load:

**2845 kN**

Maximum Operating Pressure:

**1500 bar**



### How to Order

To provide maximum flexibility Load Cell and Bridges are ordered separately from Adaptor Kits.

Example, to order a complete tensioner for a M36 x 4 threaded bolt order:

1 x Load Cell and Bridge: **GT2-LCB**

1 x Adaptor Kit: **GT2PM-NRS03640**



### Bolting Integrity Software

A comprehensive on-line software solution for Bolted Joint integrity at [www.enerpac.com](http://www.enerpac.com)

Integral databases hold data for:

- BS1560, MSS SP44, API 6A and 17D flanged joints
- Common gasket materials and configurations
- Comprehensive range of bolt materials
- Comprehensive range of lubricants
- Enerpac's Controlled Bolting Equipment including: Torque Multipliers, Hydraulic Wrenches and Bolt Tensioning tools.

Custom Joint information can also be entered.

The software offers Tool selection, Bolt Load calculations and Tool pressure settings, as well as, a combined Application data sheet and Joint completion report.