

4-Way Directional Control Valves

▼ Shown from left to right: VM43, VE43, VC-20L



For Double-Acting Cylinder Control



Valving Help

See Basic System Set-Up and Valve Information in our 'Yellow Pages'

Page: 122



User Adjustable Relief Valve

All VM- and VE-Series have a user adjustable relief valve to allow the operator to

easily set the optimum working pressure.

- User adjustable relief valves on VM- and VE-Series allow the operator to easily set the working pressure for each application
- All VM- and VE-Series valves feature several gauge ports for "system", A and B port pressure monitoring
- All valves (except VC-Series) include manifold with built-in "System Check" feature, for more precise pressure holding and improved system control
- Manual or solenoid operation

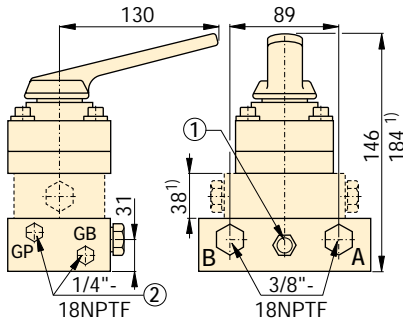
▼ In a fine control 120 ton hydraulic system for lifting a string of anchors in a subsea pipeline project, the VC-4 remote valve provides safety shutdown capacity on the ship's deck.



Valve Operation	Valve Location	Valve Type
Manual	Pump Mounted	4-way, 3-position, Tandem Center
Manual	Pump Mounted	4-way, 3-position, Tandem Center, Locking
Manual	Remote Mounted	4-way, 3-position, Tandem Center,
Manual	Remote Mounted	4-way, 3-position, Tandem Center, Locking ¹⁾
Manual	Remote Mounted	4-way, 3-position, Closed Center
Manual	Remote Mounted	4-way, 3-position, Closed Center, Locking ¹⁾
Solenoid 24 VDC	Pump Mounted	4-way, 3-position, Tandem Center

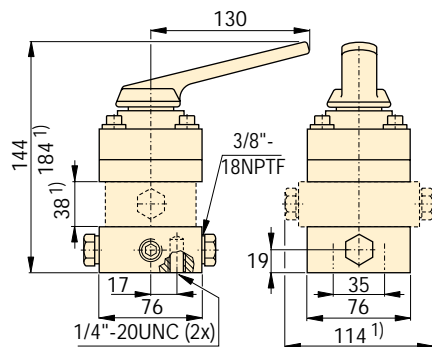
¹⁾ with pilot-operated check valves.

4-Way Directional Control Valves

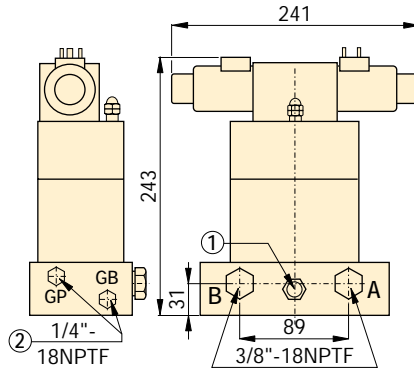


VM43, VM43L
¹⁾ for VM43L only

- ① adjustable relief valve
- ② auxiliary ports



VC-4, VC-4L, VC-20, VC-20L
¹⁾ VC-4L and VC-20L only



VE43

VC
 VE
 VM
 Series



Flow Capacity:
17 l/min

Maximum Operating Pressure:
700 bar



Fittings

For additional fittings see the fitting page of the System Components section.

Page: 129



Locking Valves

For applications requiring positive load holding, VM- and VC-Series valves are available with a pilot-operated check valve. This provides hydraulic locking of the load until the valve is shifted into the retract position. To order this feature, place an "L" at the end of the model number.



Pendants for VE-Series Solenoid Valves

When ordering Enerpac VE-Series solenoid valve, the pendant must be ordered separately. Pendant connection to be plugged into electric box of pump.

To be used with solenoid valve:	Pendant Model Nr.
VE43	ZCP-3

Model Number	Hydraulic Symbol	Schematic Flowpath			Weight (kg)
		Advance	Hold	Retract	
VM43					3,1
VM43L					4,9
VC-4 ²⁾					2,9
VC-4L ²⁾					4,7
VC-20 ²⁾					2,9
VC-20L ²⁾					4,7
VE43					9,3

²⁾ VC-Series remote valves include Return line kit VRL-10.