

▼ ZE2208ME, ZE2-Series, Electric Pump



- 0,56 kW induction motor for long life and quiet operation
- 71 to 79 dBA across the pressure range
- 6,8 liter, steel reservoir offers capacity and cool operation for wide range of applications
- IP54 protection
- Heavy duty bearings extend pump life by reducing heat, improving lubrication and reducing wear
- Replaceable piston check valves increase service life of major pump components
- VE32D solenoid dump valve model available
- Pendant and manual control options for ease of use.

Durable, reliable, easy to use



Gauges

Minimize the risk of overloading and ensure long, dependable service from your equipment. Refer to the System Components

Section for a full range of gauges.

Page: 127



Hoses

Enerpac offers a complete line of high quality hydraulic hoses. To ensure the integrity of your system, specify only Enerpac hydraulic hoses.

Page: 128



Speed Chart

To determine how a specific pump will operate your cylinder, see the Pump-Cylinder Speed Chart in the 'Yellow Pages'.

Page: 405





ZE2-Series, Electric Pumps

The ZE2-Series is part of the proven Enerpac ZE-Series and utilizes many of the same design elements as the larger pumps in the family.

The 0,56 kW induction motor enables productive flow rates, long cycle life and quiet operation. Combined with the efficient, robust and easy to service pumping element the ZE2 is ideal for manufacturing and shop environments.

Multiple valve and control options provide the flexibility to match the pump to a wide range of pressing, punching and other operations.

Compare the ZE2 to the other pumps in the ZE-Series and determine the best pump for the application.

ZE2 Series



Reservoir Capacity:

6,8 litres

Flow at Rated Pressure:

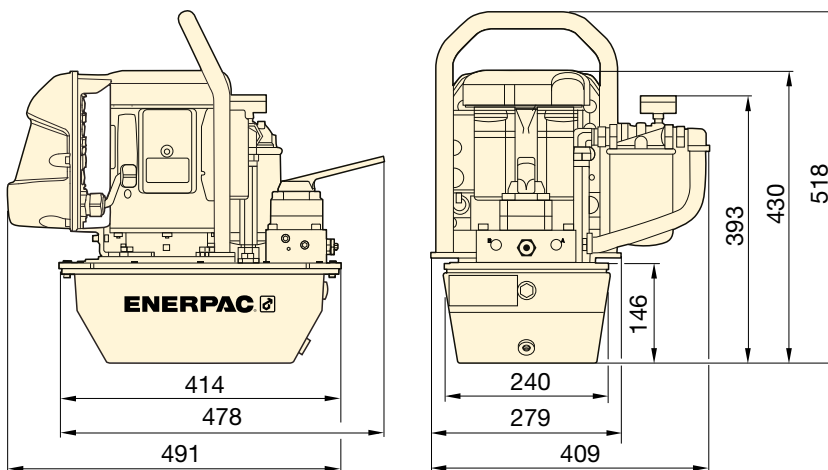
0,27 l/min

Motor Size:

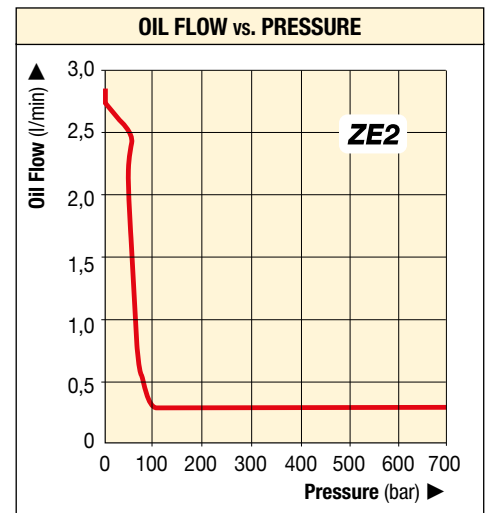
0,56 kW

Maximum Operating Pressure:

700 bar



ZE2 with Optional Return Line Filter



Used with Cylinder *	Valve Hold Function	Useable Oil Capacity (Litres)	Model Number ¹⁾ Two-Stage Pump	Oil Flow Rate at 50 Hz (l/min)		Valve Type	Valve Operation	Motor Voltage (VAC)	Motor Size (kW)	Sound Level (dBA)	Weight (kg)
				7 bar	700 bar						
S/A		6,8	ZE2108DE (B, I)	2,7	0,27	VE32D	Solenoid w/ Pendant	230	0,56	79	42,4
S/A		6,8	ZE2208ME (B, I) ²⁾	2,7	0,27	VM32	Manual w/o Pendant	230	0,56	79	37,8
S/A	●	6,8	ZE2308ME (B, I) ²⁾	2,7	0,27	VM33	Manual w/o Pendant	230	0,56	79	38,3
D/A	●	6,8	ZE2408ME (B, I) ²⁾	2,7	0,27	VM43	Manual w/o Pendant	230	0,56	79	38,3
S/A		6,8	ZE2208PE (B, I)	2,7	0,27	VM32	Manual w/ Pendant	230	0,56	79	41,3
S/A	●	6,8	ZE2308PE (B, I)	2,7	0,27	VM33	Manual w/ Pendant	230	0,56	79	41,7
D/A	●	6,8	ZE2408PE (B, I)	2,7	0,27	VM43	Manual w/ Pendant	230	0,56	79	41,7
S/A	●	6,8	ZE2308EE (B, I)	2,7	0,27	VE33	Solenoid w/ Pendant	230	0,56	79	49,0
D/A	●	6,8	ZE2408EE (B, I)	2,7	0,27	VE43	Solenoid w/ Pendant	230	0,56	79	49,0

* S/A = Single Acting, D/A = Double Acting

¹⁾ "B" suffix model numbers shown are 115 VAC, 1-phase, 50/60 Hz, CE compliant
 "I" indicates pump is available in 208-240V, 1-phase, 50/60 Hz with NEMA 6/15 plug, CE compliant
 "E" indicates pump is available in 208-240V, 1-phase, 50/60 Hz with European plug, CE compliant

¹⁾ All models can be ordered with the following Factory Installed Accessories/Options:

F = with Return Line Filter, **G** = with 0-1000 bar gauge (ø 63,5 mm), **S** = Single-stage pump unit

²⁾ Models can be ordered with Pressure Switch (P)