

# Digital, Hydraulic Pressure Gauges

▼ Gauge shown: **DGR-2**



- Rated for system pressure up to 1380 bar
- Displays in multiple units: psi, bar, mPA, kg/cm<sup>2</sup> (user selectable)
- Zero reset – ensures that gauge reads actual system pressure
- Batteries included, condition indicator on readout
- IP65 rated case design
- Shut off selectable – menu driven
- UL listed, CE and RoHS compliant.

## DGR Series

Pressure Range:

**0 - 1380 bar**

Voltage:

**3 VDC** (battery)

Accuracy, % of full scale:

**± 0,25%**



### Back-lit Readout

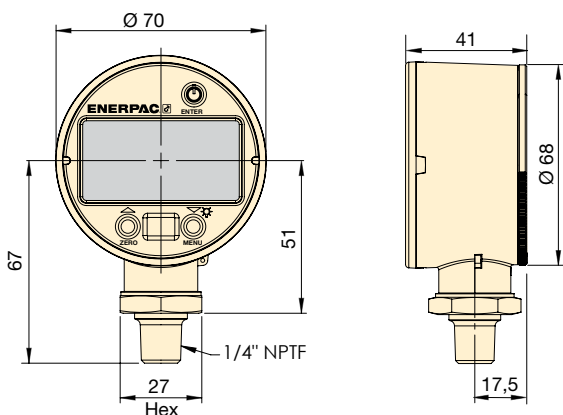
Back-lit readout allows easy reading in less than ideal lighting.



### Gauge Adaptor

For easy gauge installation into almost any system, Enerpac offers a complete line of gauge adaptors.

Page: 126



▼ Greater accuracy and easier to read: enhance your ability to monitor and control hydraulic system pressure up to 1380 bar.



Pressure Rating (bar)		Model Number	Pressure Rating (psi)		Pressure Rating (MPa)		Pressure Rating (Kg/cm <sup>2</sup> )		Weight (kg)
Range	Interval		Range	Interval	Range	Interval	Range	Interval	
0 - 1380	0,7	<b>DGR-2</b>	0-20.000	1	0-140	0,01	0-1400	0,07	0,23