

▼ From left to right: P-142ALSS, P-392ALSS, V-152NV, V-66NV, RC-256NV, RC-106NV, RC-53NV



## Maximum Corrosion Resistance



### Applications

For use in wet environments such as food processing, pulp and paper, mining, construction and applications in high temperature or in welding areas.


- Corrosion resistant, nickel-plated valves and cylinders
- Stainless steel pump inserts will not corrode
- Viton® Seals provide heat and chemical resistance
- Anodized aluminum pump reservoirs and plastic encapsulated pump bodies resist wet environments
- Two-speed operation reduces pump handle strokes 78% compared to single-speed pumps
- Pump handles lock for easy carrying.




### Hoses

Enerpac offers a complete line of high quality hydraulic hoses. To ensure the integrity of your system, specify only Enerpac hydraulic hoses.


Page: **116**

CYLINDER CHART		Cylinder Capacity	Stroke	Model Number	Oil Capacity	Pressure Rating	Collapsed Height	Extended Height	Outside Diameter
		ton (kN)	(mm)		(cm <sup>3</sup> )	(bar)	A (mm)	B (mm)	D (mm)
		5 (45)	76	RC-53NV	50	700	165	241	38
		10 (101)	51	RC-102NV	78	700	121	175	57
		10 (101)	156	RC-106NV	225	700	247	403	57
		25 (232)	156	RC-256NV	528	700	273	431	85

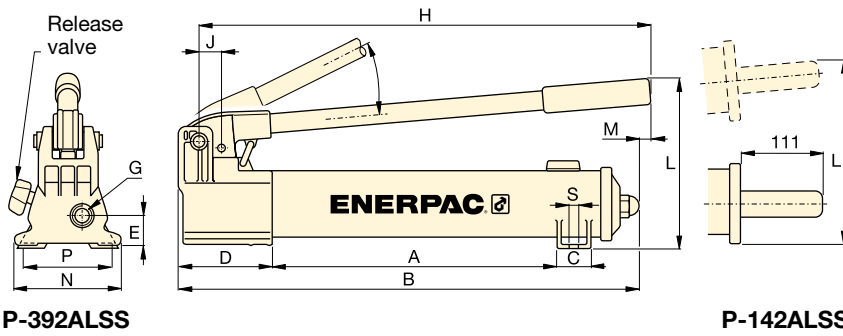
  

HAND PUMP CHART		Pump Type	Oil Capacity	Model Number	Pressure Rating	Oil Displacement per Stroke	Port Dimension	Piston Stroke
			(cm <sup>3</sup> )		(bar)	(cm <sup>3</sup> )	(NPTF)	(mm)
		Two Speed	327	P-142ALSS	14 / 700	3,62 / 0,90	1/4"-18	12,7
			901	P-392ALSS	14 / 700	11,26 / 2,47	3/8"-18	25,4

VALVE CHART*		Valve Type	Model Number	Function	Pressure Rating (bar)
		Manual Check Valve	V-66NV *	Load holding with cylinders	700
		Pressure Relief Valve	V-152NV *	Limits system pressure, ± 3% repeatability	55 -700

\* See page 134 for valve function information of standard model products.



**P-392ALSS**

**P-142ALSS**

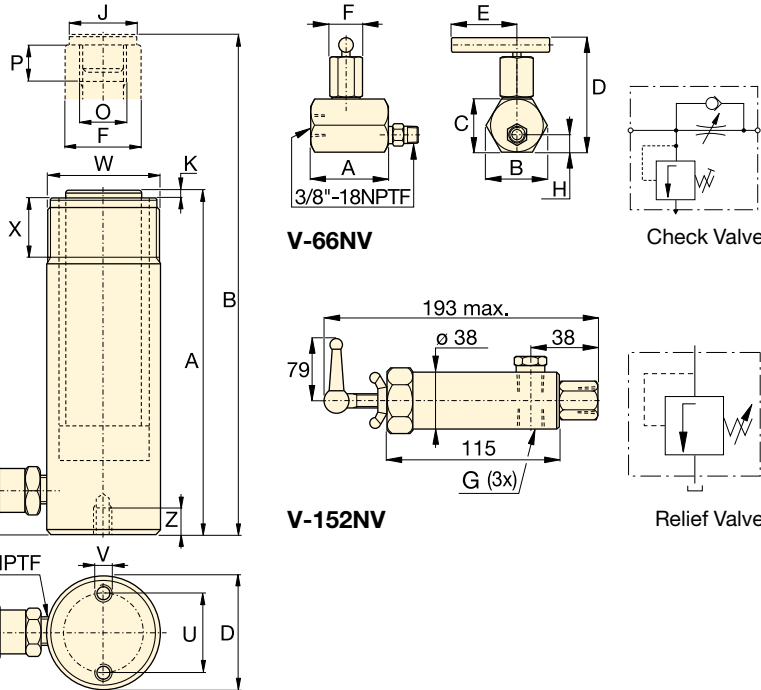
## RC P V Series



Cylinder Capacity:  
**5 - 25 ton**

Stroke:  
**54 - 158 mm**

Maximum Operating Pressure:  
**700 bar**



**V-66NV**

Check Valve

**V-152NV**

Relief Valve



### Multifluid Hand Pumps

**MP-Series** corrosion resistant hand pumps for low pressure filling and high pressure testing applications, suitable for a wide range of fluids.

Page: **68**

**RC-102NV, RC-106NV, RC-256NV**

Plunger Diam. F (mm)	Base to Advance Port H (mm)	Saddle Diam. J (mm)	Saddle Protrusion from Plngr. K (mm)	Plunger Internal Thread O	Plunger Thread Length P (mm)	Base Mounting Holes			Collar Thread W	Collar Thread Length X (mm)	Weight (kg)	Model Number
						Bolt Circle U (mm)	Thread V	Thrd. Depth Z (mm)				
25,4	19	25	6	3/4"-16 UN	14	25	1/4"-20UN	14	1 1/2"-16	28	1,5	<b>RC-53NV</b>
38,1	19	35	6	1"-8 UN	19	39	5/16"-18UN	12	2 1/4"-14	28	2,3	<b>RC-102NV</b>
38,1	19	35	6	1"-8 UN	19	39	5/16"-18UN	12	2 1/4"-14	28	4,4	<b>RC-106NV</b>
57,2	25	50	10	1 1/2"-16 UN	25	58	1/2"-13UN	19	3 5/16"-12	49	10,0	<b>RC-256NV</b>

Pump Dimensions (mm)													Weight (kg)	Model Number
A	B	C	D	E	G	H	J	L	M	N	P	S		
185	336	28	85	28	1/4"-18 NPTF	319	19	143	-	95	80	7	2,0	<b>P-142ALSS</b>
344	533	36	99	33	3/8"-18 NPTF	522	30	177	16	120	-	-	4,1	<b>P-392ALSS</b>

Valve Dimensions (mm)									Weight (kg)	Model Number
A	B	C	D	E	F	G	H			
88,9	57,1	50,8	101,6	50,8	20,8	3/8"-18 NPTF	25,4	1,8	<b>V-66NV *</b>	
115,1	-	38,1	-	79,2	193,5	3/8"-18 NPTF	38,9	1,6	<b>V-152NV *</b>	