

▼ Shown from left to right: P-25, P-51, P-18



## When Less Than 700 Bar is All You Need



### Gauges

Minimize the risk of overloading and ensure long, dependable service from your equipment. Refer to the System Components section for a full range of gauges.

Page: 124



### Hoses

Enerpac offers a complete line of high quality hydraulic hoses. To ensure the integrity of your system, specify only genuine Enerpac hydraulic hoses.

Page: 116

- P-25 and P-50 pump oil in both forward and reverse handle movement improving overall efficiency, ideal when mounting space is restricted
- External load-release valve
- Internal pressure-relief valve for overload protection
- P-51 can be operated in horizontal and vertical position with pump head and oil outlet facing downwards.

▼ P-18 hand pump used for locking the rotating table for marble polishing.



Pump Type	Usable Oil Capacity (cm <sup>3</sup> )	Model Number	Pressure Rating (bar)	Oil Displacement per Stroke (cm <sup>3</sup> )	Max. Handle Effort (kg)
Single-Speed	360	P-18	200	2,46	16
	3277	P-25	175	9,50	27
	3277	P-50	350	4,75	27
	819	P-51	200	4,10	27

# Low Pressure Hand Pumps

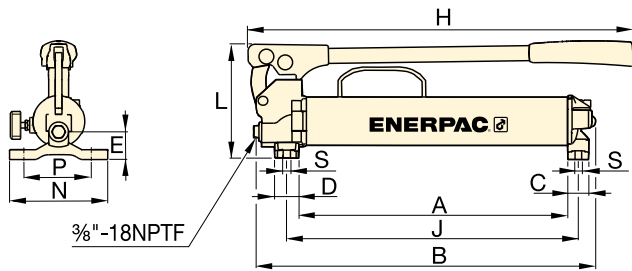
## P Series



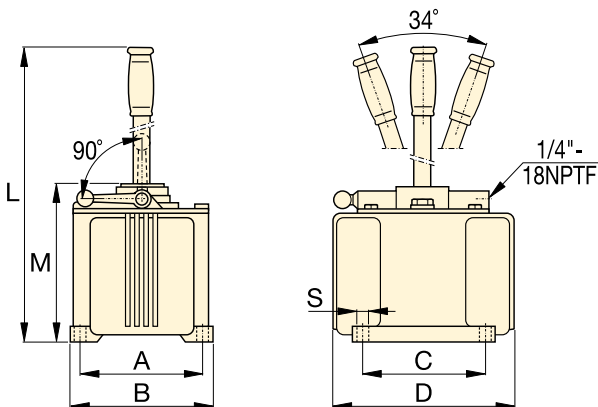
Reservoir Capacity:  
**360 - 3277 cm<sup>3</sup>**

Flow at Rated Pressure:  
**2,46 - 9,50 cm<sup>3</sup>/stroke**

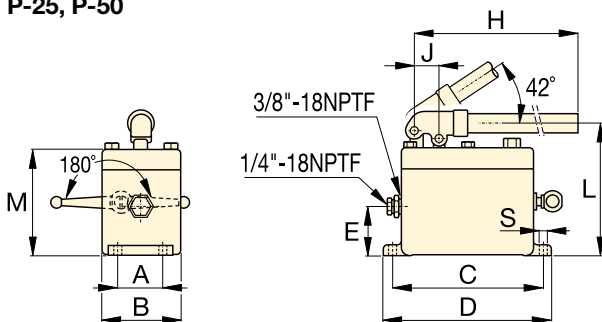
Maximum Operating Pressure:  
**175 - 350 bar**



**P-18**



**P-25, P-50**



**P-51**



### MP-Series Multifluid Hand Pumps

Corrosion resistant hand pumps for low pressure filling and high pressure testing applications, suitable for a wide range of fluids.

Page: **68**

▼ P-51 hand pumps used with RC-series cylinders to keep wooden layers under pressure during lamination of plates.



Piston Stroke	Dimensions (mm)												Model Number
	(mm)	A	B	C	D	E	H	J	L	M	N	S	
25,4	221	316	30	35	37	385	254	163	–	140	8,4	5,0	<b>P-18</b>
38,1	152	173	152	240	–	–	–	684	200	–	10	16,3	<b>P-25</b>
38,1	152	173	152	240	–	–	–	684	200	–	10	16,8	<b>P-50</b>
25,4	52	92	181	200	57	610	29	160	129	–	9	5,4	<b>P-51</b>