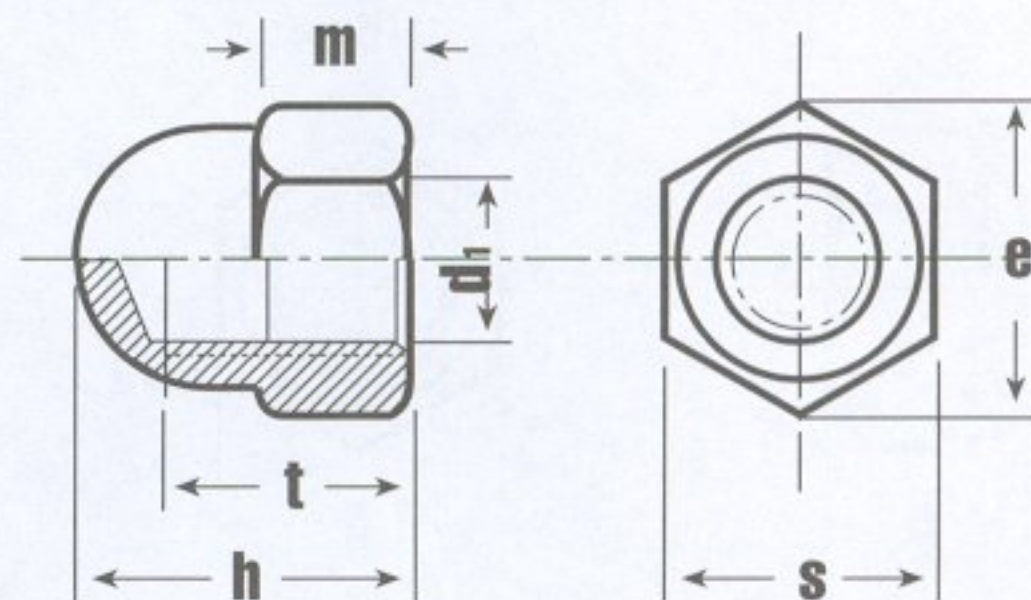


DIN 1587**A2****HEXAGON DOMED CAP NUT****SECHSKANT-HUTMUTTERN, HOHE FORM****ÉCROUS BORGNES À CALOTTE HEXAGONAUX, TYPE HAUT****TUERCAS HEXAGONALES DE SOMBRERETE, TIPO ALTO**

d₁	h	t_{min.}	m_{max.}	s	e_{min.}
M3	6	3.6	2.4	5.5	6.08
M4	8	5.26	3.2	7.0	7.66
M5	10	7.21	4.0	8.0	8.79
M6	12	7.71	5.0	10.0	11.05
M8	15	10.65	6.5	13.0	14.38
M10	18	12.65	8.0	17.0	18.9
M12	22	15.65	10.0	19.0	21.1
M14	25	17.65	11.0	22.0	24.49
M16	28	20.58	13.0	24.0	26.75
M18	32	24.55	15.0	27.0	29.65
M20	34	25.58	16.0	30.0	32.95
M22	39	28.58	18.0	34.0	35.03
M24	42	30.50	19.0	36.0	39.55
M27	47	35.00	20.0	41.0	45.20
M30	52	39.00	24.0	46.0	50.85