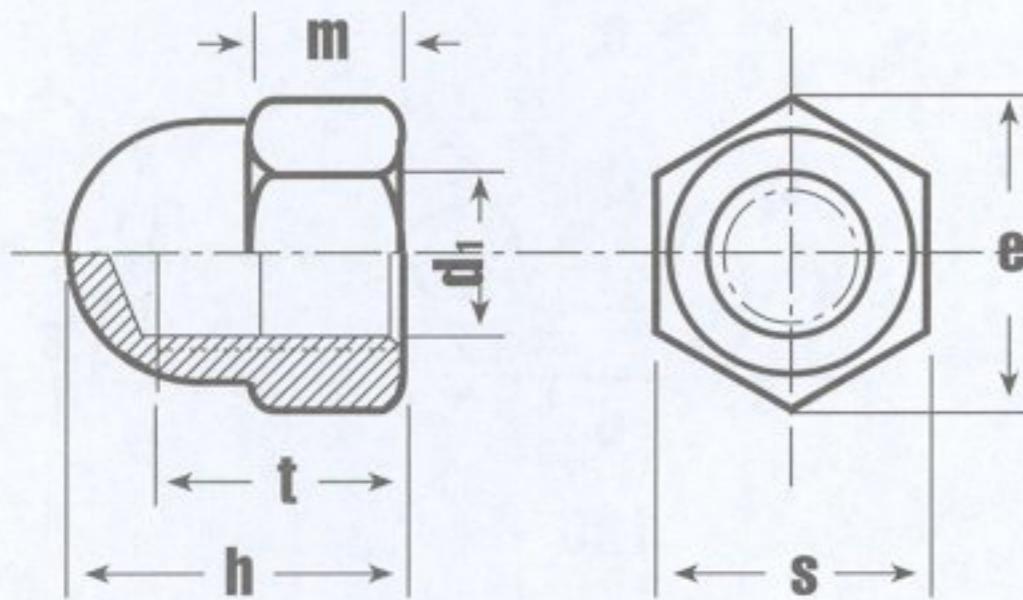


HEXAGON DOMED CAP NUT

A4

DIN 1587



SECHSKANT-HUTMUTTERN, HOHE FORM

ÉCROUS BORGNES À CALOTTE HEXAGONAUX, TYPE HAUT

TUERCAS HEXAGONALES DE SOMBRERETE, TIPO ALTO

d_1	h	t min.	m max.	s	e min.
M3	7	3.60	2.4	5.5	6.08
M4	8	5.26	3.2	7.0	7.66
M5	10	7.21	4.0	8.0	8.79
M6	12	7.71	5.0	10.0	11.05
M8	15	10.65	6.5	13.0	14.38
M10	18	12.65	8.0	17.0	18.9
M12	22	15.65	10.0	19.0	21.1
M14	25	17.65	11.0	22.0	24.49
M16	28	20.58	13.0	24.0	26.75
M18	32	24.55	15.0	27.0	29.65
M20	34	25.58	16.0	30.0	32.95
M22	39	28.58	18.0	34.0	35.03
M24	42	30.50	19.0	36.0	39.55
M27	47	35.00	20.0	41.0	45.20
M30	52	39.00	24.0	46.0	50.85