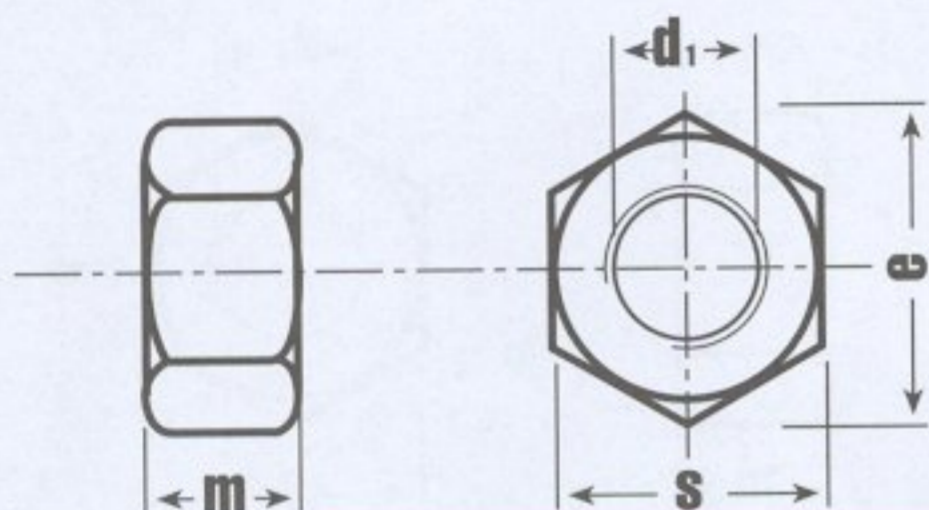


HEXAGON FULL NUT UNC

A2

ANSI/ASME B18.2.2
BS1768/BS1981



SECHSKANTMUTTERN UNC

ÉCROUS HEXAGONAUX UNC

TUERCAS HEXAGONALES UNC

d_1	m max.	e max.	s max.	STANDARD
2/56"	0.066	0.217	0.188	BS1981
4-40	0.098	0.289	0.250	BS1981
6-32	0.114	0.361	0.313	BS1981
8-32	0.130	0.397	0.344	BS1981
10-24	0.130	0.433	0.375	BS1981
12-24	0.161	0.505	0.438	BS1981
1/4"	0.226	0.505	0.438	BS1768
5/16"	0.273	0.577	0.500	BS1768
3/8"	0.337	0.650	0.562	BS1768
7/16"	0.385	0.794	0.688	BS1768
1/2"	0.448	0.866	0.750	BS1768
9/16"	0.469	1.101	0.875	BS1768
5/8"	0.559	1.083	0.938	BS1768
3/4"	0.665	1.299	1.125	BS1768
7/8"	0.776	1.5165	1.312	BS1768
1"	0.887	1.732	1.500	BS1768
1 1/8"	0.999	1.949	1.688	BS1768
1 1/4"	1.094	2.165	1.875	BS1768
1 3/8"	1.206	2.382	2.062	BS1768
1 1/2"	0.317	2.598	2.250	BS1768