

DIN 439

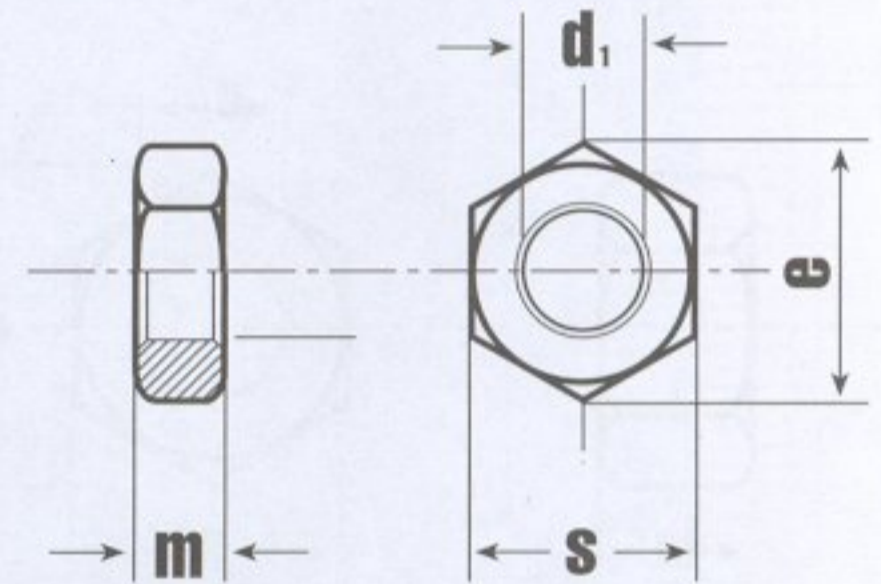
A2

HEXAGON LOCK (THIN) NUT

SECHSKANTMUTTERN, NIEDRIGE FORM

ÉCROUS BAS HEXAGONAUX

TUERCAS HEXAGONALES FORMA BAJA



$d_1$	$e_{\min.}$	$m_{\max.}$	$s$
M2	4.32	1.2	4
M2.5	5.45	1.6	5
M3	6.01	1.8	5.5
M3.5	6.58	2.0	6
M4	7.66	2.2	7
M5	8.79	2.7	8
M6	11.05	3.2	10
M8	14.38	4.0	13
M10	18.90	5.0	17
M12	21.10	6.0	19
M14	24.49	7.0	22
M16	26.75	8.0	24
M18	29.56	9.0	27
M20	32.95	10.0	30
M22	35.03	11.0	34
M24	39.55	12.0	36
M27	45.20	13.5	41
M30	50.85	15.0	46
M33	55.37	16.5	50
M36	60.79	18.0	55