

HEXAGON LOCK (THIN) NUT

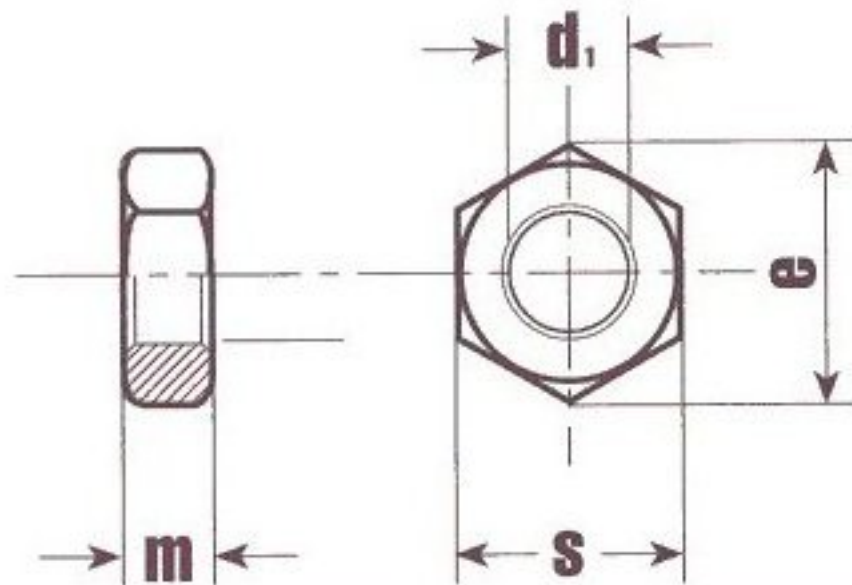
A4

DIN 439

SECHSKANTMUTTERN, NIEDRIGE FORM

ÉCROUS BAS HEXAGONAUX

TUERCAS HEXAGONALES FORMA BAJA



d_1	e min.	m max.	s
M2.5	5.45	1.6	5
M3	6.01	1.8	5.5
M4	7.66	2.2	7
M5	8.79	2.7	8
M6	11.05	3.2	10
M8	14.38	4	13
M10	18.9	5	17
M12	21.1	6	19
M14	24.49	7	22
M16	26.75	8	24
M18	29.56	9	27
M20	32.95	10	30
M22	37.29	11	34
M24	39.55	12	36
M27	45.2	13.5	41
M30	50.85	15	46