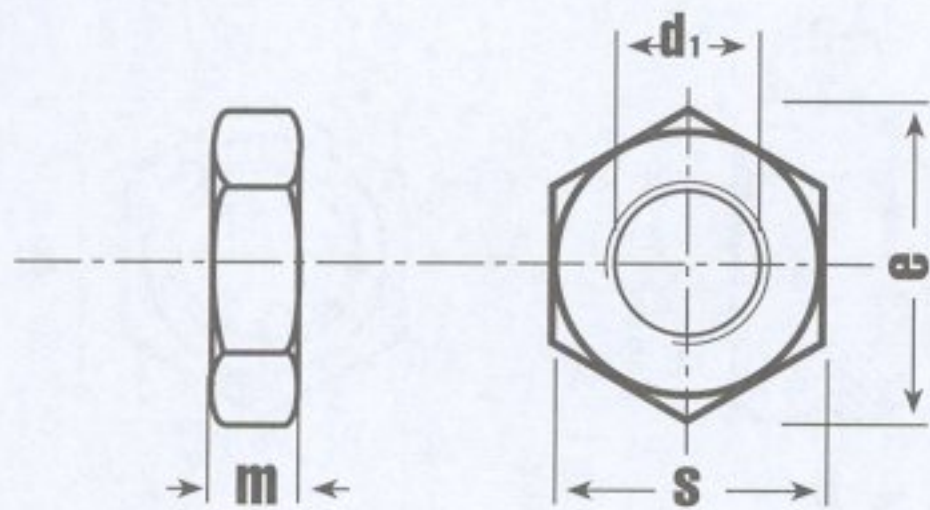


HEXAGON LOCK (THIN) NUT UNC

A4

ANSI/ASME B18.2.2
BS1768/BS1981



SECHSKANTMUTTERN, NIEDRIGE FORM UNC

ÉCROUS BAS HEXAGONAUX UNC

TUERCAS HEXAGONALES FORMA BAJA UNC

d_1	m max.	e max.	s max.	STANDARD
10-24	0.130	0.433	0.375	BS1981
1/4"	0.163	0.505	0.438	BS1768
5/16"	0.195	0.577	0.500	BS1768
3/8"	0.227	0.650	0.562	BS1768
7/16"	0.260	0.794	0.688	BS1768
1/2"	0.323	0.866	0.750	BS1768
9/16"	0.324	1.010	0.875	BS1768
5/8"	0.387	1.083	0.938	BS1768
3/4"	0.446	1.299	1.125	BS1768
7/8"	0.510	1.516	1.312	BS1768
1"	0.575	1.732	1.500	BS1768
1 1/8"	0.639	1.949	1.688	BS1768
1 1/4"	0.751	2.165	1.875	BS1768
1 3/8"	0.815	2.382	2.062	BS1768
1 1/2"	0.880	2.598	2.250	BS1768