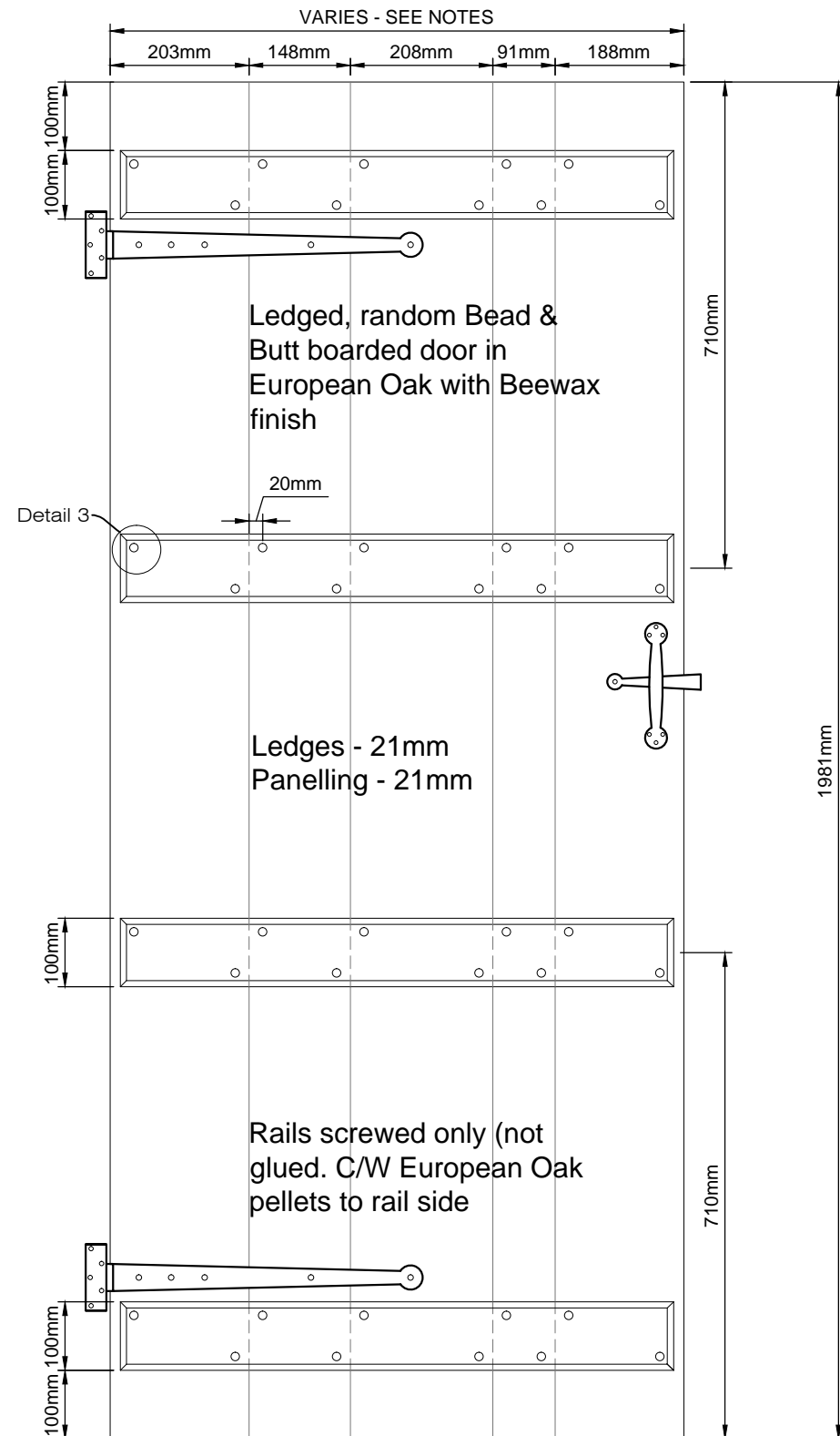
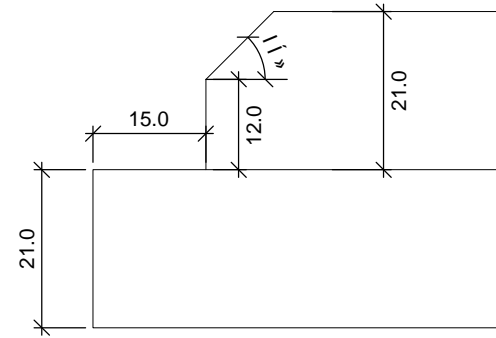


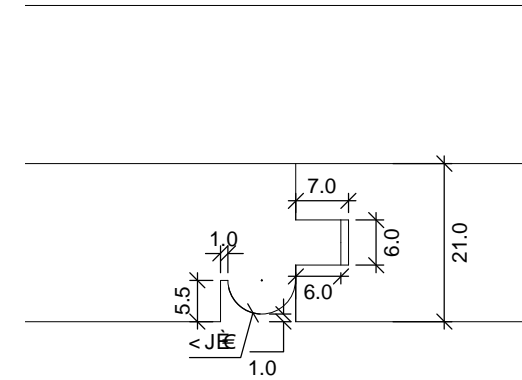
Note: If timber allows finish at 22mm, if not then 21mm



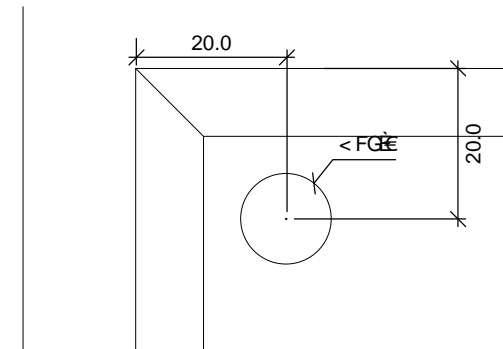
Typical Elevation (838 x 1981 door)



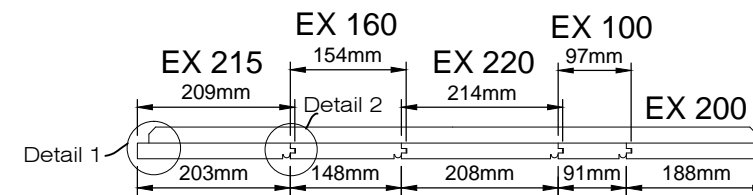
Door Detail 1-1:1



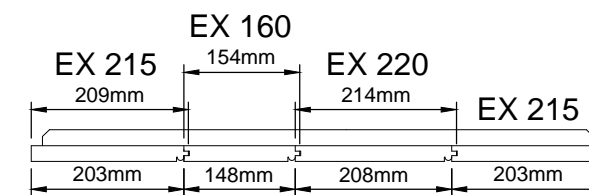
Door Detail 2-1:1



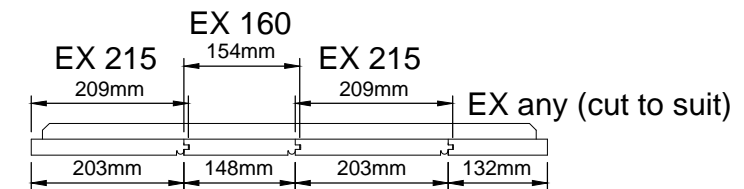
Door Detail 3-1:1



838mm wide door



762mm wide door



686mm wide door

Internal Door Sizes as follows:

- IDG01 - 838 X 1981
- IDG02 - 838 X 1981
- IDG03 - 838 X 1981
- IDG04 - 838 X 1981
- IDG05 - 686 X 1981
- IDG06 - AS TEMPLATE TBC (under stairs)
- IDF06 - 838 X 1981
- IDF07 - 762 X 1981
- IDF08 - 762 X 1981
- IDF09 - 838 X 1981
- IDF10 - 686 X 1981
- IDF11 - 762 X 1981
- IDF12 - 762 X 1981

- IDA13 - As template TBC
- IDA14 - 762 X 1981 - fire door Ex 32mm timber TBC

GENERAL NOTES

REV	DESCRIPTION	DATE
A	Understairs cupboard door added. Ironmongery position shown	20/07/11



A MEMBER OF BURTON GROUP
 BURTON GROUP
 THE HOP UNIT, PROVENDER LANE
 NORTON, FAVERSHAM, KENT
 ME13 0SG
 Tel: 01795 520011 Fax: 01795 520033
 WEBSITE: www.burton-group.co.uk
 EMAIL: info@burton-group.co.uk

Client
 BC3010
 Greenacres

Drawing Title
 Internal Oak Doors

Scale 1 : 10

Date 20-06-11 Drawn By SA

Drawing No. DC5228-01 Rev A