

insty
DESIGNS

11 Capitol Park
Capitol Way
Colindale
London NW9 0EQ

T 020 8 205 8000
F 020 8 205 2000
E info@instyledesigns.co.uk



www.instyledesigns.co.uk

instyle
DESIGNS

BESPOKE
UPHOLSTERED
FURNITURE



From the moment Instyle Designs was founded and established, its motto has always been **"Excellent Customer Service means Excellent Business"**. Whatever size your project, here at instyle designs we offer a unique and tailored service, with your best interests at the core of our organisation.

As leading specialists in manufacturing of bespoke upholstered furniture, we highly pride ourselves in the quality of our work and excellent customer service. With over 30 years of experience in the field, we are devoted to providing you with the highest of quality products at very competitive prices!

We offer a full range design service and with experience in restaurants, night clubs, schools, hotels as well as airports and show homes, we can refurbish your home or business with a new and modern extravagant look.

Our unique design and manufacturing service, together with our skilled craftsmen has enabled us to produce niche products throughout the years.

Our step by step process for the production of products:

- 1 Orders are placed in writing and acknowledged by 1 of our representatives.
- 2 Products then undergo the design service where we use tailor made software to design.
- 3 Production starts from the manufacturing of the frame, where we use wood of the highest quality and can guarantee the frame for 10 years.
- 4 The product then goes through its second phase of manufacturing where the foam and fabric of your choice is applied.
- 5 The product is then offered its finishing touches before delivery is arranged at your designated address.
- 6 The average lead time for this process is usually 4-6 weeks depending on the size and scale of the project.

However large or small your project is, you can rest assured that we will fulfill, and almost certainly exceed your expectations. Should you require any further assistance, please do not hesitate to contact us.



CONTENTS

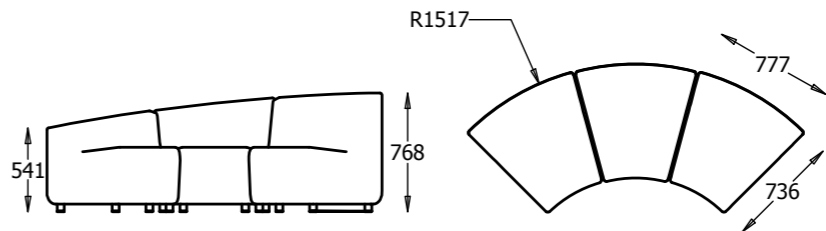
- 2 ARROW CURVE
- 4 ARROW STRAIGHT
- 6 CHOO CHOO
- 8 ESAGONA
- 10 LINK
- 12 LOOP
- 14 POD
- 16 ISLAND
- 18 YOU
- 20 HAYCH
- 22 CONCEPT 6
- 24 ARK
- 26 ELEVATOR
- 28 STEP
- 30 MALIKA
- 31 PASSPORT
- 32 ONDA
- 33 FLIP TOP TABLES
- 34 GALLERY



ARROW CURVE

The **Arrow Curve** is a stylish contemporary seating design, offering a wide range of layouts to any seating areas. The Arrow Curve units are great for meeting area's and break out area's using the low, medium and high backs to create different modern visuals to the eye.

The **Arrow Straight** backs are also compatible with the curve units to create larger seating areas or meeting points.



- 1 - ARROW CURVE LOW
- 2 - ARROW CURVE MEDIUM
- 3 - ARROW CURVE HIGH
- 4 - ARROW ROUND TABLE

Stylish and Contemporary

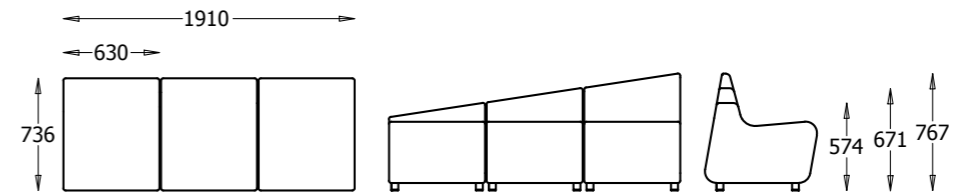


Versatile and Stylish

ARROW STRAIGHT

The **Arrow Straight** can be part of the Arrow Curve design, it is a stylish and contemporary range offering a wide choice of layouts to any seating area.

The **Arrow Straight** units are great for meeting area's and break out area's using the low, medium and high backs to create different modern visuals to the eye. The Arrow Straight is perfect for reception breakout meeting area's and staff rooms.



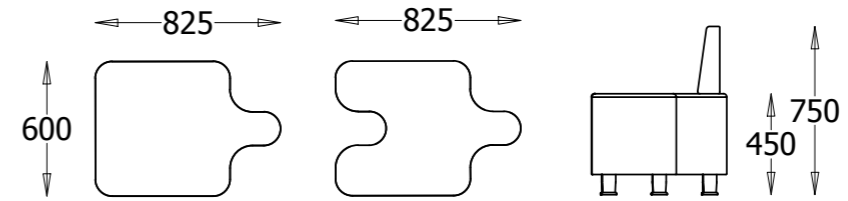
- 1 - ARROW STRAIGHT LOW
- 2 - ARROW STRAIGHT MEDIUM
- 3 - ARROW STRAIGHT HIGH
- 4 - ARROW SQUARE TABLE



CHOO CHOO

The Choo Choo range is a linkable seating design that can be linked in straight lines. Choo Choo is well suited in libraries and breakout area's. The units are dressed in faux leather and can be upholstered in many different fabrics and colours.

The Choo Choo range can be adapted to fit smaller areas if required, different seat heights are available on request. The units are also available with backs if required and timber legs.



1 - CHOO CHOO START
2 - CHOO CHOO MIDDLE
CHOO CHOO BACK SUPPLIED ON REQUEST

Linkable and Adaptable

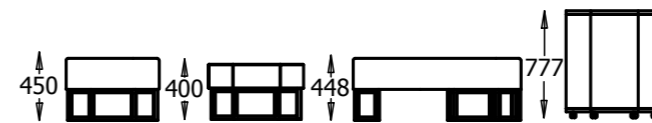
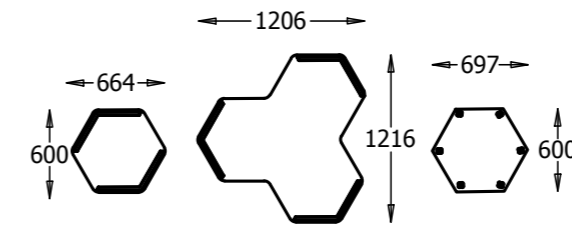


Modular System

ESAGONA

Esagona, a modular system that creates a defining space. The Esagona range is adaptable in many establishments, such as schools, colleges, universities and academies. The hexagon shaped seating consists of seating, tables and shelving units all fitted together to create a modern stylish working environment.

The **Esagona** range is available with different styles of legs on request, multiple coloured laminates and fabrics.

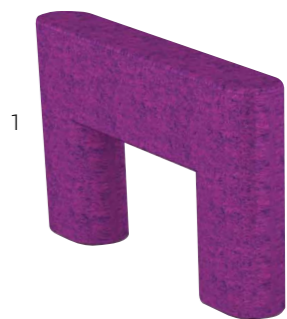
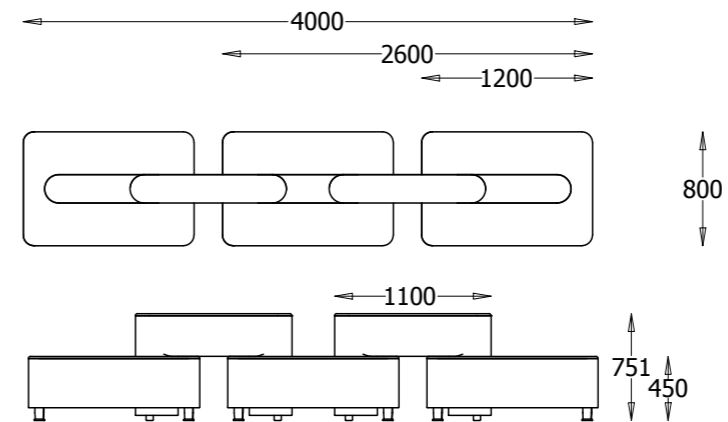


- 1 - ESTAGONA STOOL
- 2 - ESTAGONA SHELF
- 3 - ESTAGONA 3 SEATER
- 4 - ESTAGONA TABLE



LINK

The **Link** range provides an ideal, yet contemporary seating solution, which will transform your area into a comfortable, informal zone - perfect for meeting and greeting key links in the industry.



1 - LINK BACK
2 - LINK SEAT

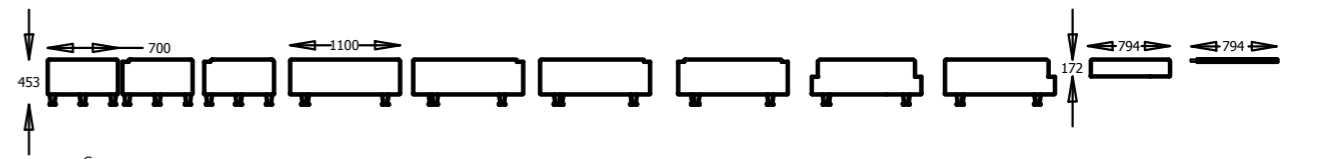
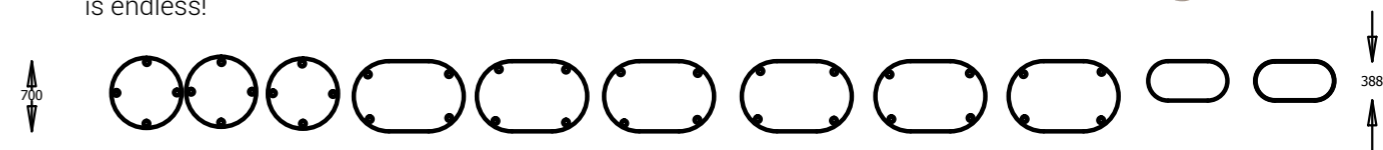
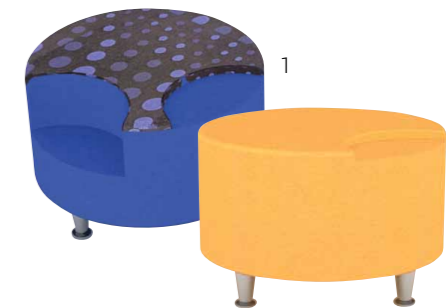
Comfortable



LOOP

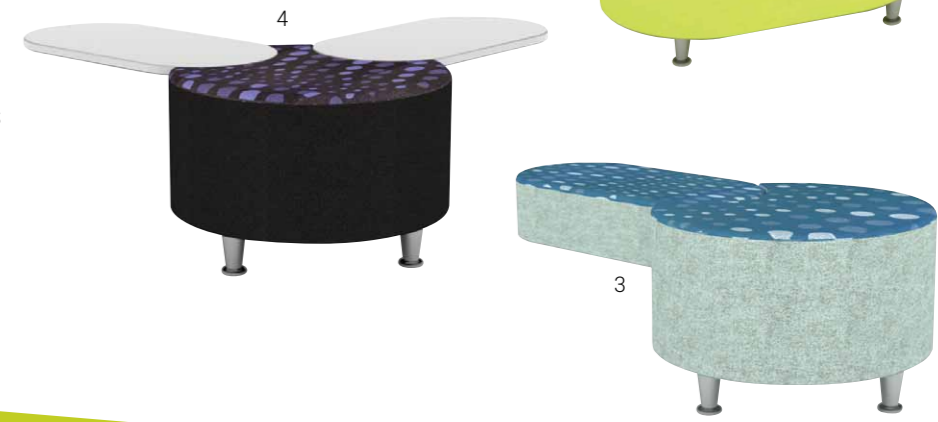
Loop, is a playful seating system which encompasses chairs and tables in a linked formation. They are easy to move around and tend to be a popular choice in universities.

They can be manufactured in an array of colours - the choice is endless!



- 1 - LOOP ROUND SEAT & TABLE CUT
- ROUND SEAT WITH TABLE CUT
- 2 - LOOP DOUBLE WITH 2 TABLE CUT
- 3 - LOOP ROUND WITH SEAT CUT
- 4 - LOOP ROUND WITH 2 TABLE CUTS
- 5 - LOOP BRIDGE TABLE
- 6 - LOOP BRIDGE SEAT

Also available in the Loop Range:
 ROUND WITH 2 SEAT CUTS
 DOUBLE WITH TABLE CUT
 DOUBLE WITH SEAT CUT
 DOUBLE SEAT & TABLE CUT
 DOUBLE WITH 2 SEAT CUT

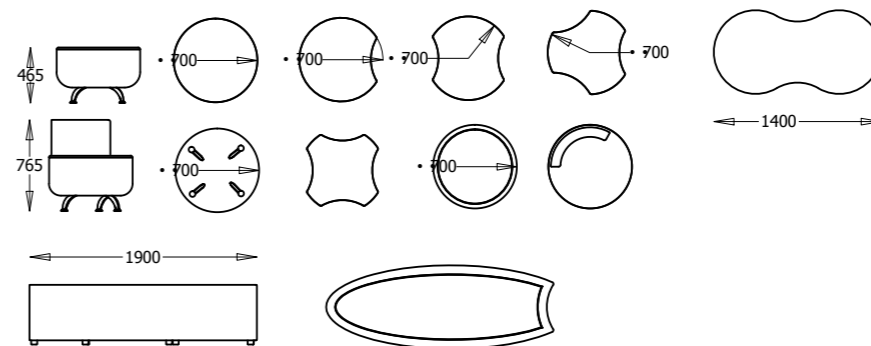


Colourful



POD

They can be dressed up or down, moved around, scattered, formal or informal, the possibilities are endless. The **Pod** range is ideal for universities, break out areas and social locations.



- 1 - POD 3 BITE
- 2 - POD 2 SEATER
- 3 - POD 2 BITE
- 4 - POD ROUND WITH BACK

- 5 - POD ROUND
- 6 - POD 1 BITE
- 7 - POD TABLE
- 8 - POD 4 BITE

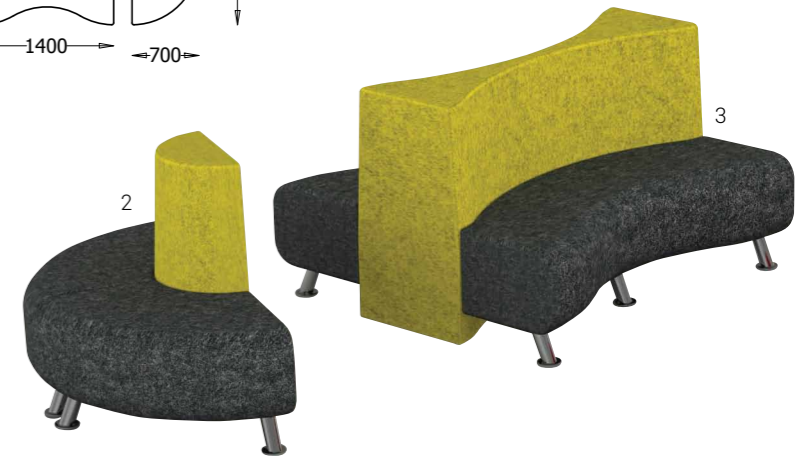
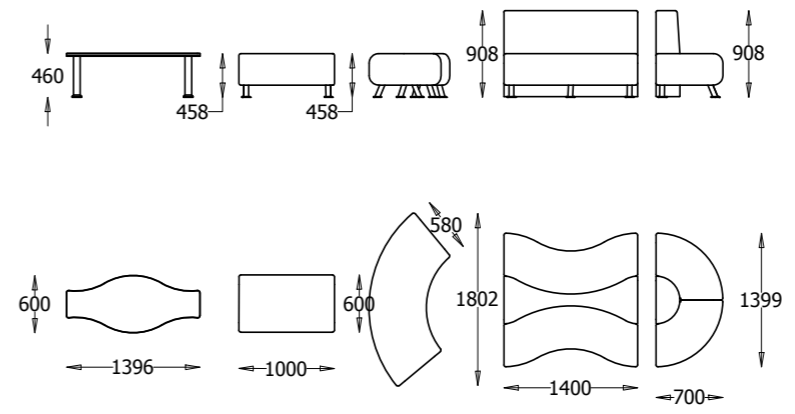
Also available in the Pod Range:
 POD 1 BITE WITH BACK
 POD BENCH 1900mm



Eye-catching

ISLAND

The Island seating can be adapted to many area's. The Modular Units can be placed as back to back dining seating at 1400mm lengths, break out area's, Isle seating circular units to fill small area's and Booth meeting area's. The Island units with it's large radiuses are also vey appealing to the eye and create a very bold effect.



- 1 - ISLAND 90 DEGREE BENCH & BENCH TABLE
- 2 - ISLAND END
- 3 - ISLAND DOUBLE BENCH & 1000mm BENCH

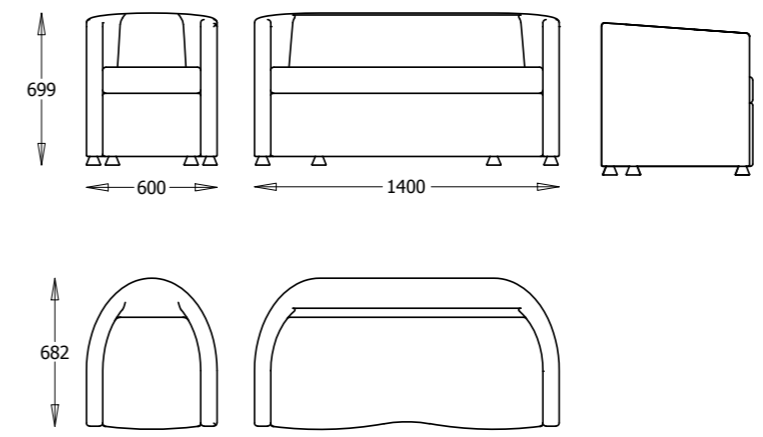


Practical and Affordable

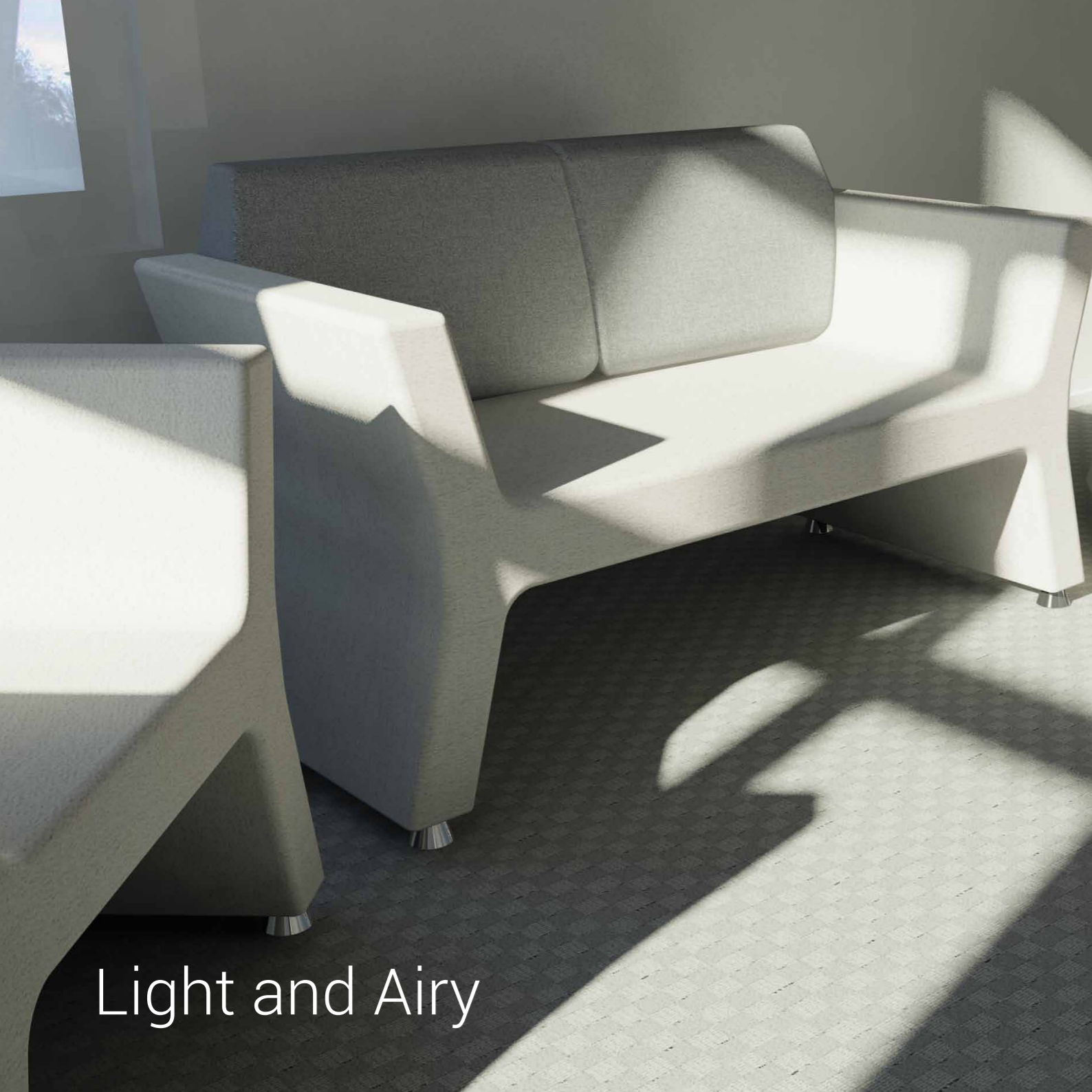
YOU

You is a practical, stylish and affordable compact tub chair range. These are ideally placed in reception areas, common rooms and teacher waiting areas.

Durable hard-wearing and in-expensive, the You range still produces quality in all areas.



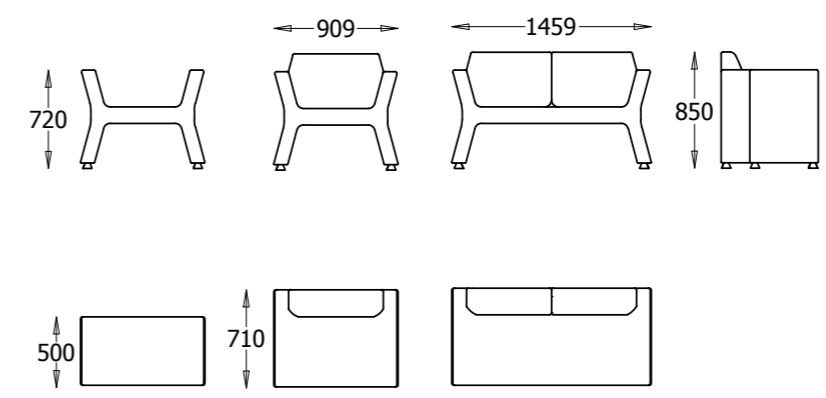
1 - YOU TUBE CHAIR
2 - YOU 2 SEATER SOFA



Light and Airy

HAYCH

The **Haych** seating range consists of a stool, armchair and a 2 seater. The straight lines, light and airy seating suits any modern area. The comfortable Haych range is available in a variety of fabrics.



1 - HAYCH ARMCHAIR
2 - HAYCH 2 SEATER
HAYCH STOOL ALSO AVAILABLE ON REQUEST

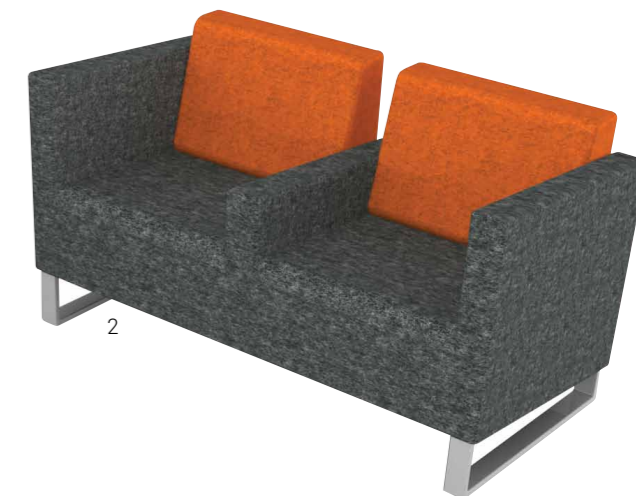
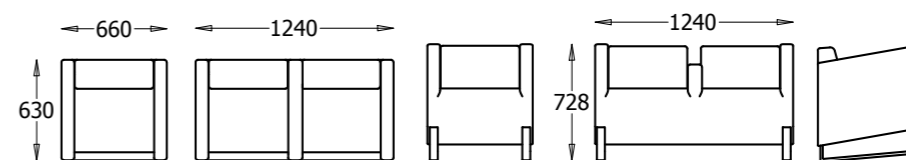


Contemporary

CONCEPT 6

Concept 6 consists of a contemporary armchair and 2 seater sofa suited to a range of environments including reception, meeting areas, universities, retail and public spaces.

Fully upholstered in a broad range of fabrics and leather. Available option: shell one colour and back upholstered in a second fabric colour. The legs are also available in different colours along with chrome.



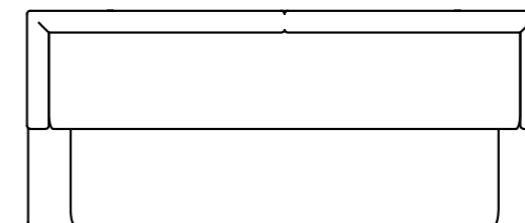
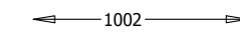
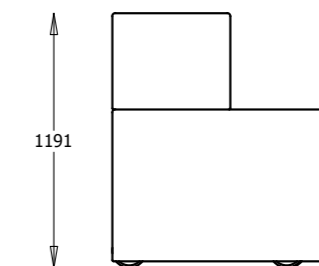
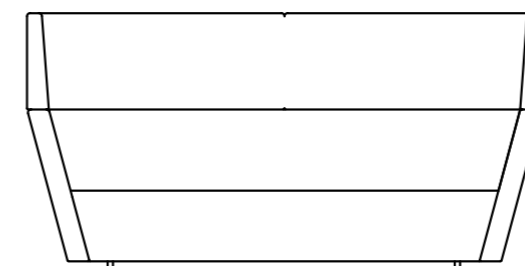
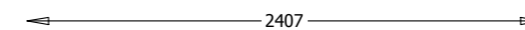
1 - HAYCH ARMCHAIR
2 - HAYCH 2 SEATER
HAYCH STOOL ALSO AVAILABLE ON REQUEST



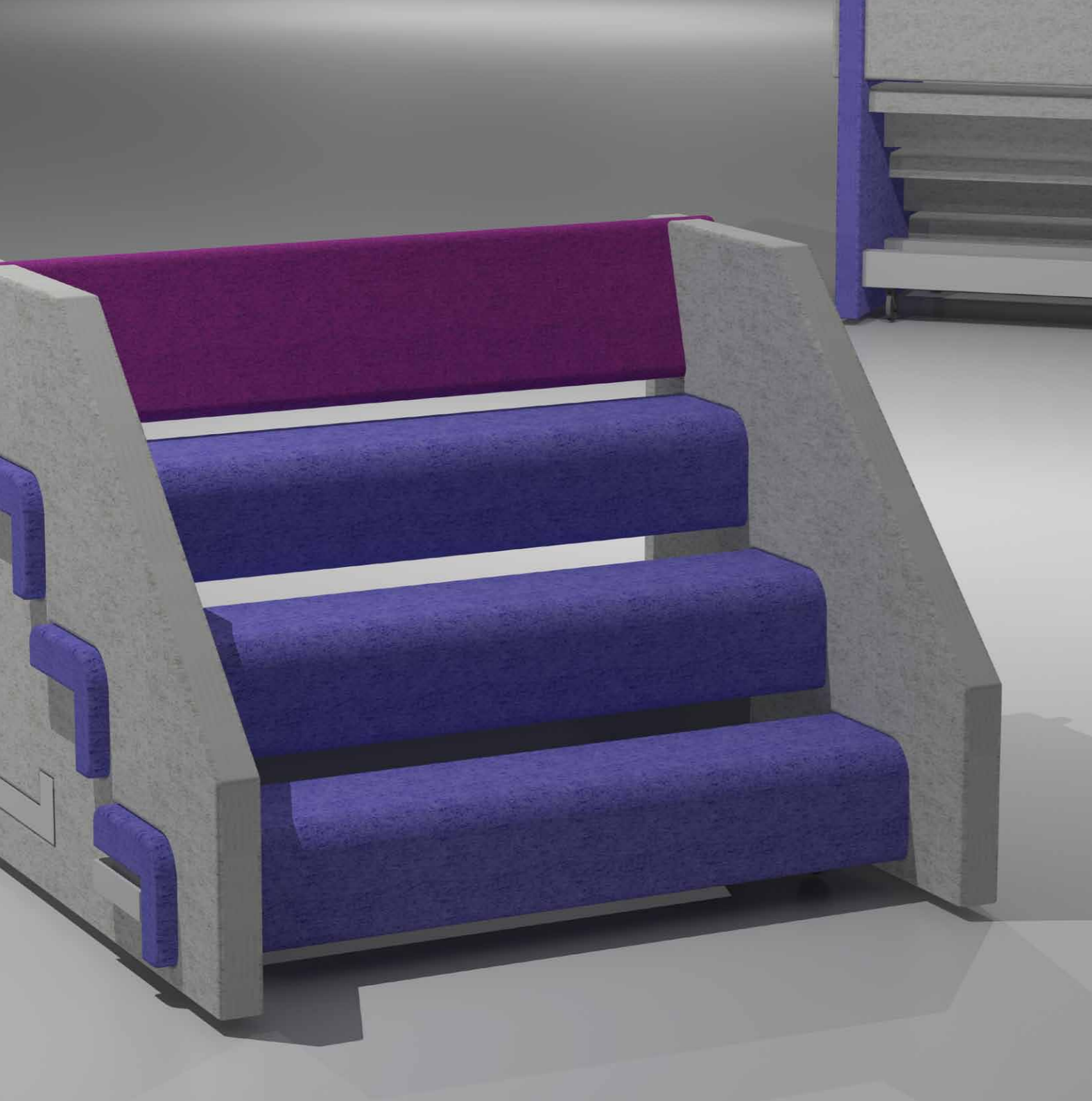
ARK

The Ark is extremely popular in the education industry and creates the personable atmosphere the teacher needs to engage with their pupils. Whether it be story-time and hearing about Noah or 2 by 2's in maths.

We believe the Ark is the perfect solution.



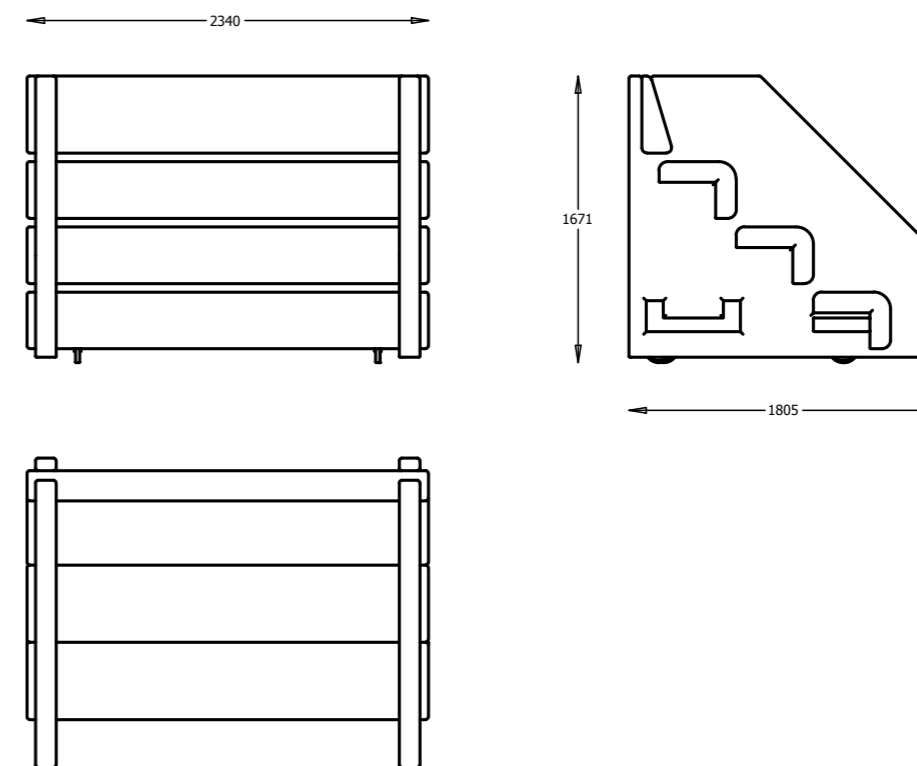
1 - ARK TWO TIER
2 - ARK THREE TIER



ELEVATOR

Elevator is a unique, comfortable 2 and 3 tiered system. This particular unit can sit up to 12-15 people. The Elevator stands on 6 heavy-duty nylon lockable castors, each holding a maximum of 700kg each.

The unit has a built in shelf unit ideally for storing ruck sacks. The units are actually manufactured in parts and built on site. The Elevator interior structural frame is made from plywood and galvanised metal tubing built for strength and longevity. The upholstery can be supplied in many different fabrics including leather.



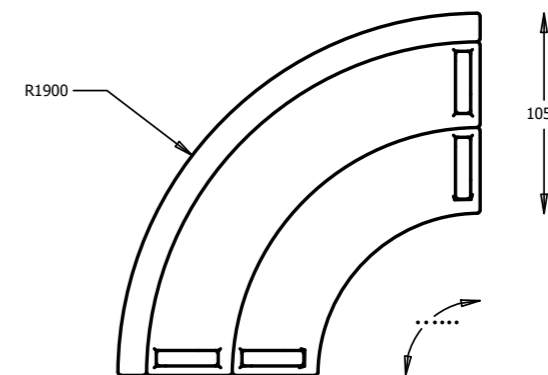
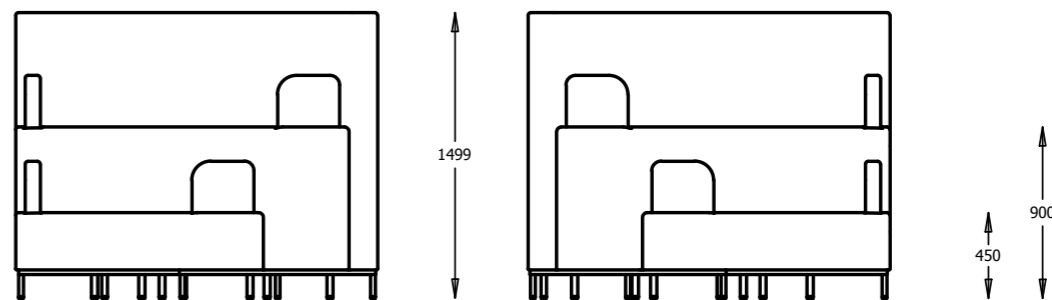


STEP UNIT
Options with or without arms on request.
Also Available fully upholstered to the floor.

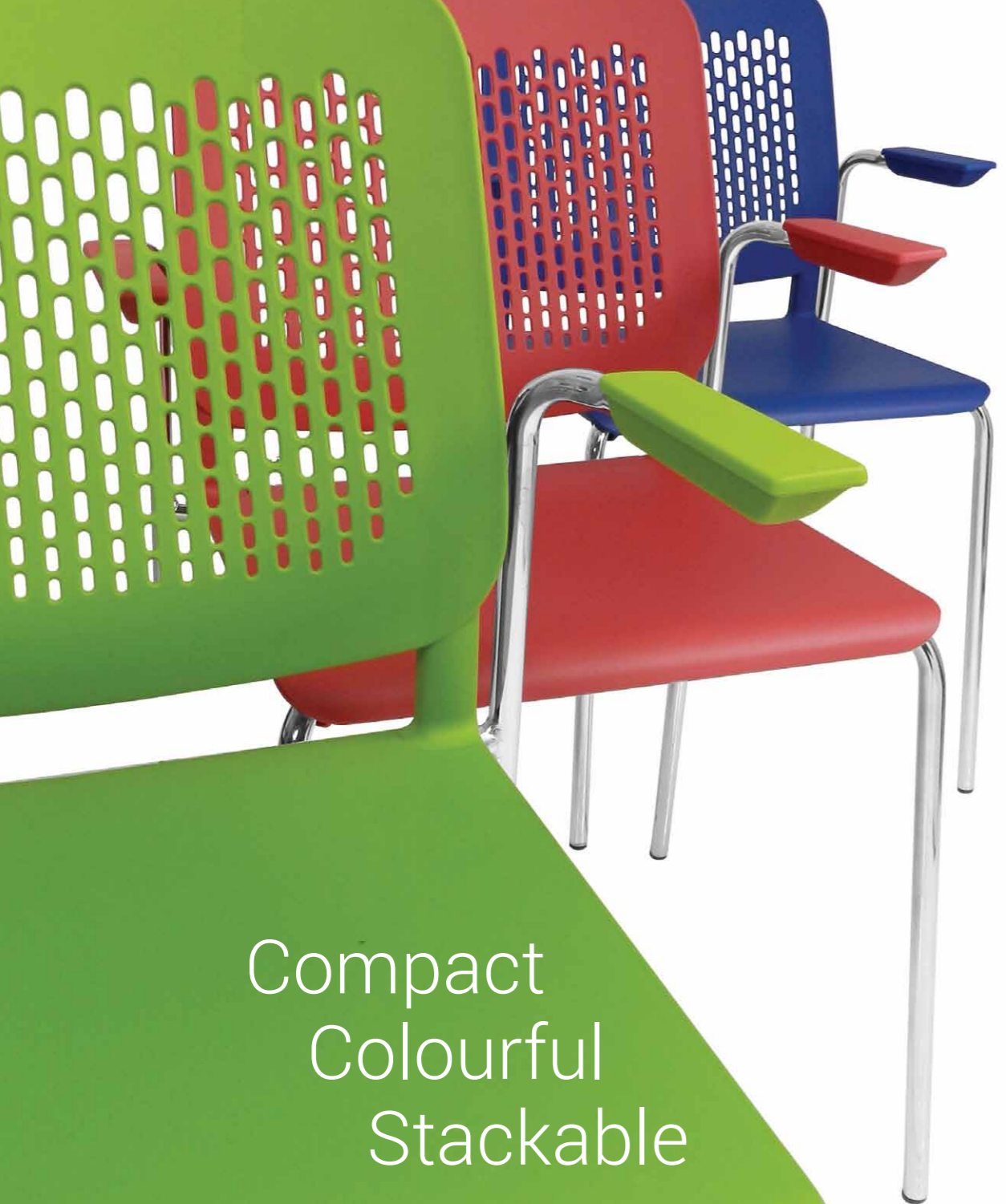
STEP

Step seating unit shows exactly what it is, a two tiered step. Instyle designs can manufacture this seating with and without arms. The Step unit is also available in straight lengths and quarter Circles, it can also be made to measure. This unit is available as a full seat to the floor or the upgraded Metal frame which the Units stand on.

Also available storage Unit to the rear of the seating.



Two Tiered Step Seating



Compact
Colourful
Stackable

MALIKA

These chairs are simply smart. Compact, colourful and stackable, they are the ideal solution to any space. With or without arms, the possibilities are endless.



PASSPORT

The Passport Range of chairs have a Mesh back available in either grey or white. It comes with many options such as modern 5 star base with and without Castors, Canterleaver and 4 legs. Also comes with a gas lift and adjustable seat.



ONDA

This chair comes in a variety of colours, and whether you want to chrome your chair up, or play it down, we have a whole host of accessories to spruce up you **Onda!**

Comfortable, practical and ergonomically friendly, this is a classic chair.



FLIP TOP TABLES

The fruit shaped 22mm **Flip Top** tables, 2000mm x 800mm can be locked using lockable castors. Also available using single fruit shapes on 700-900mm round 22mm MDF tops with trumpet bases.



Marine Style Circular Booth

Designed and built to fit, the Marine style Circular Booth seating booth with porta cabin holes to outside back and Brilliant Captains dining table. Perfect for group dining. Available in many laminates and fabrics.



D-Roll Bench Seating



High Pad Bench Seating

instyle
DESIGNS



Igloo Bench Seating



Plain Bench Seating

instyle
DESIGNS



Prezzo Style Seating



Shallow Buttoned Bench Seating



Vertical Flute Seating



Vertical Pad Seating



Timber Rail Seating





Tiger Bay Dessert & Shisha Lounge - Kingsbury



Carlton Lounge - Kingsbury

instyle
DESIGNS



Maddox Club - Central London Basement



Maddox Club - Central London First Floor

instyle
DESIGNS



Olympic Park - London



Holby & Tweendykes Academy - Hull Academy