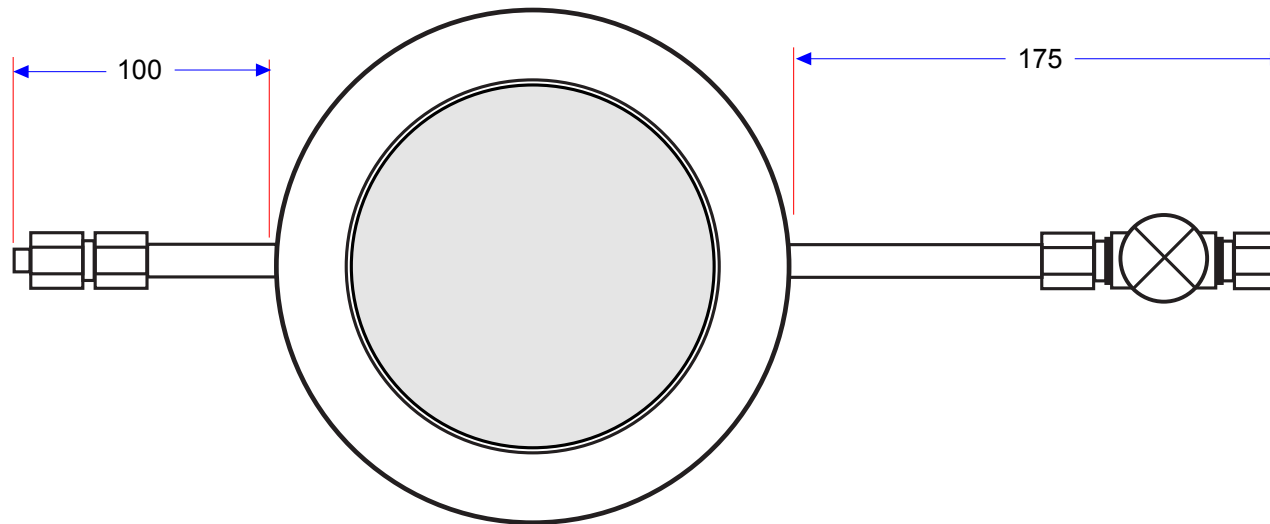
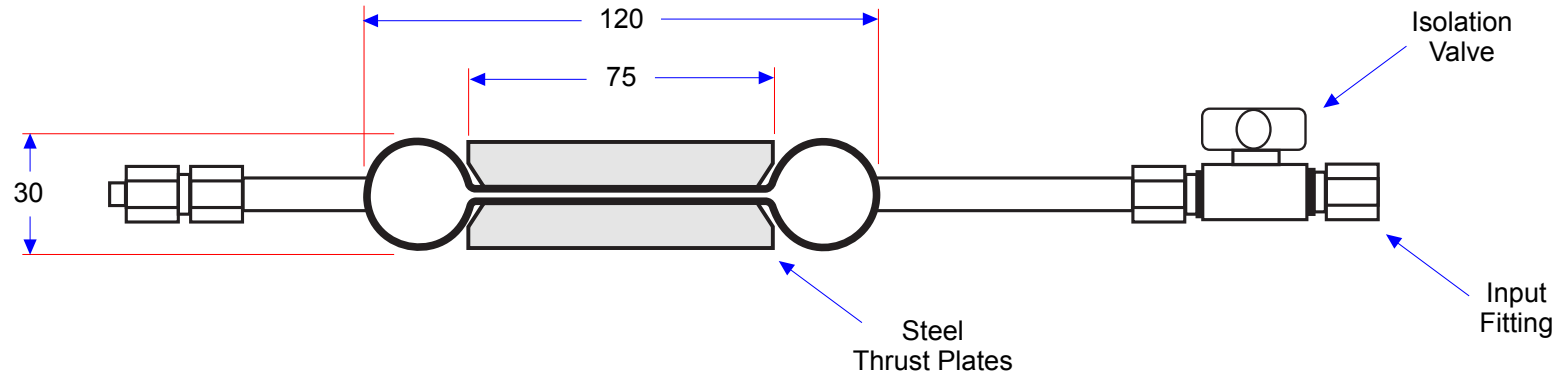



FJ12 Flat Jack



Maximum Capacity: 8 tons
Maximum Stroke: 25mm
Maximum Pressure: 150 bar
Fluid Requirement: 0.3 Lts
Jack Weight: 4.0 Kgs

 HYDRA-CAPSULE	
HEAVY DUTY JACKING SYSTEMS	
DESCRIPTION:	FJ-12 Flat-Jack
DRAWING No.	Xara / FJ-12 / 2007-A