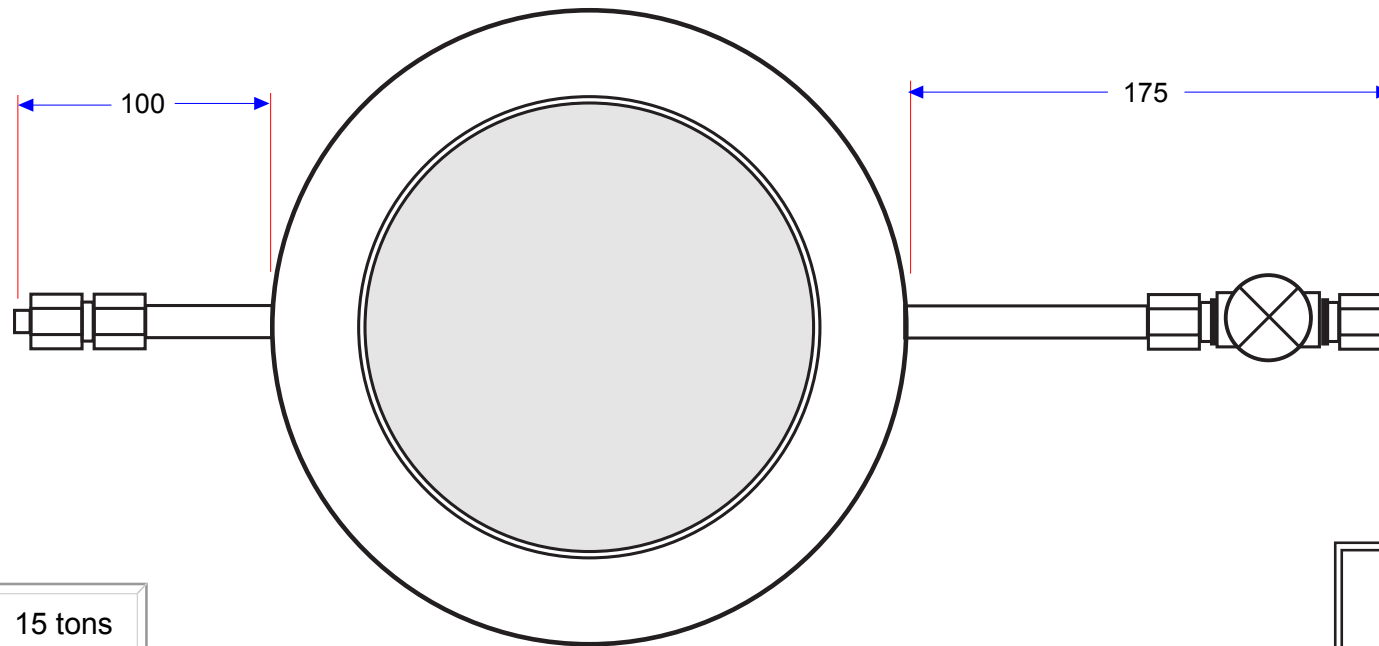
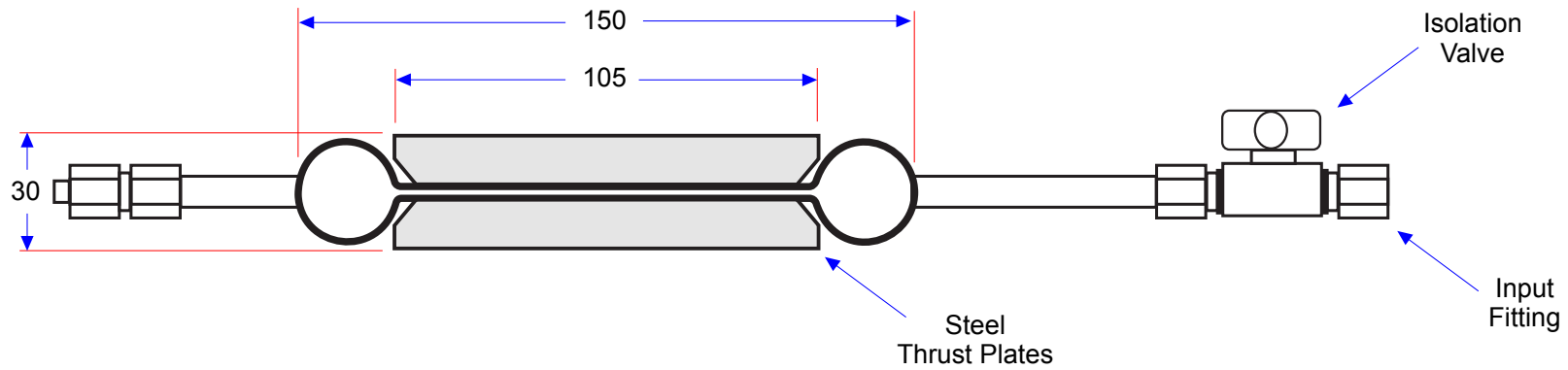


# FJ15 Flat Jack



Maximum Capacity: 15 tons  
Maximum Stroke: 25mm  
Maximum Pressure: 150 bar  
Fluid Requirement: 0.5 Lts  
Jack Weight: 8.0 Kgs



DESCRIPTION:	FJ-15 Flat-Jack
DRAWING No.	Xara / FJ-15 / 2007-A