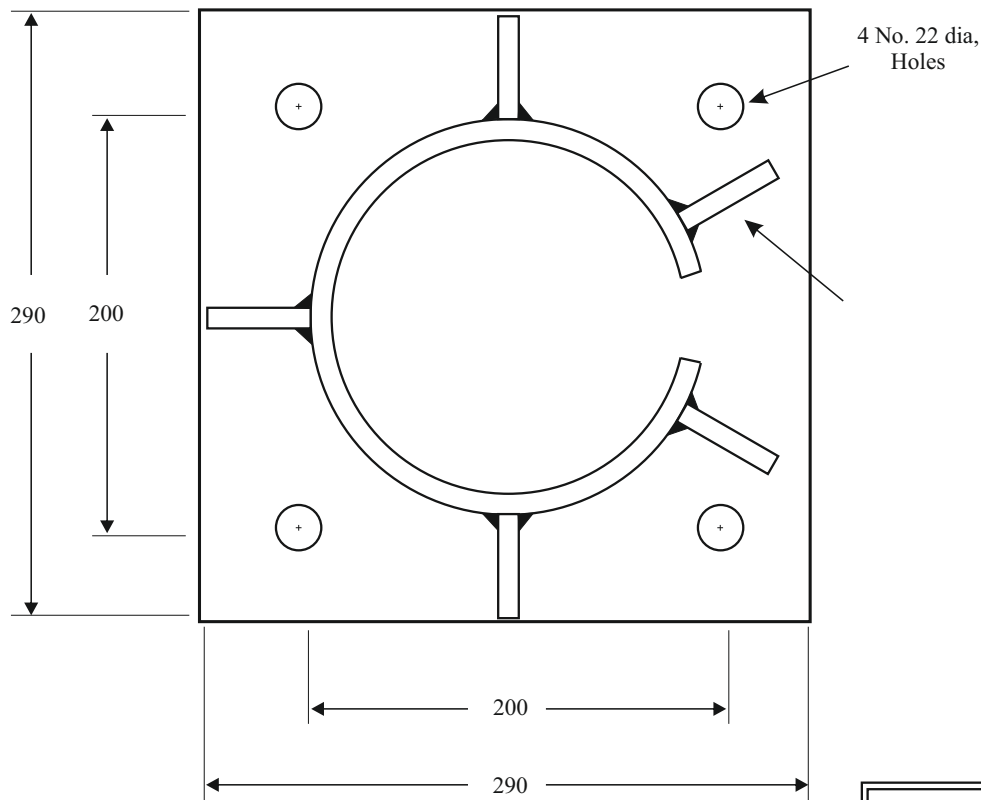
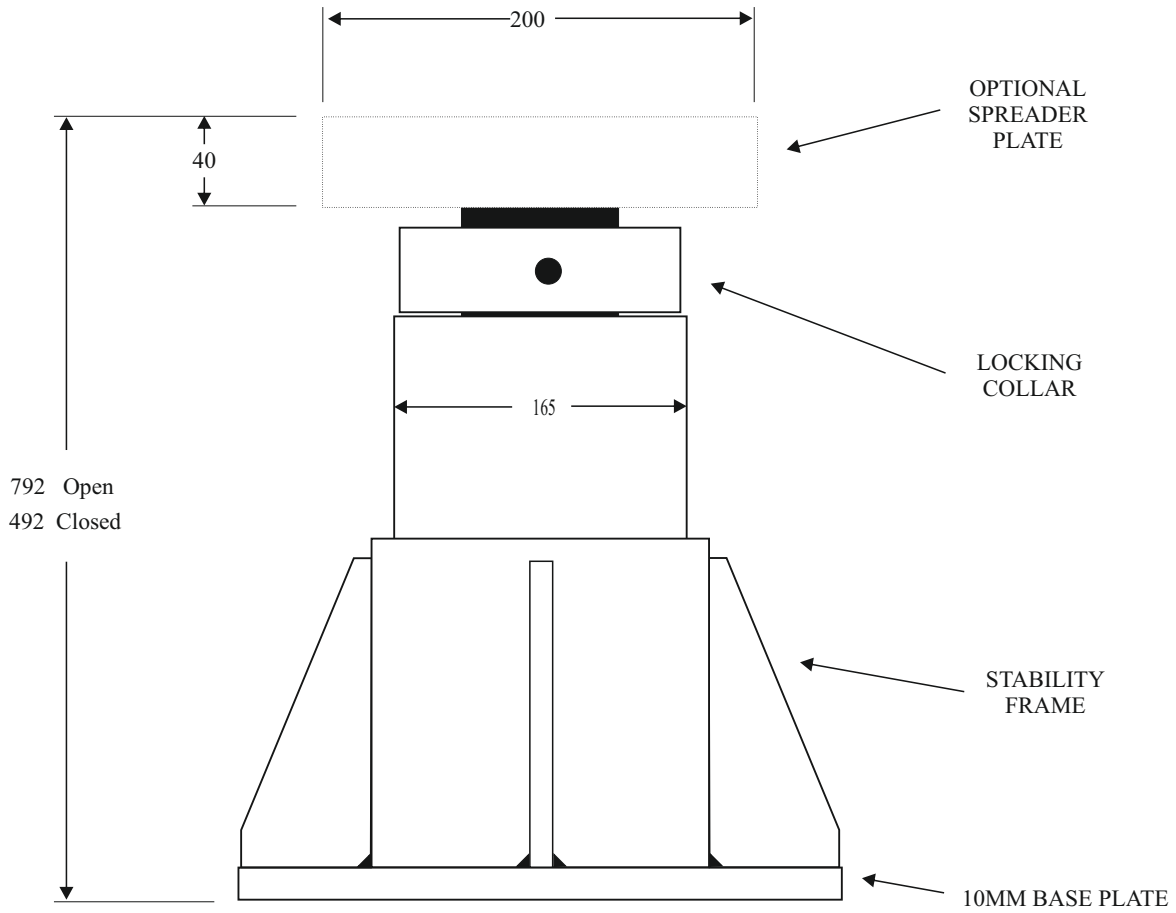


# LN100-300 Long-Stroke Hydra-Jack



Maximum Capacity:	1000 Kns
Maximum Stroke:	300 mm
Maximum Pressure:	700 Bar
Fluid Requirement:	4.04 Lts
Jack Weight :	80.0 Kgs

<b>HYDRA - CAPSULE</b>	
<b>HEAVY DUTY JACKING SYSTEMS</b>	
DESCRIPTION:	LN100-300 Hydra-Jack
DRAWING No.	CorelDrawLN100-300.cdr