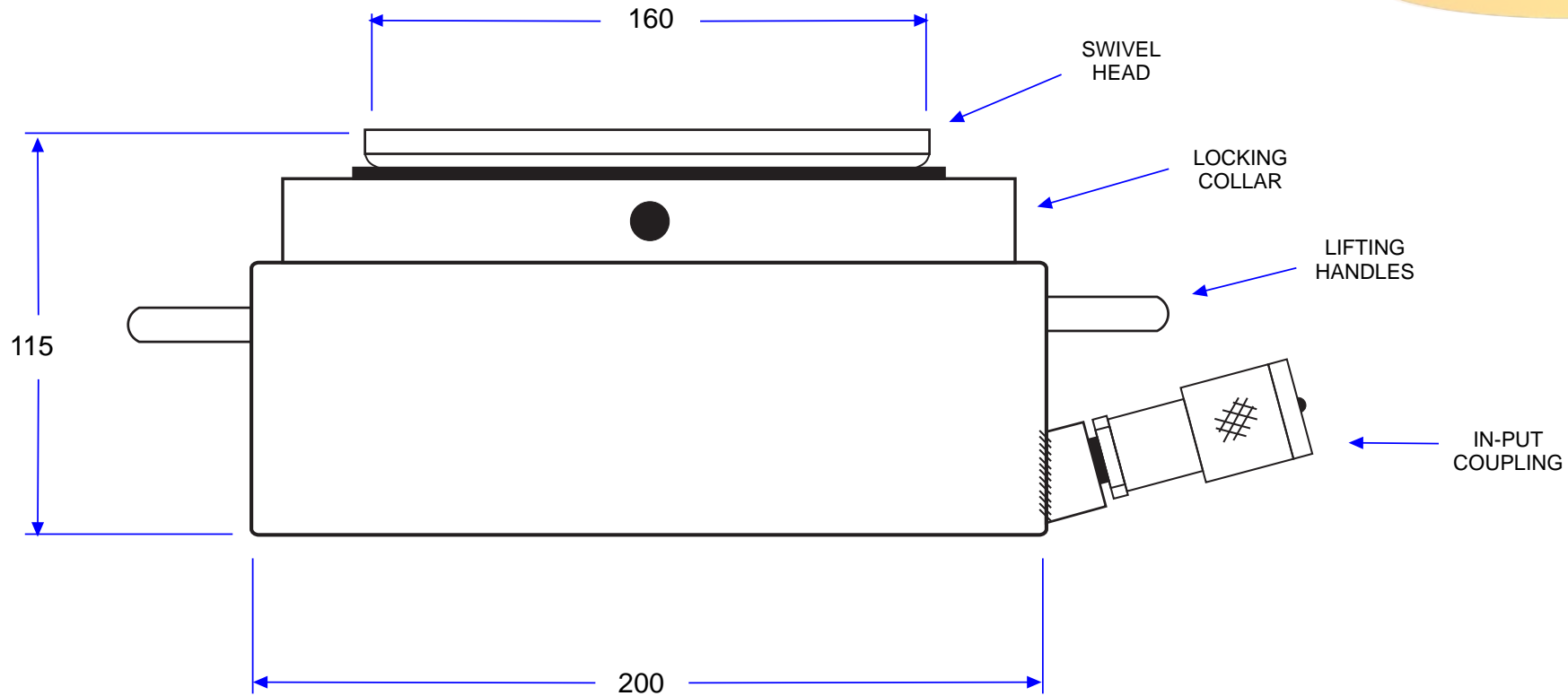
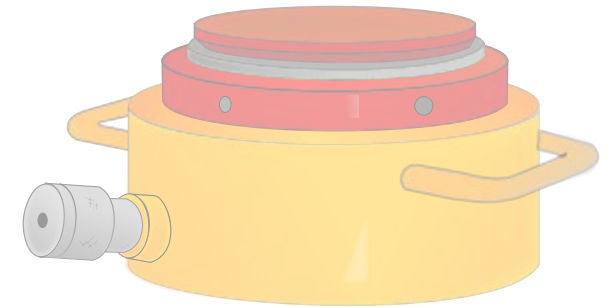



HJ150-15 Hydra-Jack



Maximum Capacity	150 tons
Maximum Stroke	15mm
Maximum Pressure	690 bar
Fluid Requirement	0.40 Lts
Jack Weight	26.3 Kgs

 HYDRA-CAPSULE	
HEAVY DUTY JACKING SYSTEMS	
DESCRIPTION:	HJ150-15 Hydra-Jack
DRAWING No.	Xara/HJ150-15/2007-A