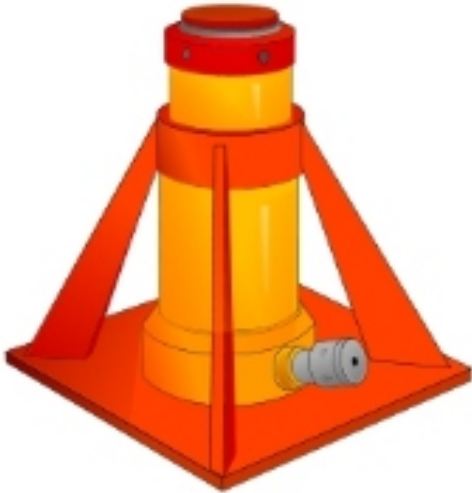
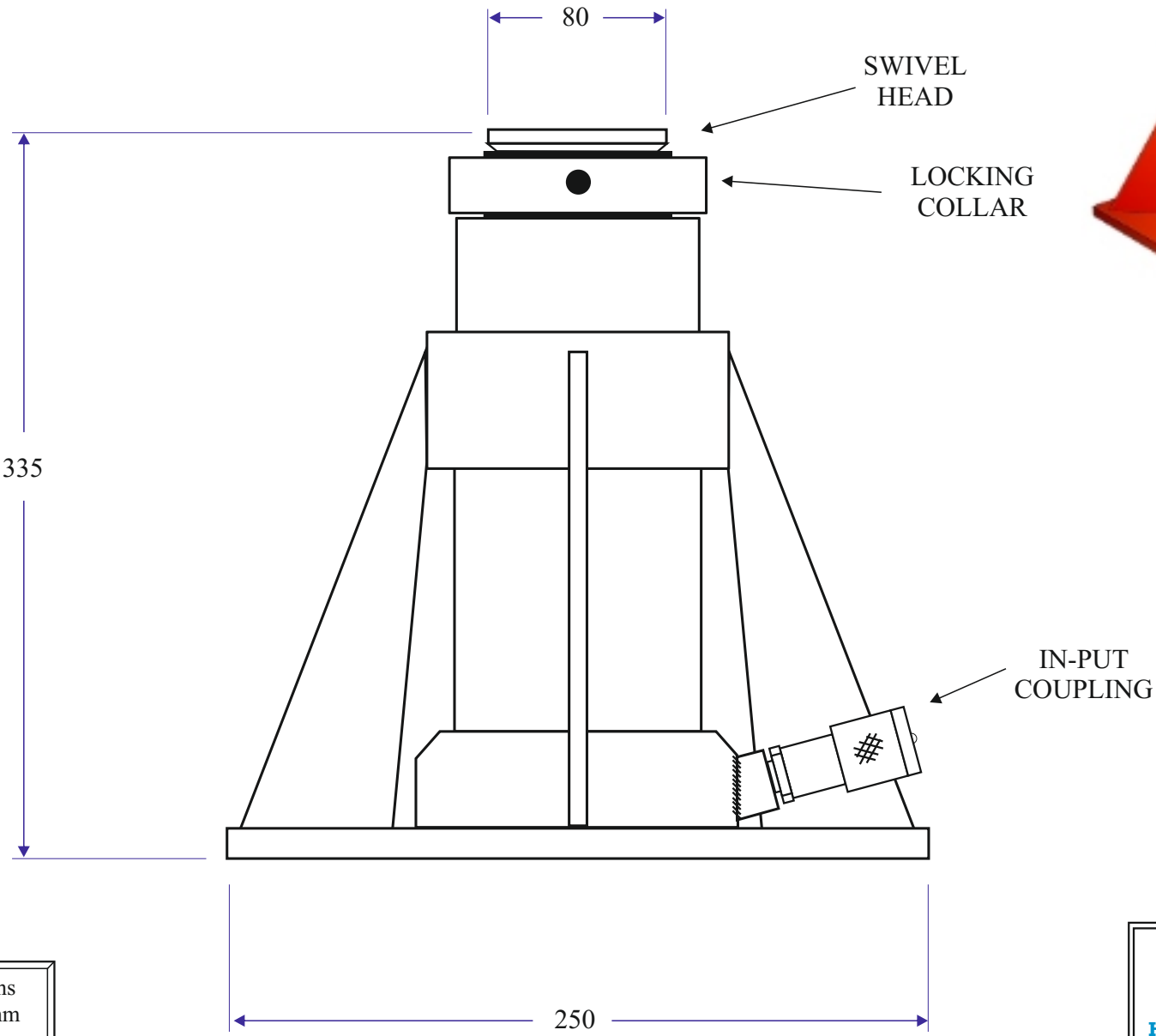


# HJ25-150 Hydra-Jack



Maximum Capacity:	250 Kns
Maximum Stroke:	150 mm
Maximum Pressure:	690 Bar
Fluid Requirement:	0.73 Lts
Jack Weight :	26 Kgs

<b>HYDRA - CAPSULE</b>	
<b>HEAVY DUTY JACKING SYSTEMS</b>	
DESCRIPTION:	HJ25-150 Hydra-Jack
DRAWING No.	CorelDraw-HJ25-150.cdr