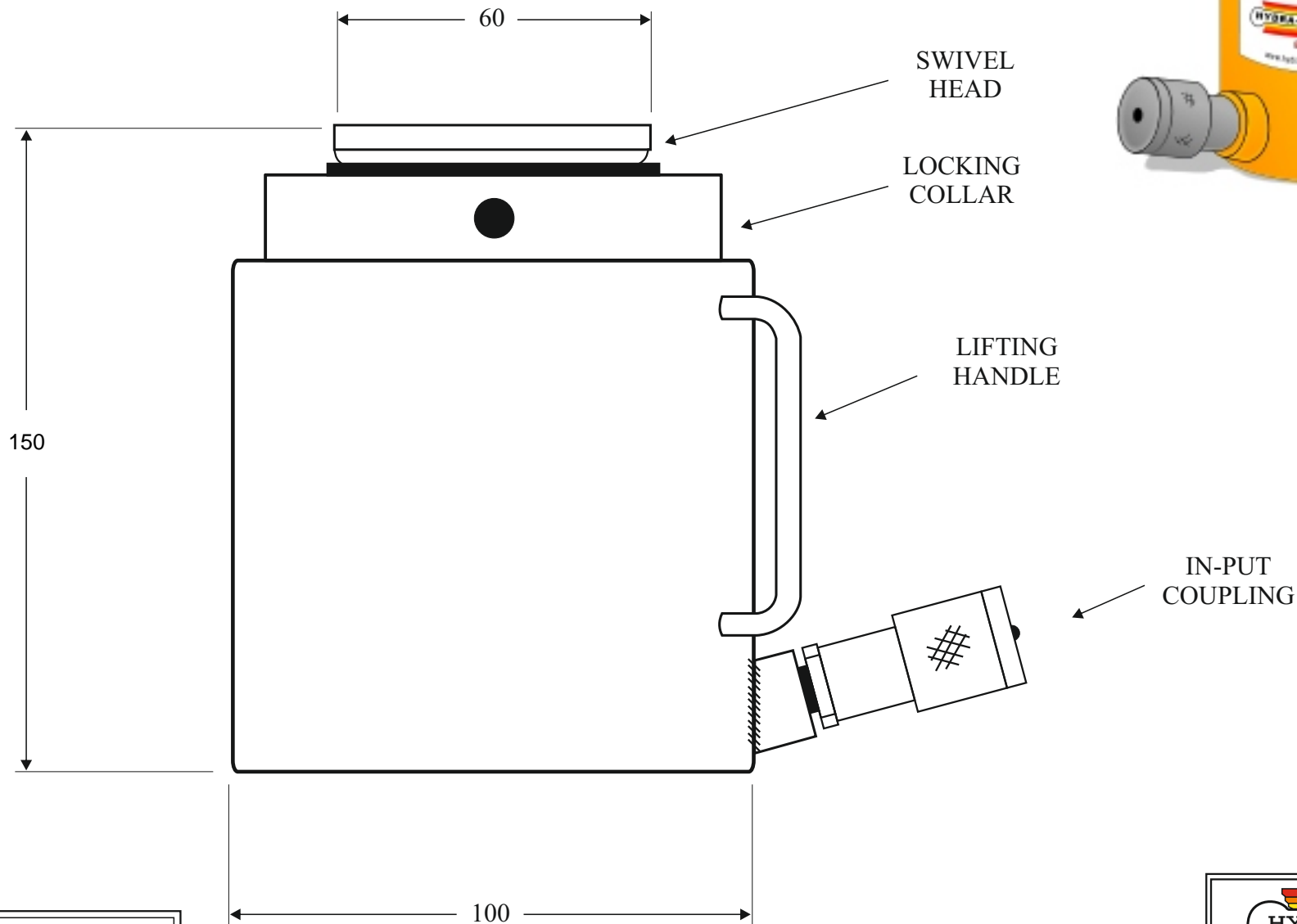



HJ30-50 Hydra-Jack



Maximum Capacity:	300 Kns
Maximum Stroke:	50 mm
Maximum Pressure:	700 Bar
Fluid Requirement:	0.26 Lts
Jack Weight :	14.6 Kgs

 HYDRA - CAPSULE HEAVY DUTY JACKING SYSTEMS	
DESCRIPTION:	HJ30-50 Hydra-Jack
DRAWING No.	CorelDraw-HJ30-50.cdr