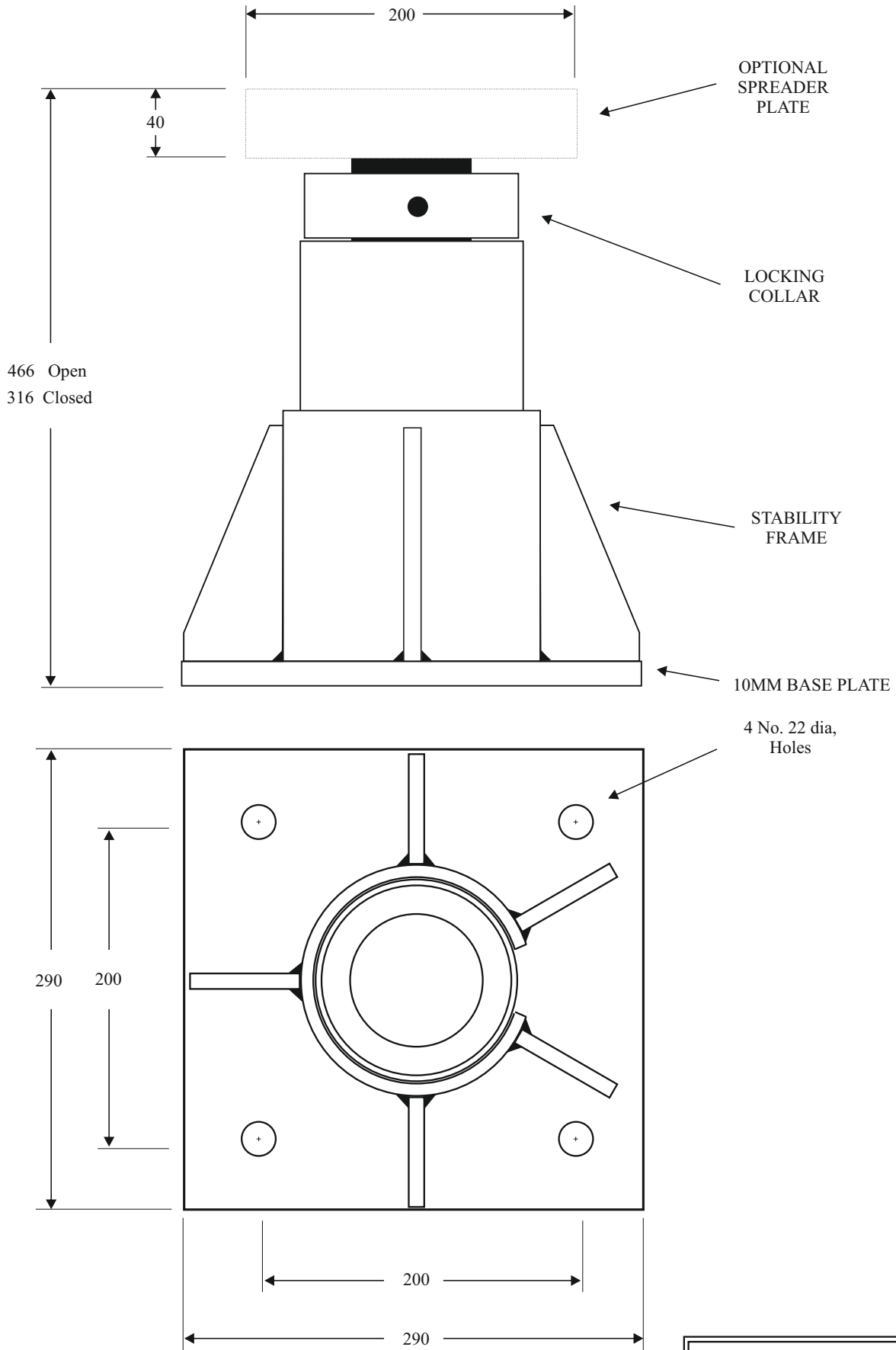



LN50-150 Long-Stroke Hydra-Jack



Maximum Capacity:	500 Kns
Maximum Stroke:	150 mm
Maximum Pressure:	700 Bar
Fluid Requirement:	1.10 Lts
Jack Weight :	31.1 Kgs

	
HEAVY DUTY JACKING SYSTEMS	
DESCRIPTION:	LN50-150 Hydra-Jack
DRAWING No.	CorelDrawLN506150.cdr