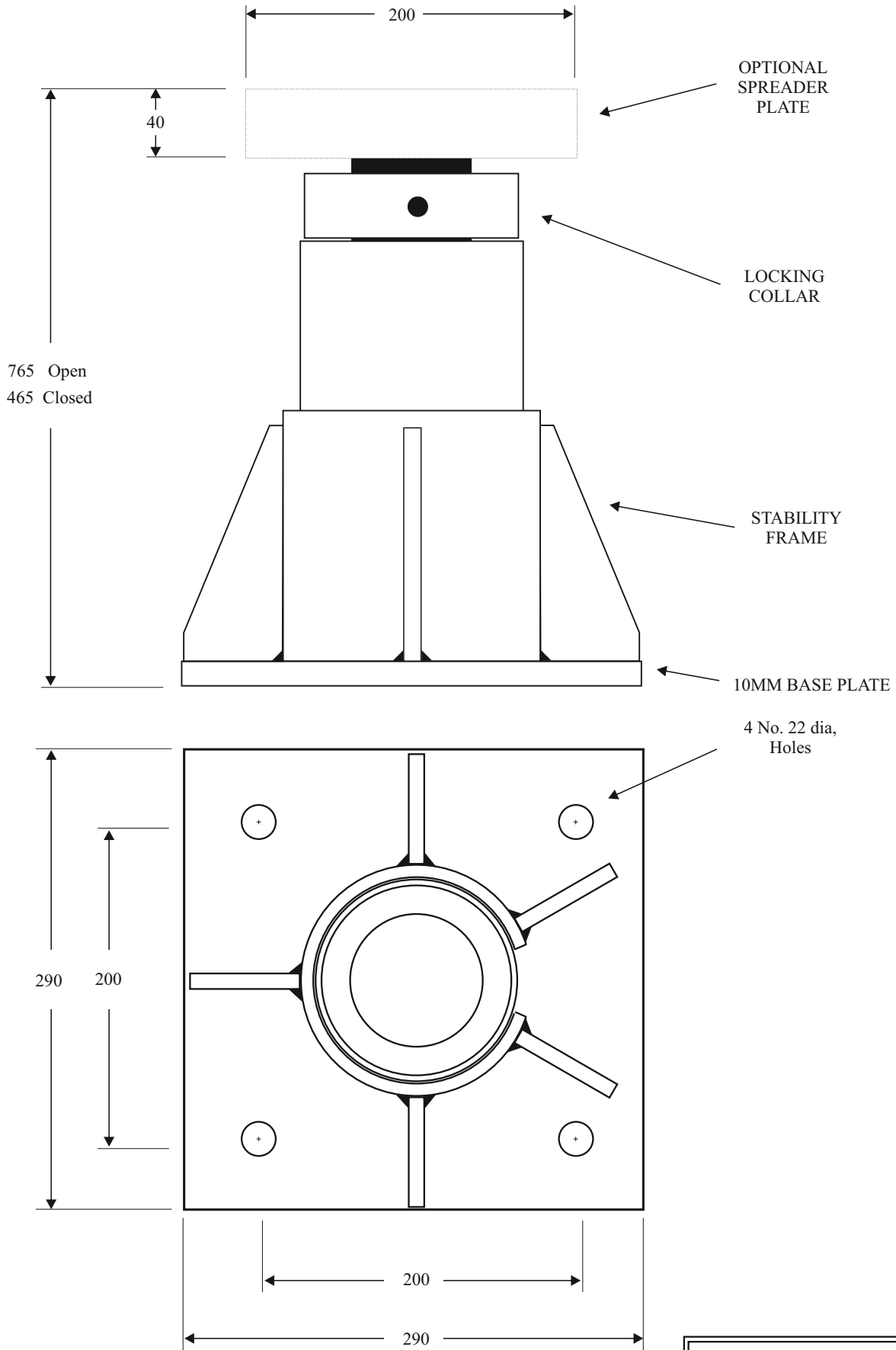


LN50-300 Long-Stroke Hydra-Jack



Maximum Capacity:	500 Kns
Maximum Stroke:	300 mm
Maximum Pressure:	700 Bar
Fluid Requirement:	2.14 Lts
Jack Weight :	46.2 Kgs

HYDRA - CAPSULE	
HEAVY DUTY JACKING SYSTEMS	
DESCRIPTION:	LN50-300 Hydra-Jack
DRAWING No.	CorelDrawLN50-300.cdr