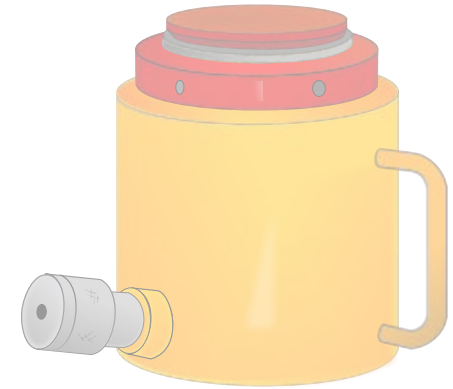
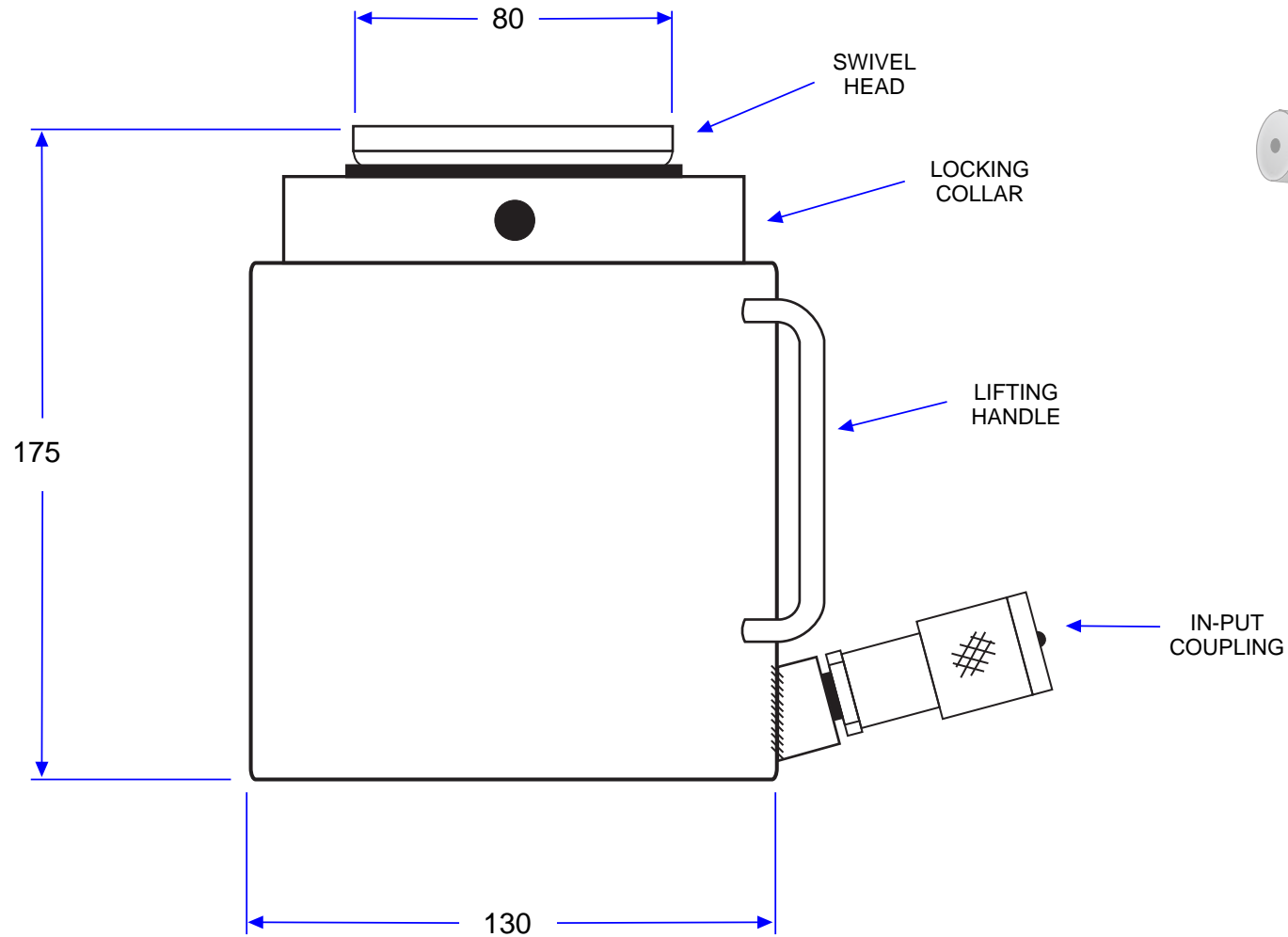


# HJ50-50 Hydra-Jack



Maximum Capacity	50 tons
Maximum Stroke	50mm
Maximum Pressure	640 bar
Fluid Requirement	0.46 Lts
Jack Weight	14.6 Kgs

<b>HYDRA-CAPSULE</b>	
HEAVY DUTY JACKING SYSTEMS	
DESCRIPTION:	HJ50-50 Hydra-Jack
DRAWING No.	Xara/HJ50-50/2007-A