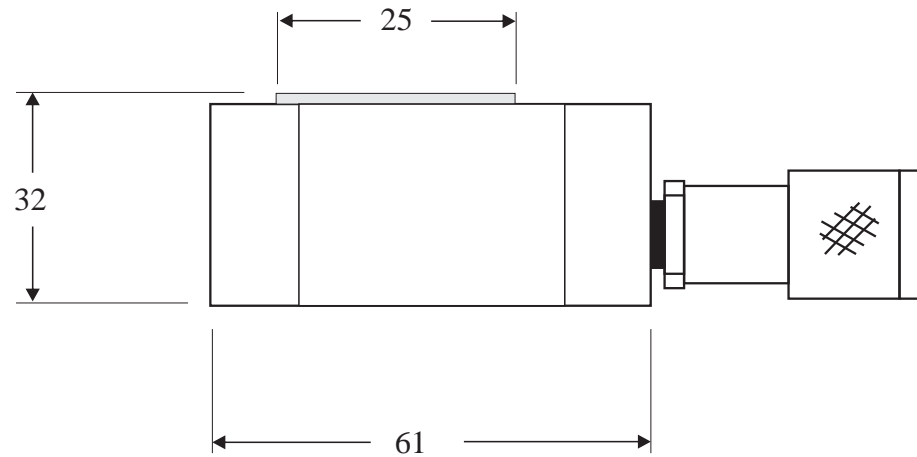
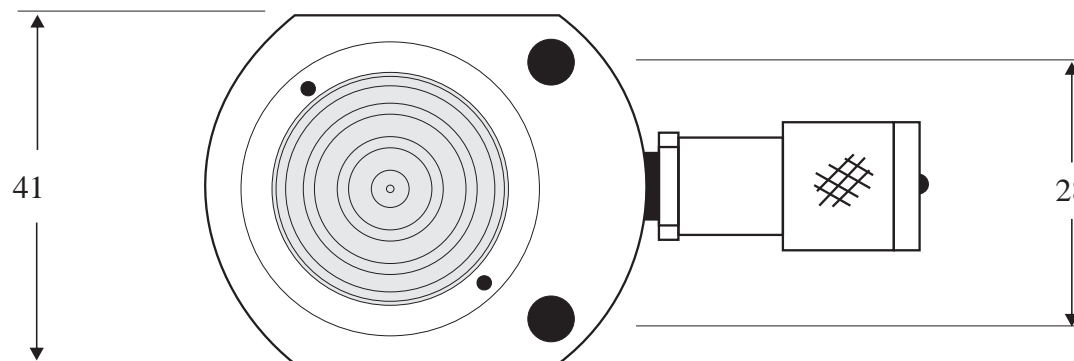


# PJ05-06 Pad Jacks



IN-PUT  
COUPLING



5mm dia,  
Fixing Holes

|                    |          |
|--------------------|----------|
| Maximum Capacity:  | 50 Kns   |
| Maximum Stroke:    | 06 mm    |
| Maximum Pressure:  | 700 Bar  |
| Fluid Requirement: | 0.01 Lts |
| Jack Weight :      | 0.6 Kgs  |

|                                   |                       |
|-----------------------------------|-----------------------|
|                                   |                       |
| <b>HEAVY DUTY JACKING SYSTEMS</b> |                       |
| <b>DESCRIPTION:</b>               | PJ05-16 Pad Jacks     |
| <b>DRAWING No.</b>                | CorelDraw-PJ05-06.cdr |