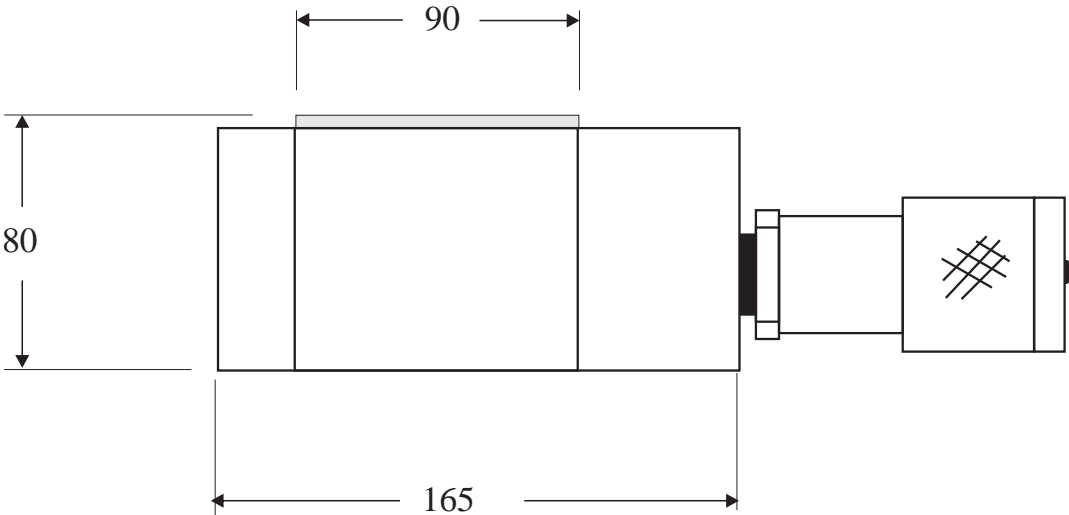
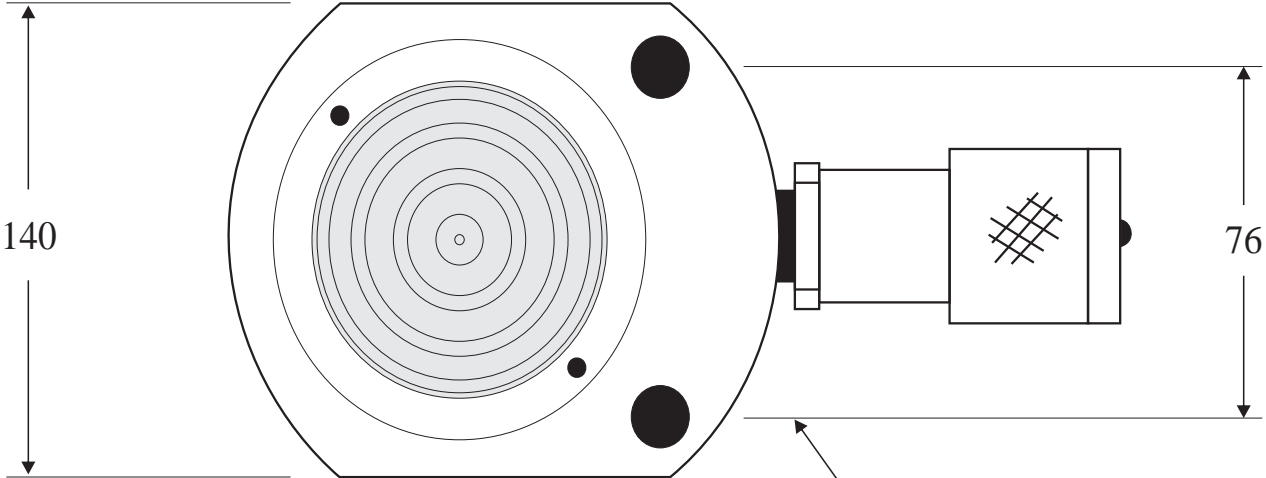


PJ75-16 Pad Jacks



IN-PUT
COUPLING



1 1mm dia,
Fixing Holes

Maximum Capacity:	750 Kns
Maximum Stroke:	16 mm
Maximum Pressure:	700 Bar
Fluid Requirement:	0.17 Lts
Jack Weight :	11.5 Kgs

HYDRA - CAPSULE	
HEAVY DUTY JACKING SYSTEMS	
DESCRIPTION:	PJ75-16 Pad Jacks
DRAWING No.	CorelDraw-PJ75-16.cdr