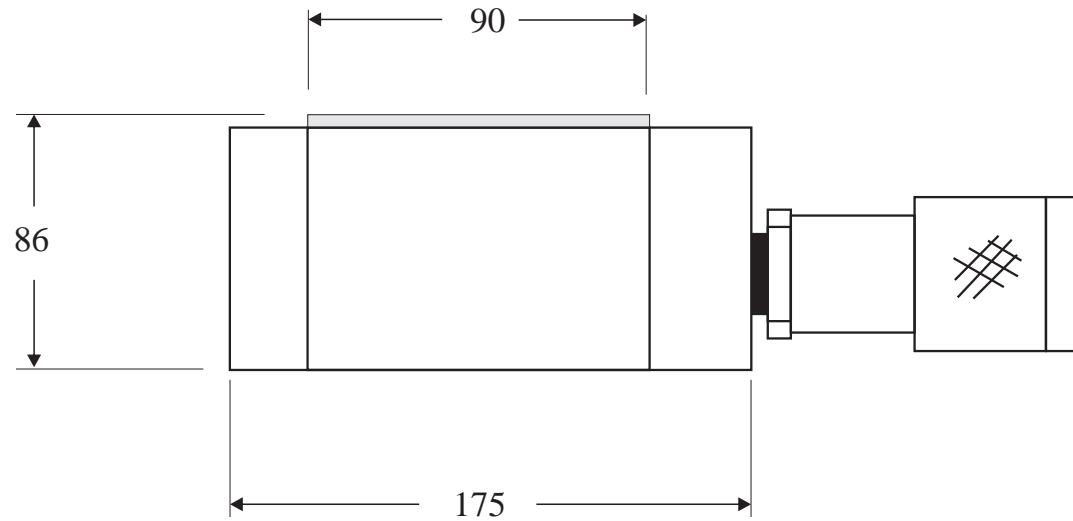
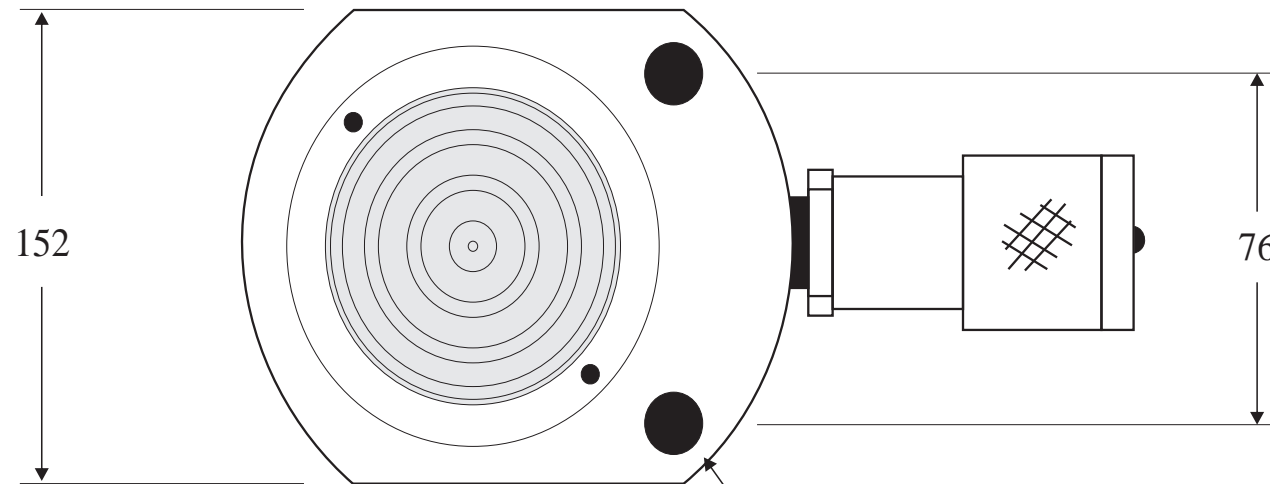


PJ90-16 Pad Jacks



IN-PUT
COUPLING



13mm dia,
Fixing Holes

Maximum Capacity:	900 Kns
Maximum Stroke:	16 mm
Maximum Pressure:	700 Bar
Fluid Requirement:	0.21 Lts
Jack Weight :	14.3 Kgs

HYDRA - CAPSULE

HEAVY DUTY JACKING SYSTEMS

DESCRIPTION: PJ90-16 Pad Jacks

DRAWING No. CorelDraw-PJ90-16.cdr