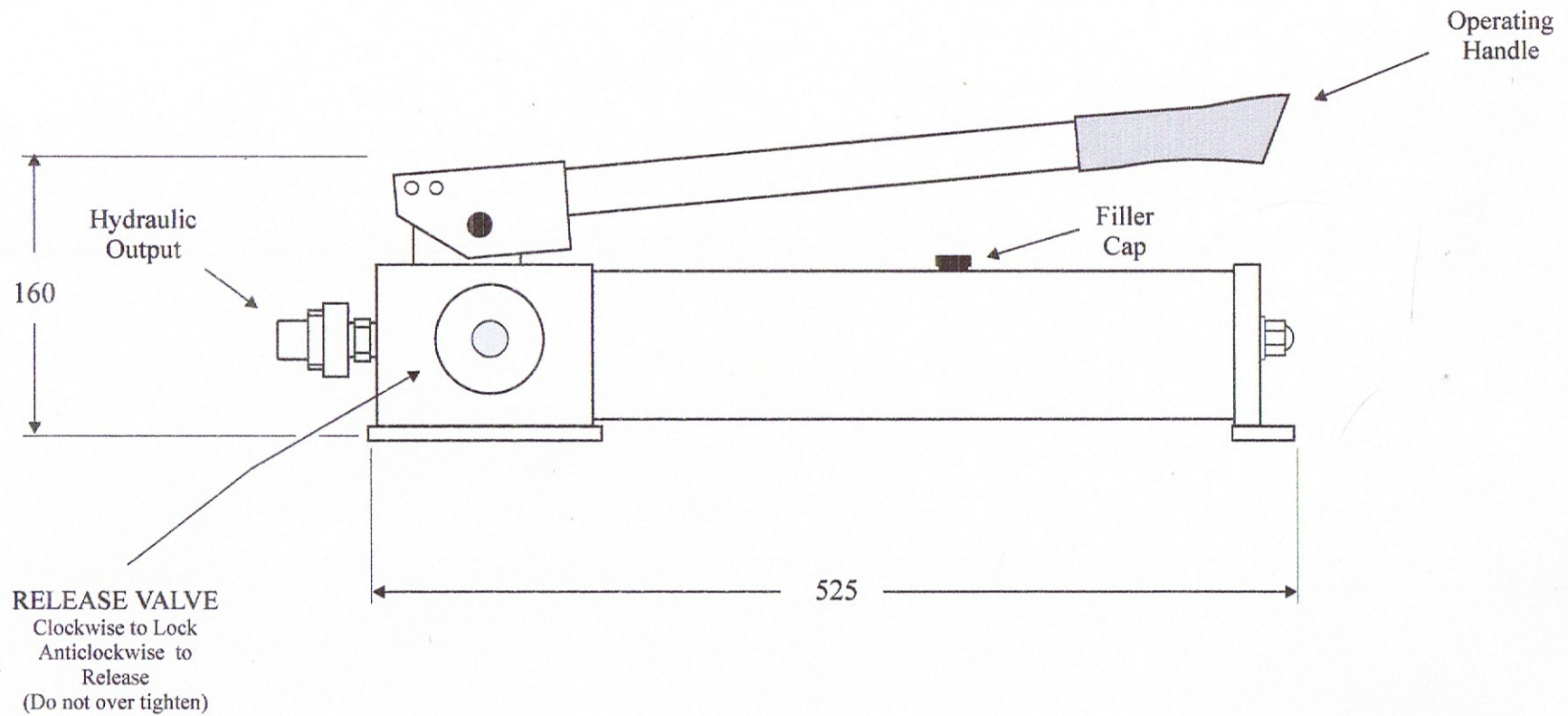


# HP-1 Hand Operated Hydraulic Pump



Flow Rate (High):	0.133 Lts/Stroke
Flow Rate (Low):	0.023 Lts/Stroke
Maximum Pressure:	700 Bar
Fluid Reservoir:	1.0 Lts
Pump Weight :	9.2 Kgs

**NEVER EXCEED THE MAXIMUM  
JACK WORKING PRESSURE**

<b>HYDRA - CAPSULE</b>	
<b>HEAVY DUTY JACKING SYSTEMS</b>	
DESCRIPTION:	HP-1 Hand Hydra-Pump
DRAWING No.	CorelDraw-HP-1.cdr