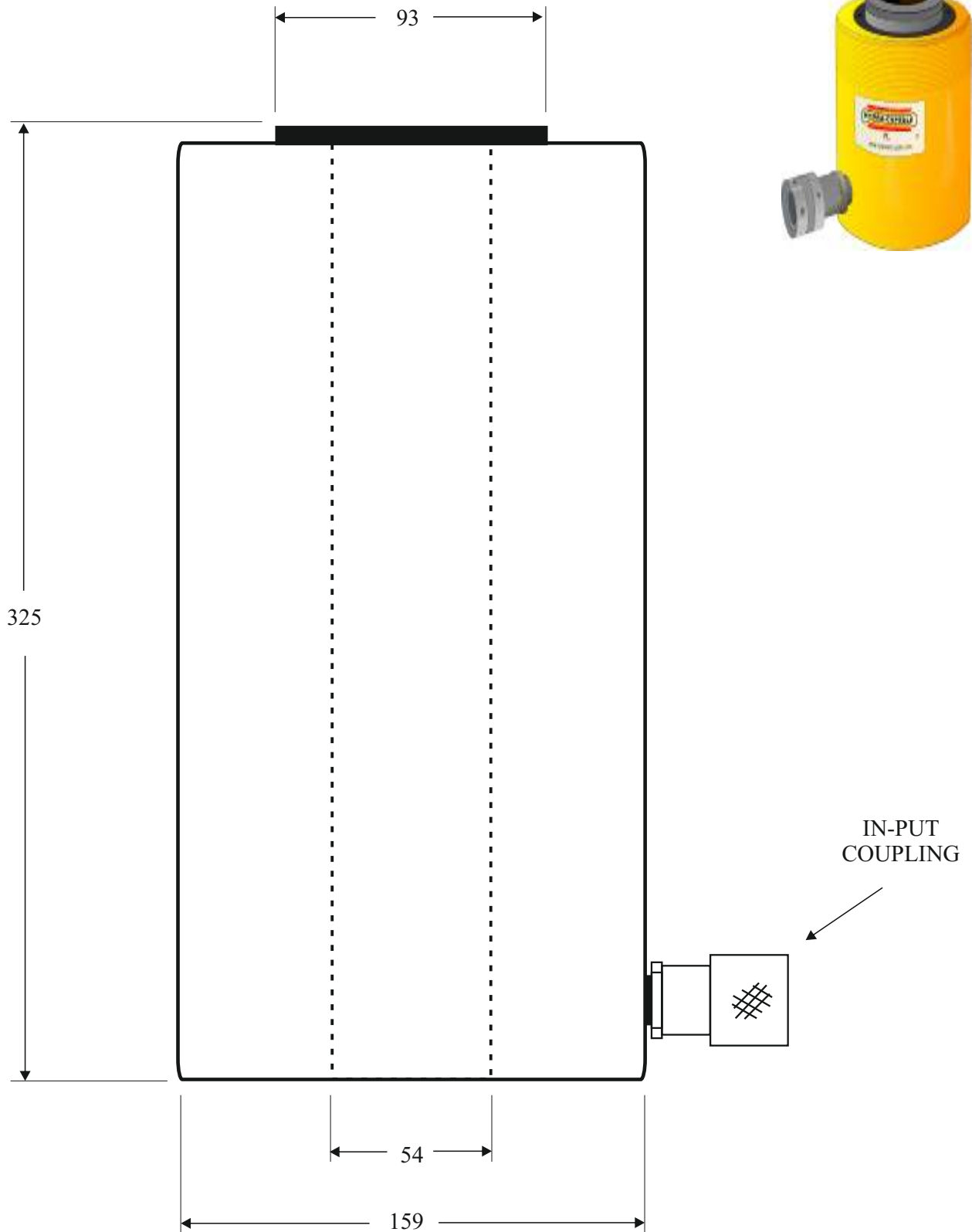


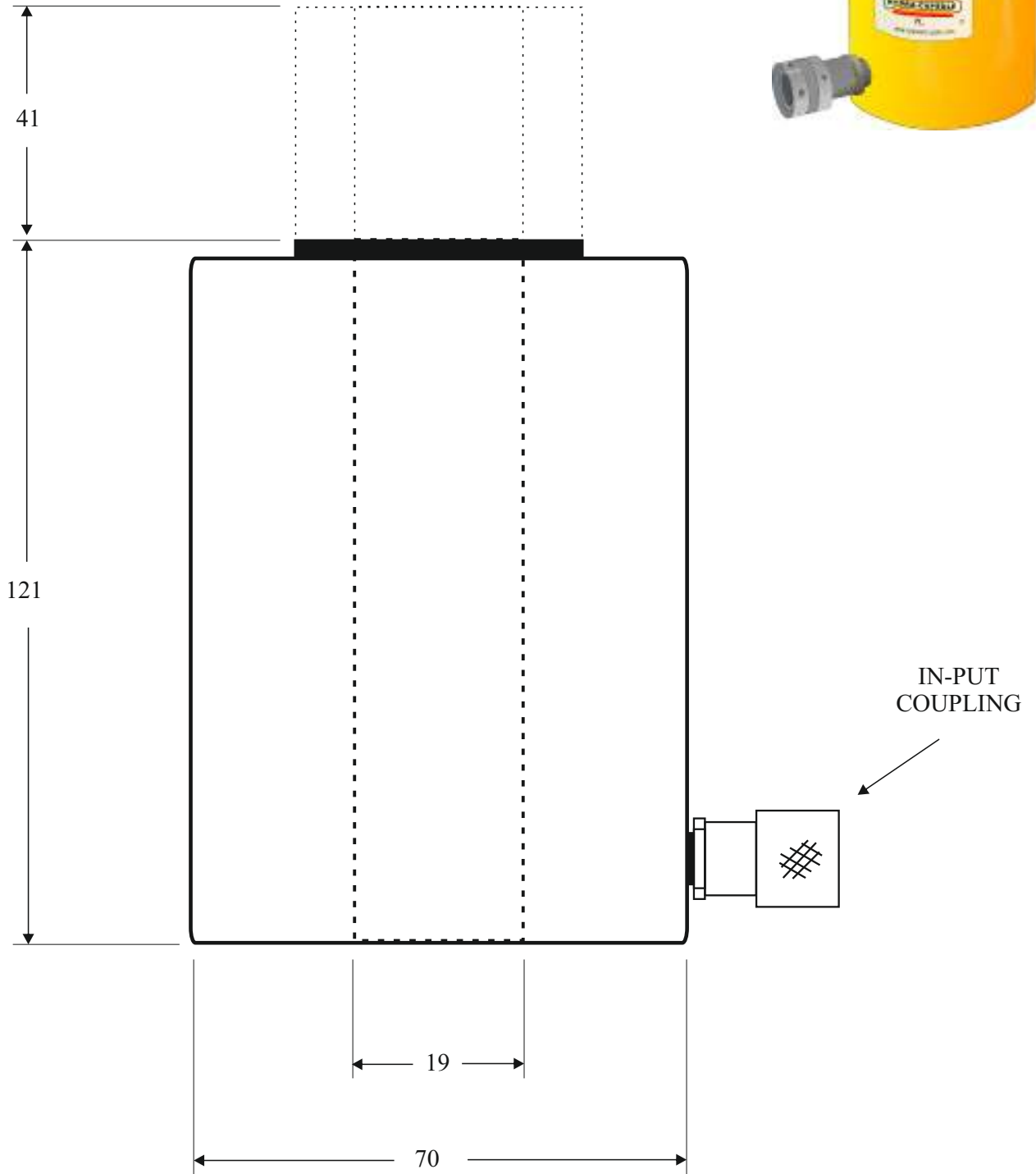
HR60-155 Hydra-Jack



Maximum Capacity:	600 Kns
Maximum Stroke:	152 mm
Maximum Pressure:	700 Bar
Fluid Requirement:	1.32 Lts
Jack Weight :	36.8 Kgs

HYDRA - CAPSULE	
HEAVY DUTY JACKING SYSTEMS	
DESCRIPTION:	HR60-155 Hydra-Jack
DRAWING No.	CorelDrawHR60-155.cdr

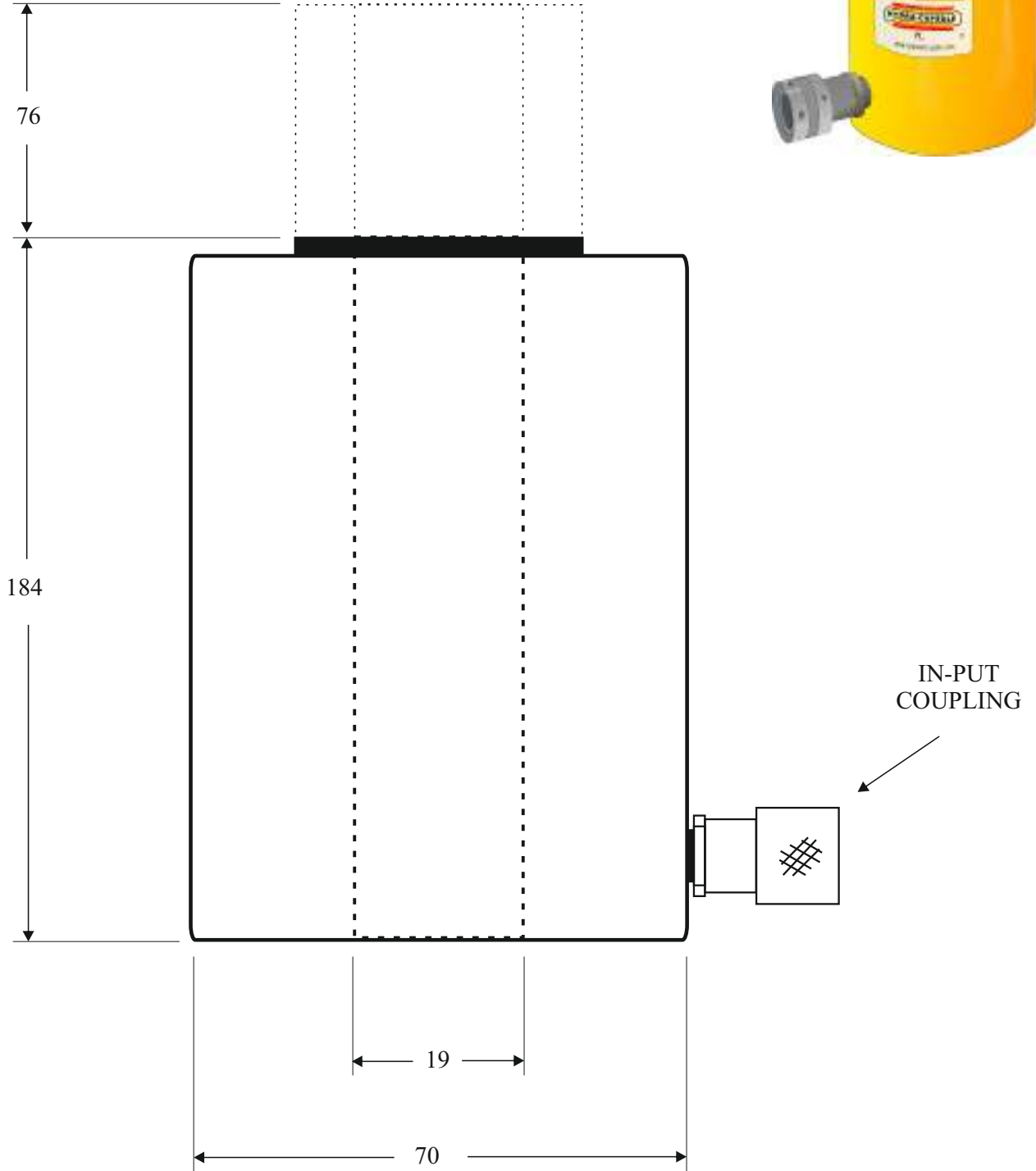
HR10-41 Hydra-Jack



Maximum Capacity:	100 Kns
Maximum Stroke:	41 mm
Maximum Pressure:	700 Bar
Fluid Requirement:	0.08 Lts
Jack Weight :	2.8 Kgs

HYDRA - CAPSULE	
HEAVY DUTY JACKING SYSTEMS	
DESCRIPTION:	HR10-41 Hydra-Jack
DRAWING No.	CorelDrawHR10-41.cdr

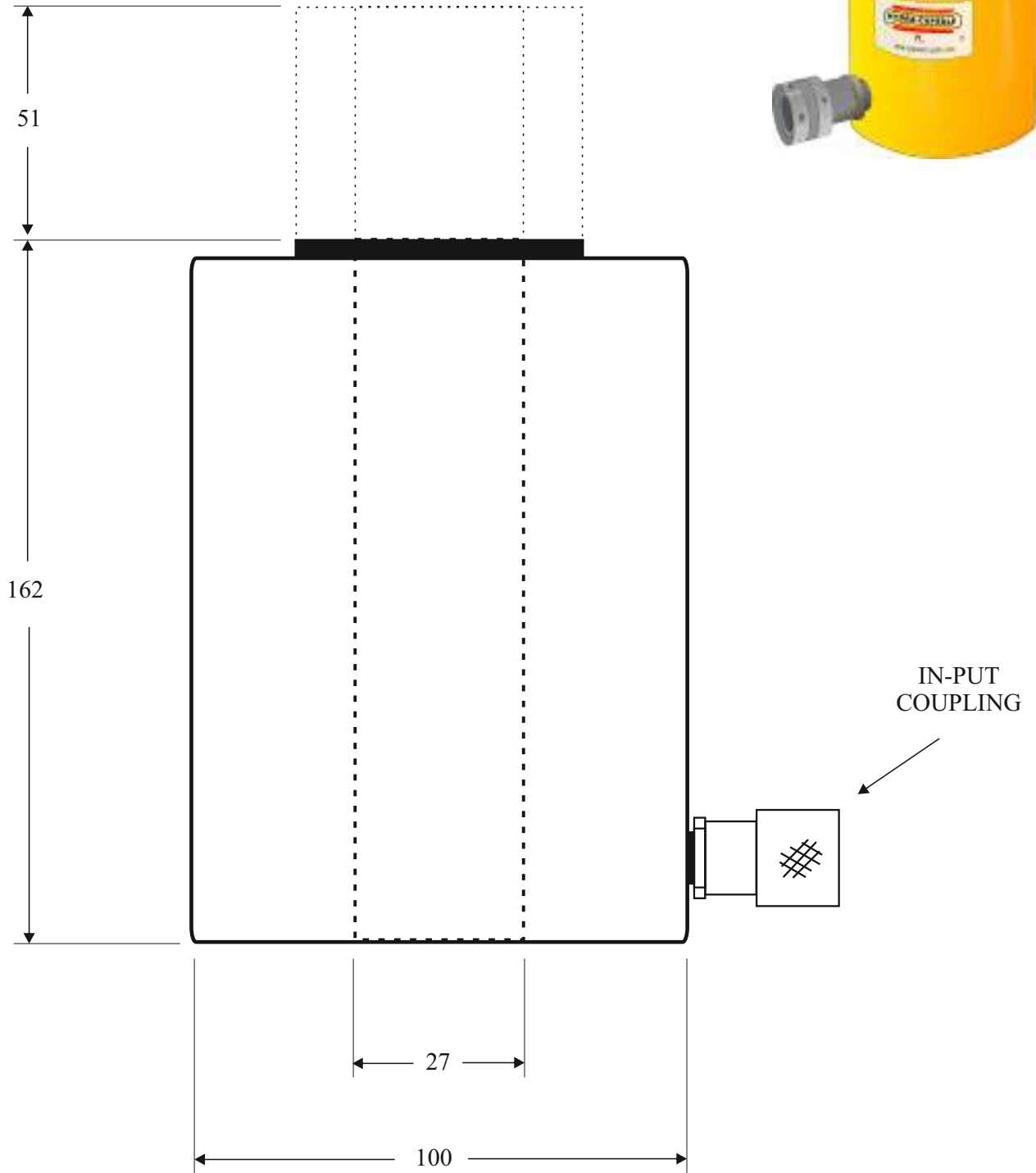
HR10-76 Hydra-Jack



Maximum Capacity:	100 Kns
Maximum Stroke:	76 mm
Maximum Pressure:	700 Bar
Fluid Requirement:	0.15 Lts
Jack Weight :	3.9 Kgs

HYDRA - CAPSULE	
HEAVY DUTY JACKING SYSTEMS	
DESCRIPTION:	HR10-76 Hydra-Jack
DRAWING No.	CorelDrawHR10-76.cdr

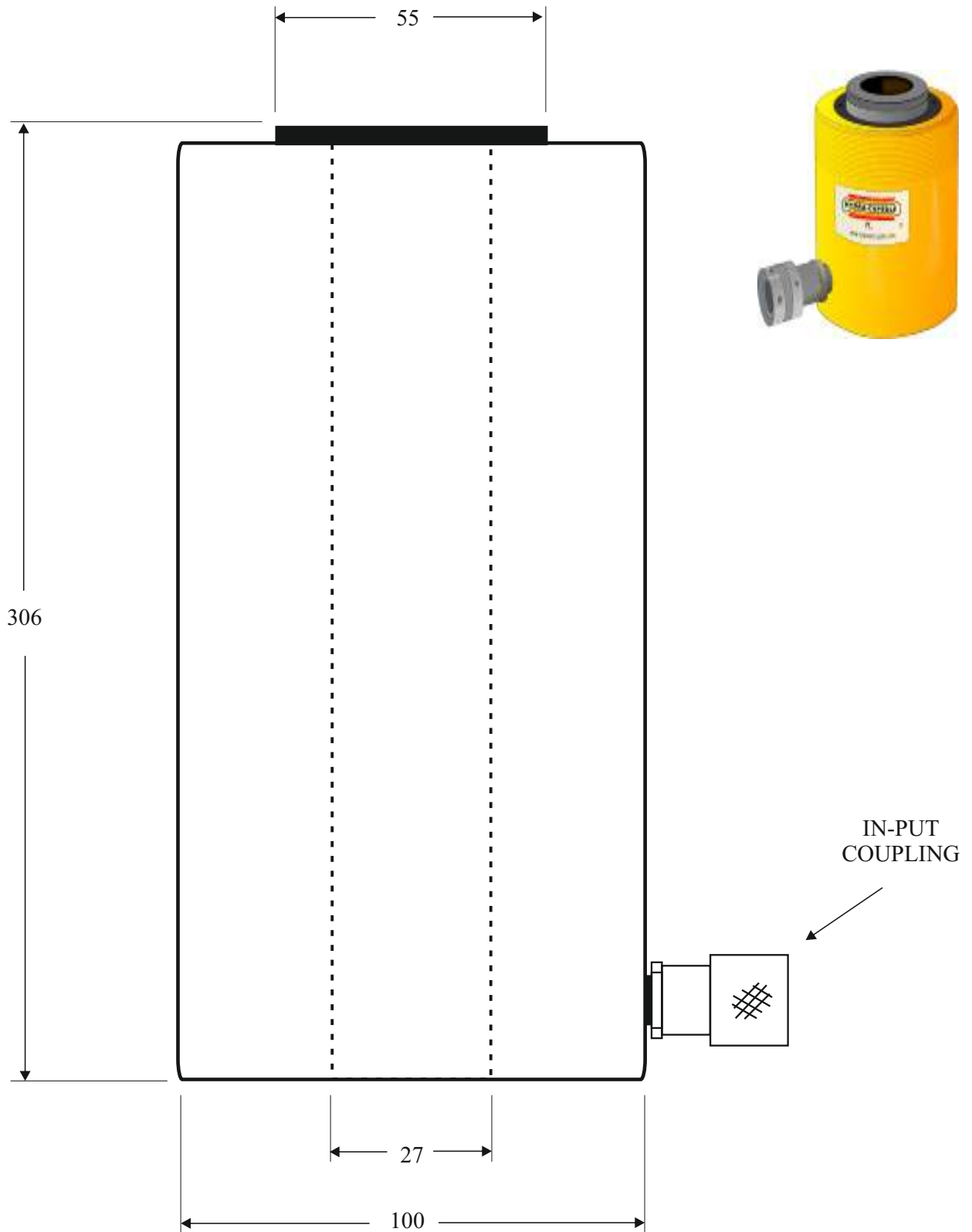
HR20-51 Hydra-Jack



Maximum Capacity:	200 Kns
Maximum Stroke:	51 mm
Maximum Pressure:	700 Bar
Fluid Requirement:	0.17 Lts
Jack Weight :	7.2 Kgs

HYDRA - CAPSULE	
HEAVY DUTY JACKING SYSTEMS	
DESCRIPTION:	HR20-51 Hydra-Jack
DRAWING No.	CorelDrawHR20-51.cdr

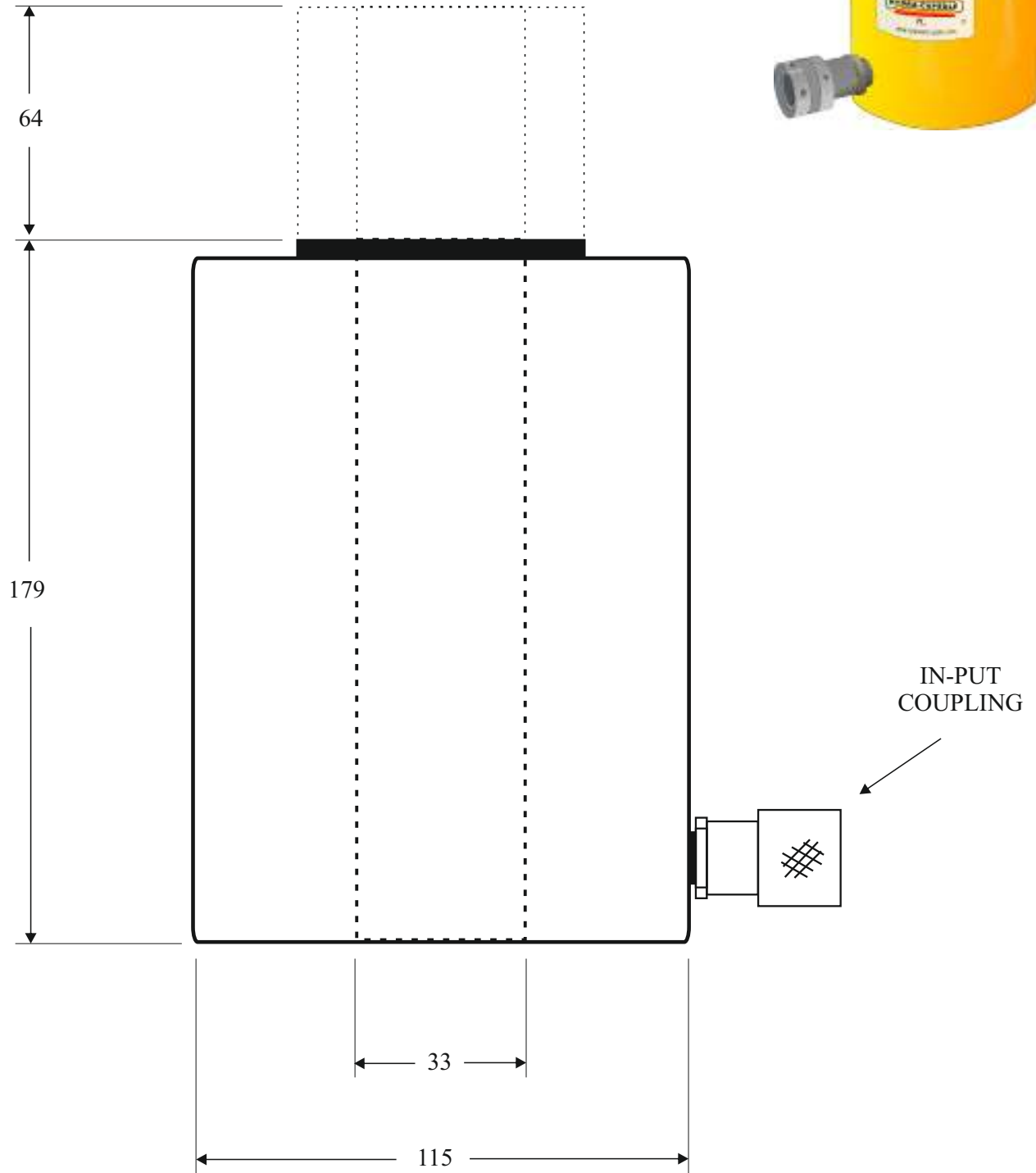
HR20-154 Hollow Ram Cylinder



Maximum Capacity:	200 Kns
Maximum Stroke:	154 mm
Maximum Pressure:	700 Bar
Fluid Requirement:	0.49 Lts
Jack Weight :	13.4 Kgs

HYDRA - CAPSULE	
HEAVY DUTY JACKING SYSTEMS	
DESCRIPTION:	HR20-154 Hollow Ram
DRAWING No.	CorelDrawHR20-154.cdr

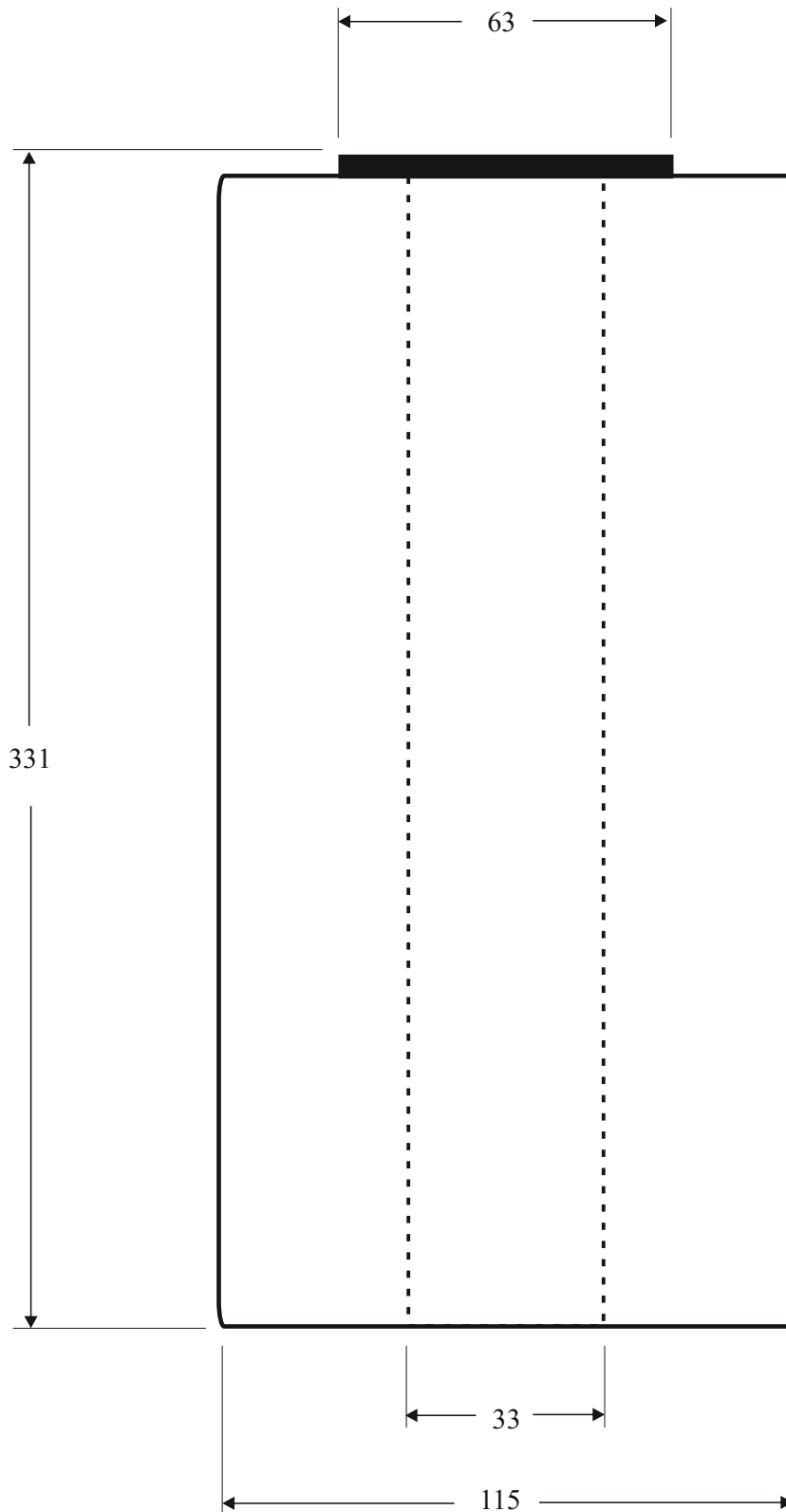
HR30-64 Hydra-Jack



Maximum Capacity:	300 Kns
Maximum Stroke:	64 mm
Maximum Pressure:	700 Bar
Fluid Requirement:	0.28 Lts
Jack Weight :	10.4 Kgs

HYDRA - CAPSULE	
HEAVY DUTY JACKING SYSTEMS	
DESCRIPTION:	HR30-64 Hydra-Jack
DRAWING No.	CorelDrawHR30-64.cdr

HR30-155 Hollow Ram Cylinder

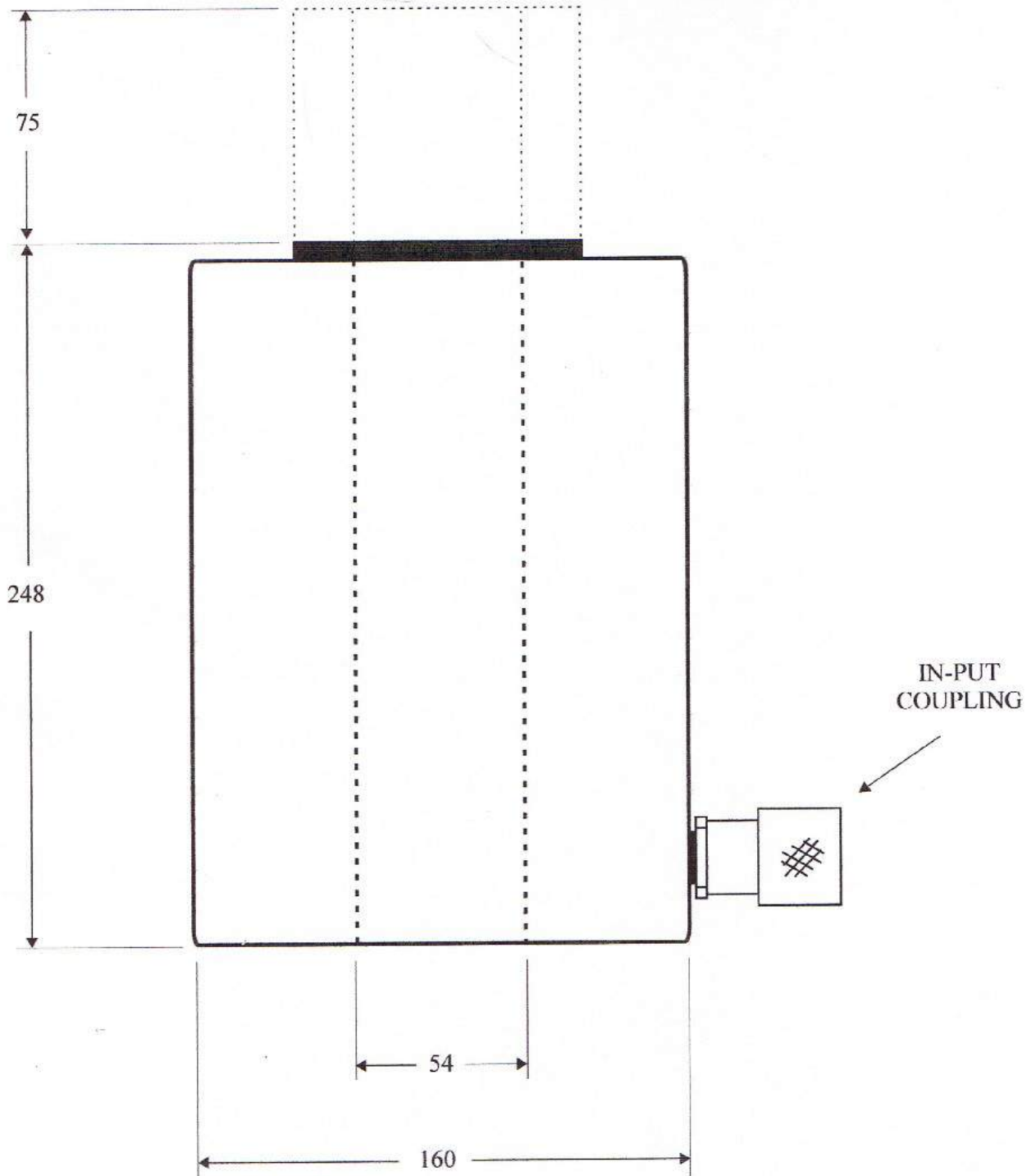


IN-PUT
COUPLING

Maximum Capacity:	300 Kns
Maximum Stroke:	155 mm
Maximum Pressure:	700 Bar
Fluid Requirement:	0.2 Lts
Jack Weight :	19.5 Kgs

HYDRA - CAPSULE	
HEAVY DUTY JACKING SYSTEMS	
DESCRIPTION:	HR30-155 Hollow Ram
DRAWING No.	CorelDrawHR30-155.cdr

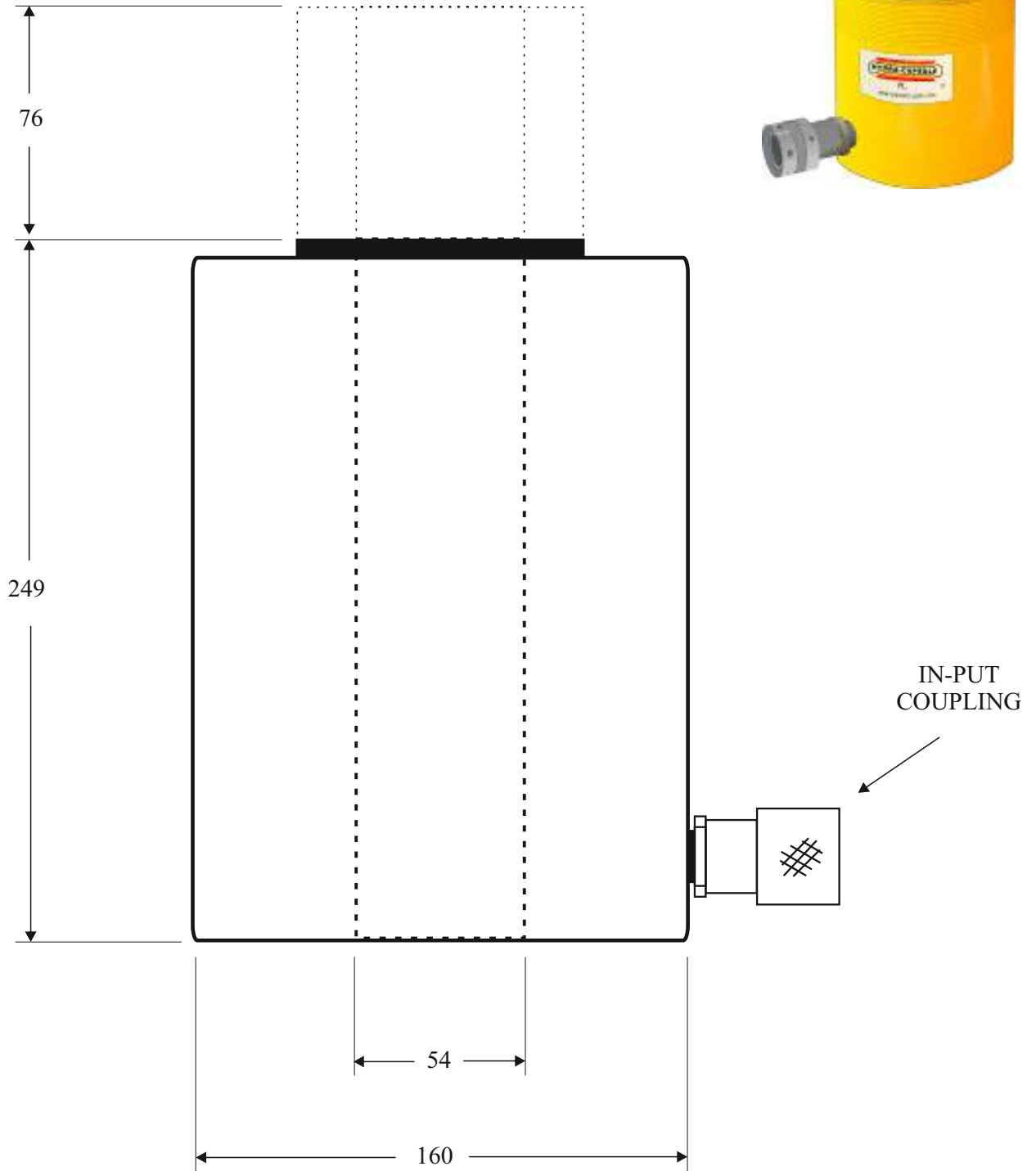
HR60-75 Hydra-Jack



Maximum Capacity:	600 Kns
Maximum Stroke:	75 mm
Maximum Pressure:	700 Bar
Fluid Requirement:	0.66 Lts
Jack Weight :	29.8 Kgs

HYDRA - CAPSULE	
HEAVY DUTY JACKING SYSTEMS	
DESCRIPTION:	HR60-75 Hydra-Jack
DRAWING No.	CorelDrawHR60-75.cdr

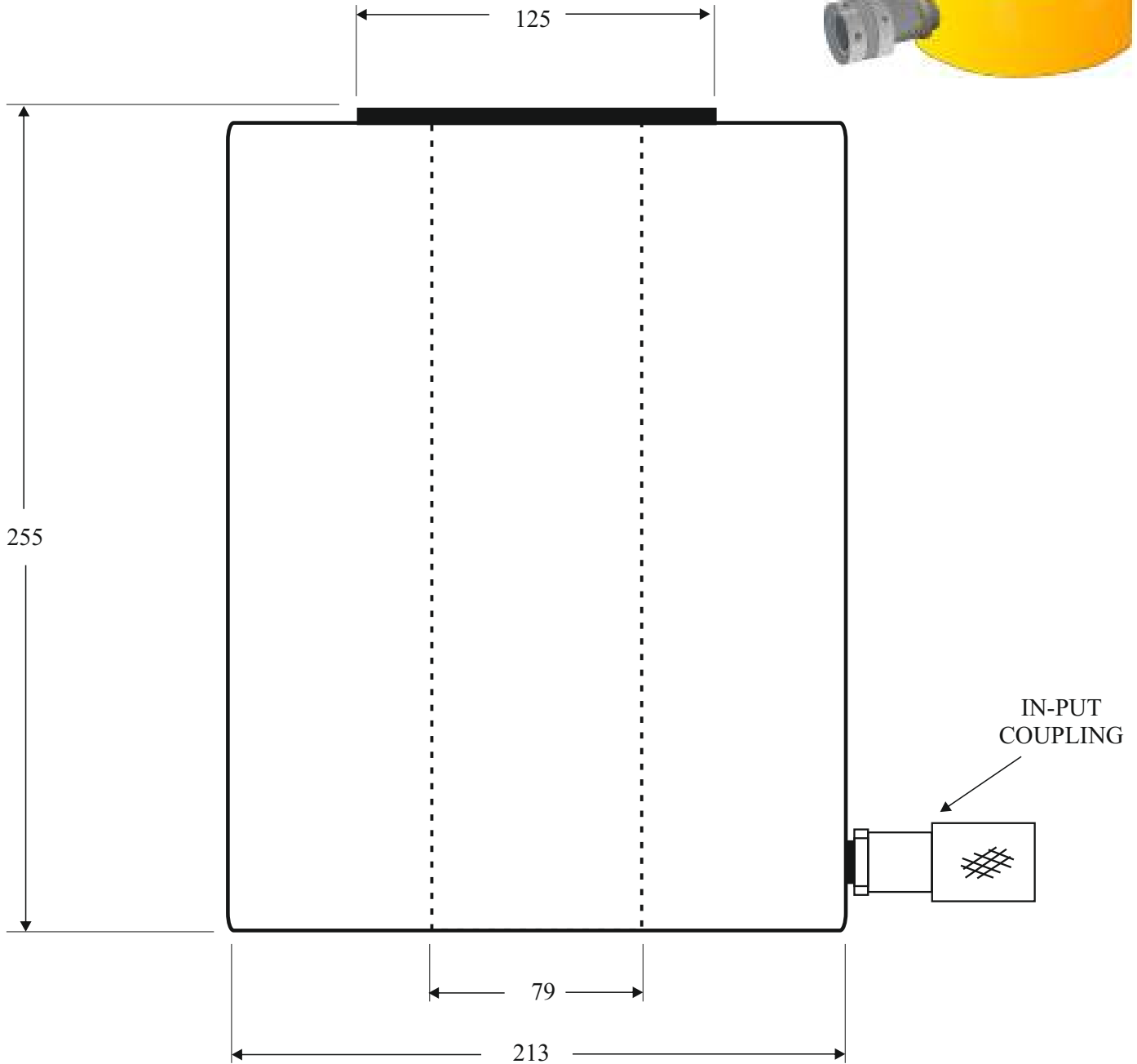
HR60-76 Hydra-Jack



Maximum Capacity:	600 Kns
Maximum Stroke:	76 mm
Maximum Pressure:	700 Bar
Fluid Requirement:	0.66 Lts
Jack Weight :	29.8 Kgs

HYDRA - CAPSULE	
HEAVY DUTY JACKING SYSTEMS	
DESCRIPTION:	HR60-76 Hydra-Jack
DRAWING No.	CorelDrawHR60-76.cdr

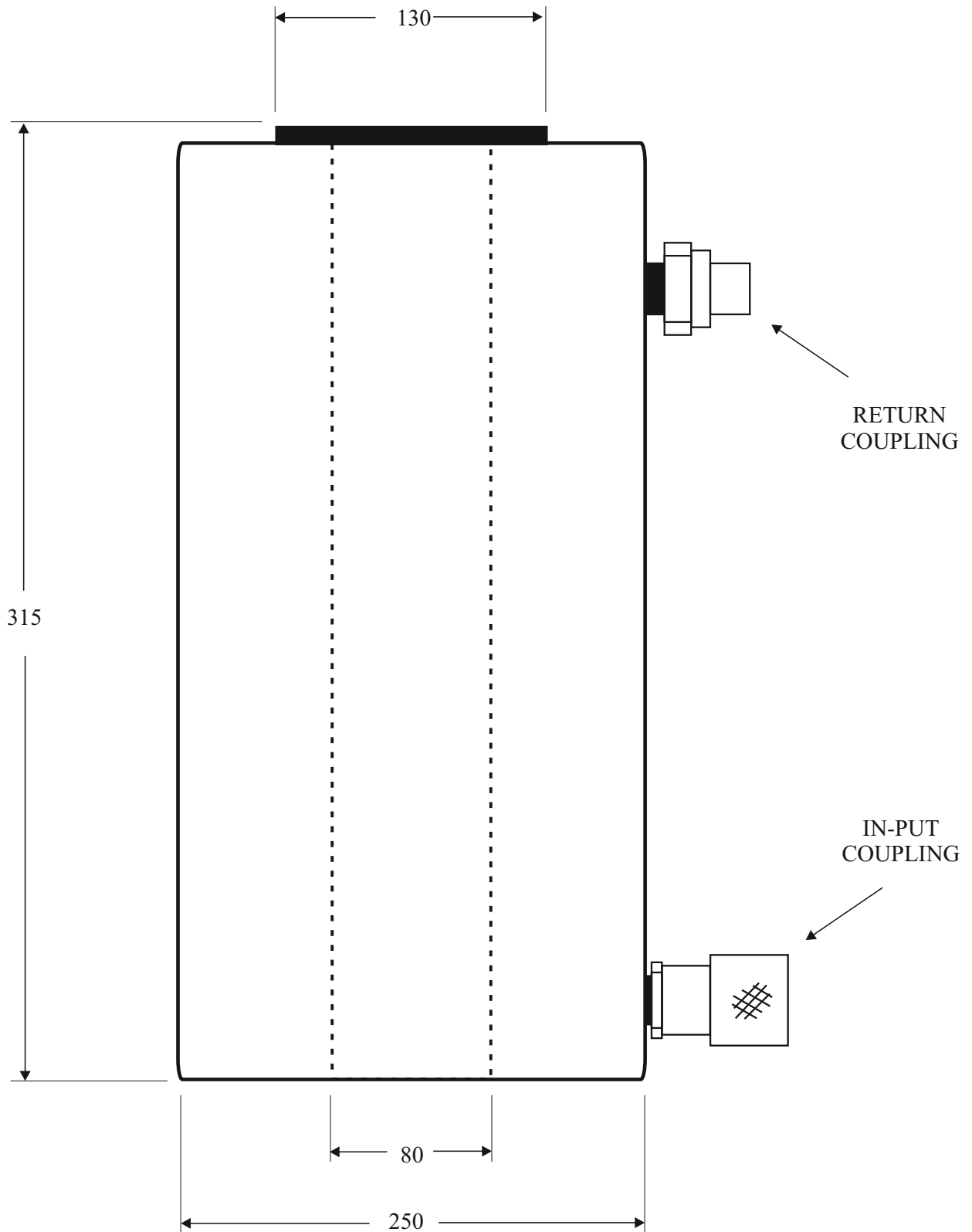
HR100-76 Hydra-Jack



Maximum Capacity:	1000 Kns
Maximum Stroke:	76 mm
Maximum Pressure:	700 Bar
Fluid Requirement:	1.11 Lts
Jack Weight :	51.4 Kgs

HYDRA - CAPSULE	
HEAVY DUTY JACKING SYSTEMS	
DESCRIPTION:	HR100-76 Hydra-Jack
DRAWING No.	CorelDrawHR100-76.cdr

HR150-150 Hollow Ram Jack



Maximum Capacity:	1500 Kns
Maximum Stroke:	152 mm
Maximum Pressure:	700 Bar
Fluid Requirement:	1.66 Lts
Jack Weight :	78.1 Kgs

HYDRA - CAPSULE	
HEAVY DUTY JACKING SYSTEMS	
DESCRIPTION:	HR150-150 Hydra-Jack
DRAWING No.	CorelDrawHR/DA60-150