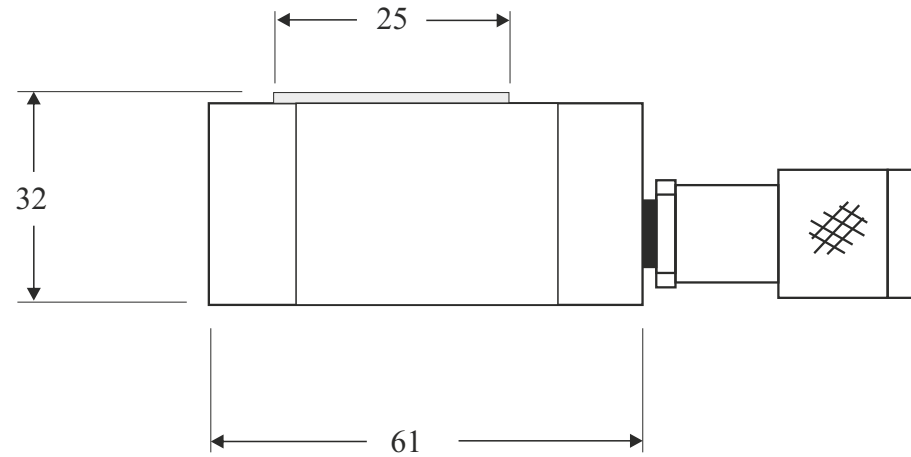
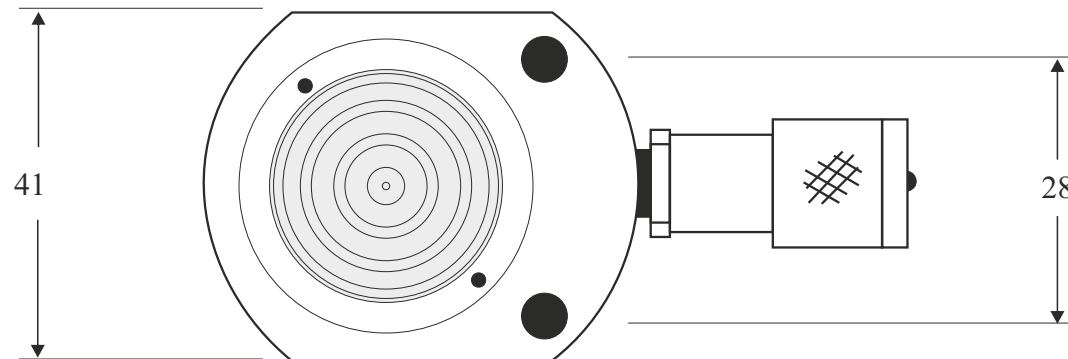


PJ05-06 Pad Jack



IN-PUT
COUPLING

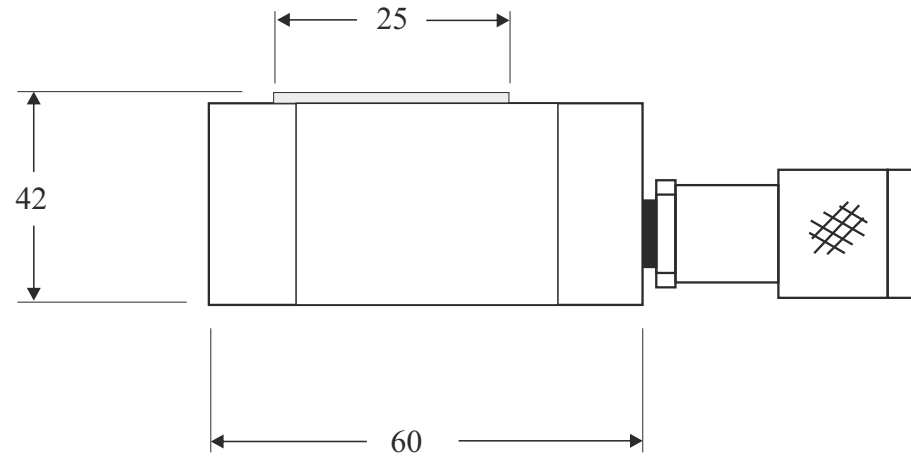


5mm dia,
Fixing Holes

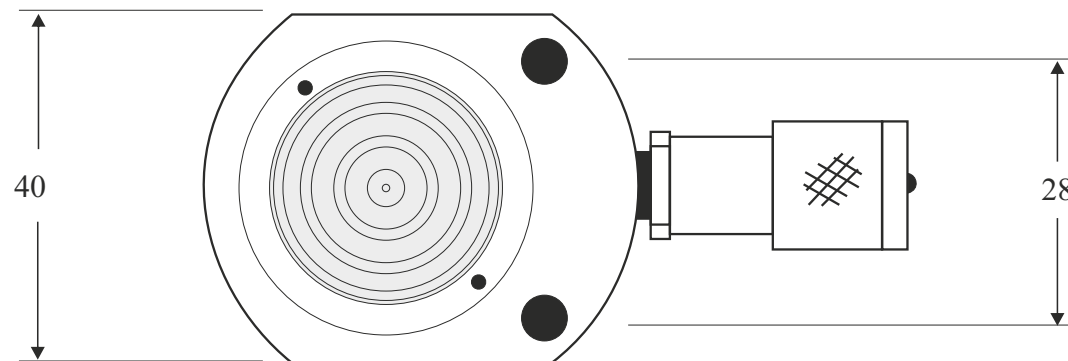
Maximum Capacity:	50 Kns
Maximum Stroke:	06 mm
Maximum Pressure:	700 Bar
Fluid Requirement:	0.01 Lts
Jack Weight :	0.6 Kgs

HYDRA - CAPSULE	
HEAVY DUTY JACKING SYSTEMS	
DESCRIPTION:	PJ05-16 Pad Jack
DRAWING No.	CorelDraw-PJ05-06.cdr

PJ05-16 Pad Jack



IN-PUT
COUPLING

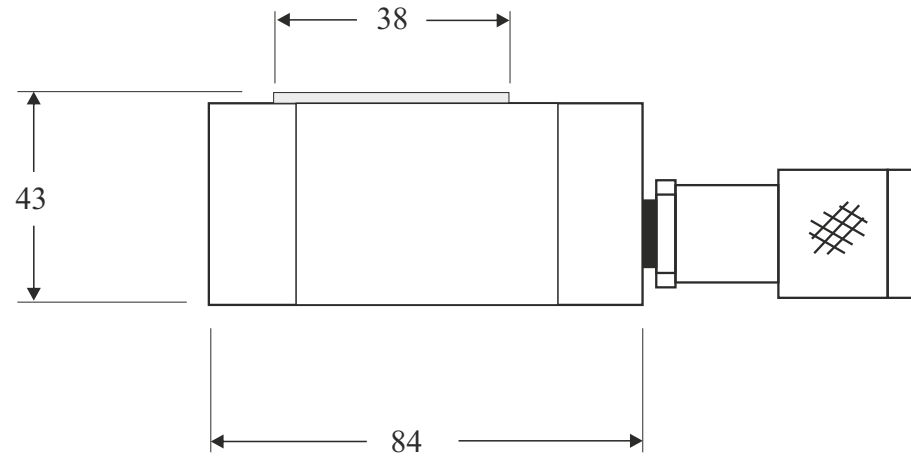


5mm dia,
Fixing Holes

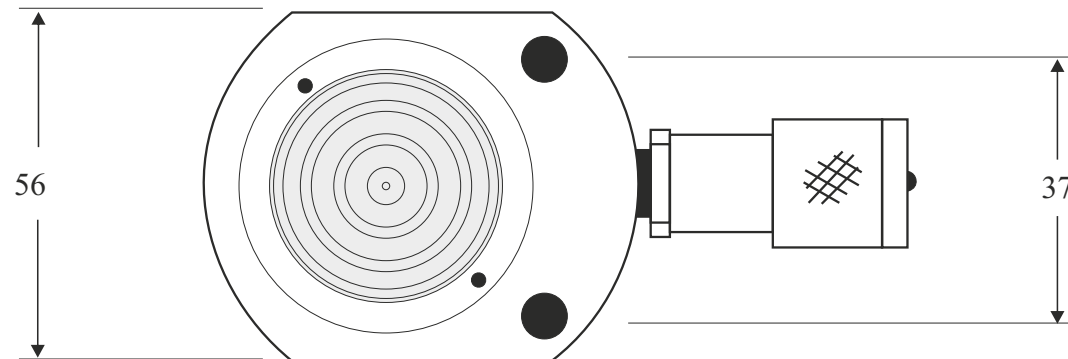
Maximum Capacity:	50 Kns
Maximum Stroke:	16 mm
Maximum Pressure:	700 Bar
Fluid Requirement:	0.01 Lts
Jack Weight :	1.3 Kgs

HYDRA - CAPSULE	
HEAVY DUTY JACKING SYSTEMS	
DESCRIPTION:	PJ05-16 Pad Jack
DRAWING No.	CorelDraw-PJ05-06.cdr

PJ10-11 Pad Jack



IN-PUT
COUPLING

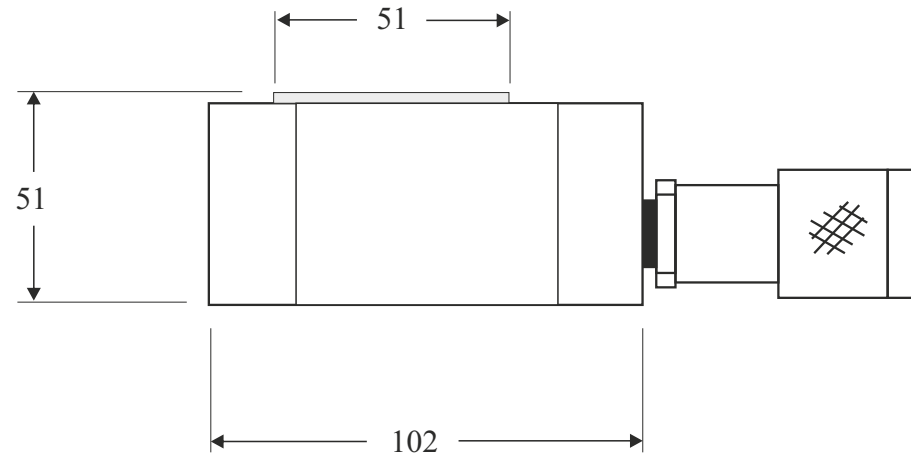


7mm dia,
Fixing Holes

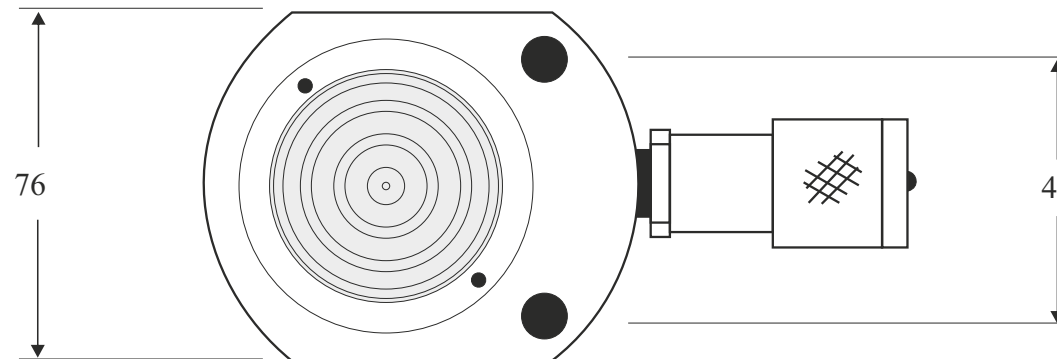
Maximum Capacity:	100 Kns
Maximum Stroke:	11 mm
Maximum Pressure:	700 Bar
Fluid Requirement:	0.02 Lts
Jack Weight :	1.5 Kgs

HYDRA - CAPSULE	
HEAVY DUTY JACKING SYSTEMS	
DESCRIPTION:	PJ10-11 Pad Jack
DRAWING No.	CorelDraw-PJ10-11.cdr

PJ20-11 Pad Jack



IN-PUT
COUPLING

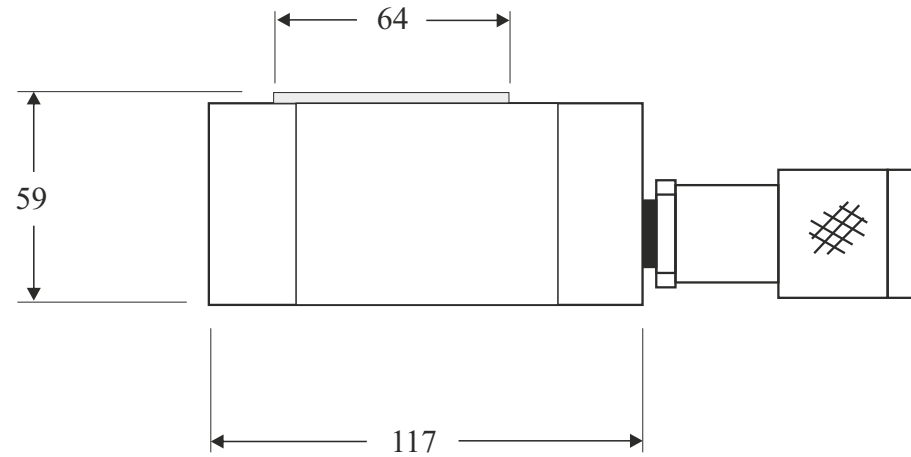


10mm dia,
Fixing Holes

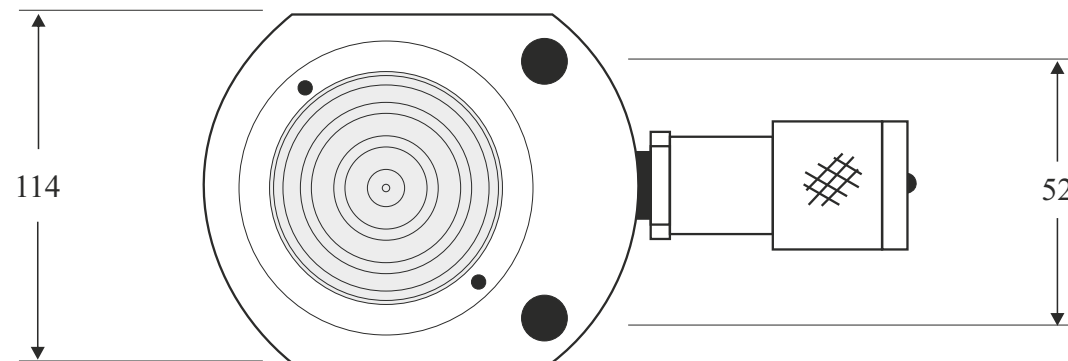
Maximum Capacity:	100 Kns
Maximum Stroke:	11 mm
Maximum Pressure:	700 Bar
Fluid Requirement:	0.02 Lts
Jack Weight :	1.5 Kgs

HYDRA - CAPSULE	
HEAVY DUTY JACKING SYSTEMS	
DESCRIPTION:	PJ20-11 Pad Jack
DRAWING No.	CorelDraw-PJ20-11.cdr

PJ30-13 Pad Jack



IN-PUT
COUPLING

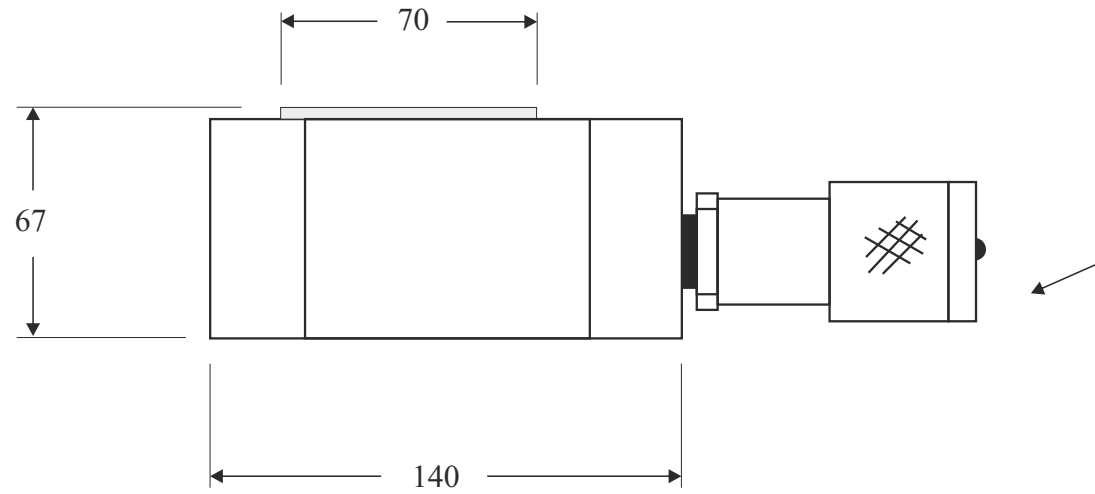
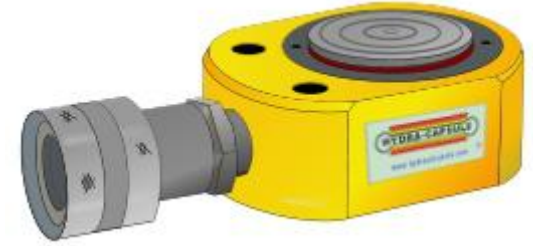


10mm dia,
Fixing Holes

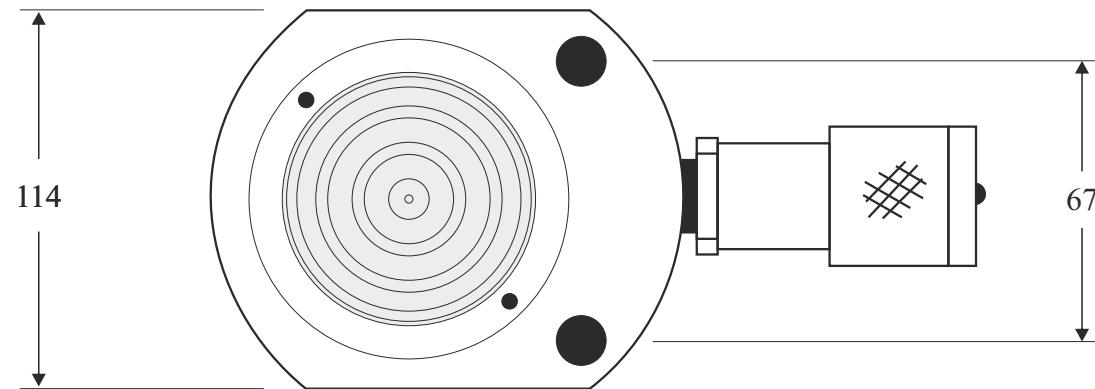
Maximum Capacity:	300 Kns
Maximum Stroke:	13 mm
Maximum Pressure:	700 Bar
Fluid Requirement:	0.06 Lts
Jack Weight :	4.4 Kgs

HEAVY DUTY JACKING SYSTEMS	
DESCRIPTION:	PJ30-13 Pad Jack
DRAWING No.	CorelDraw-PJ30-13.cdr

PJ45-16 Pad Jack



IN-PUT
COUPLING

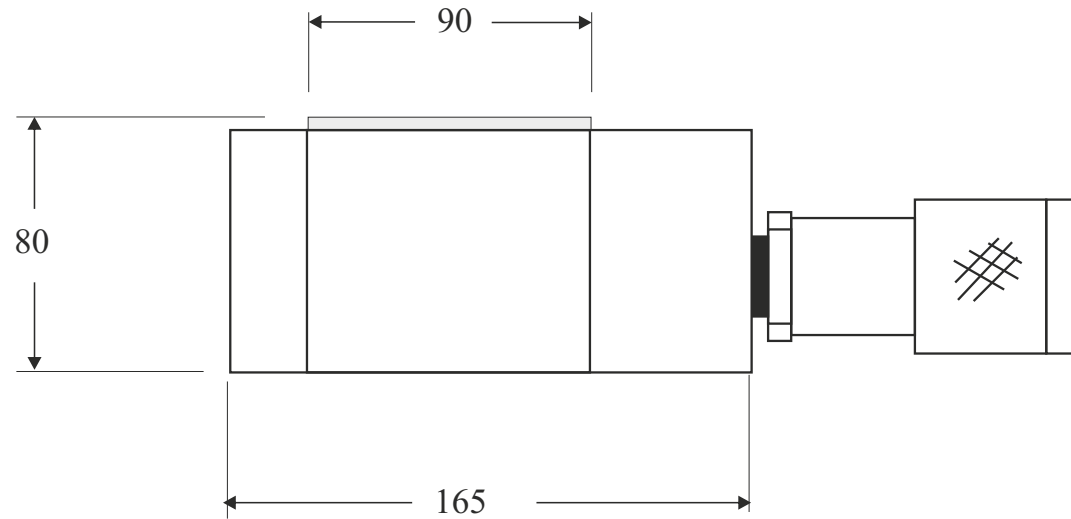
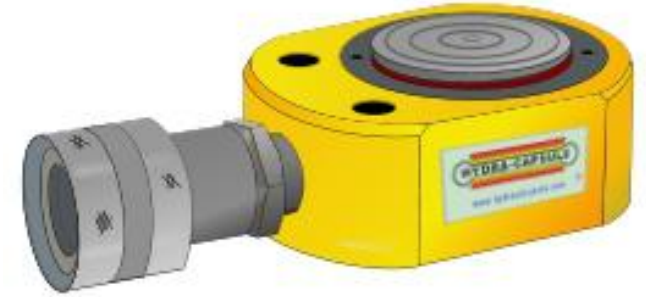


11mm dia,
Fixing Holes

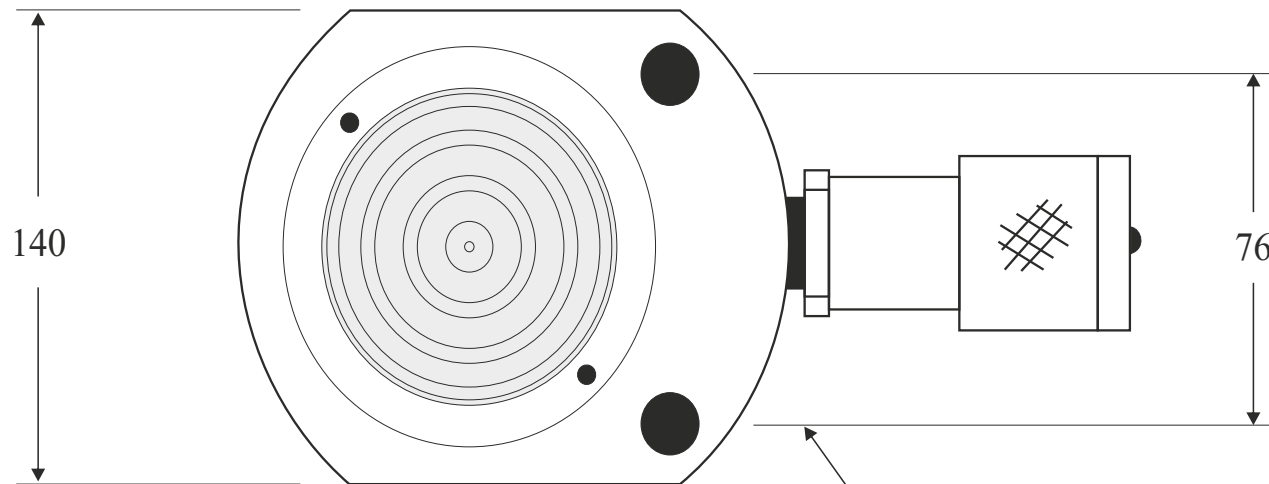
Maximum Capacity:	450 Kns
Maximum Stroke:	16 mm
Maximum Pressure:	700 Bar
Fluid Requirement:	0.11 Lts
Jack Weight :	6.7 Kgs

HYDRA - CAPSULE	
HEAVY DUTY JACKING SYSTEMS	
DESCRIPTION:	PJ45-16 Pad Jack
DRAWING No.	CorelDraw-PJ45-16.cdr

PJ75-16 Pad Jack



IN-PUT
COUPLING



11mm dia,
Fixing Holes

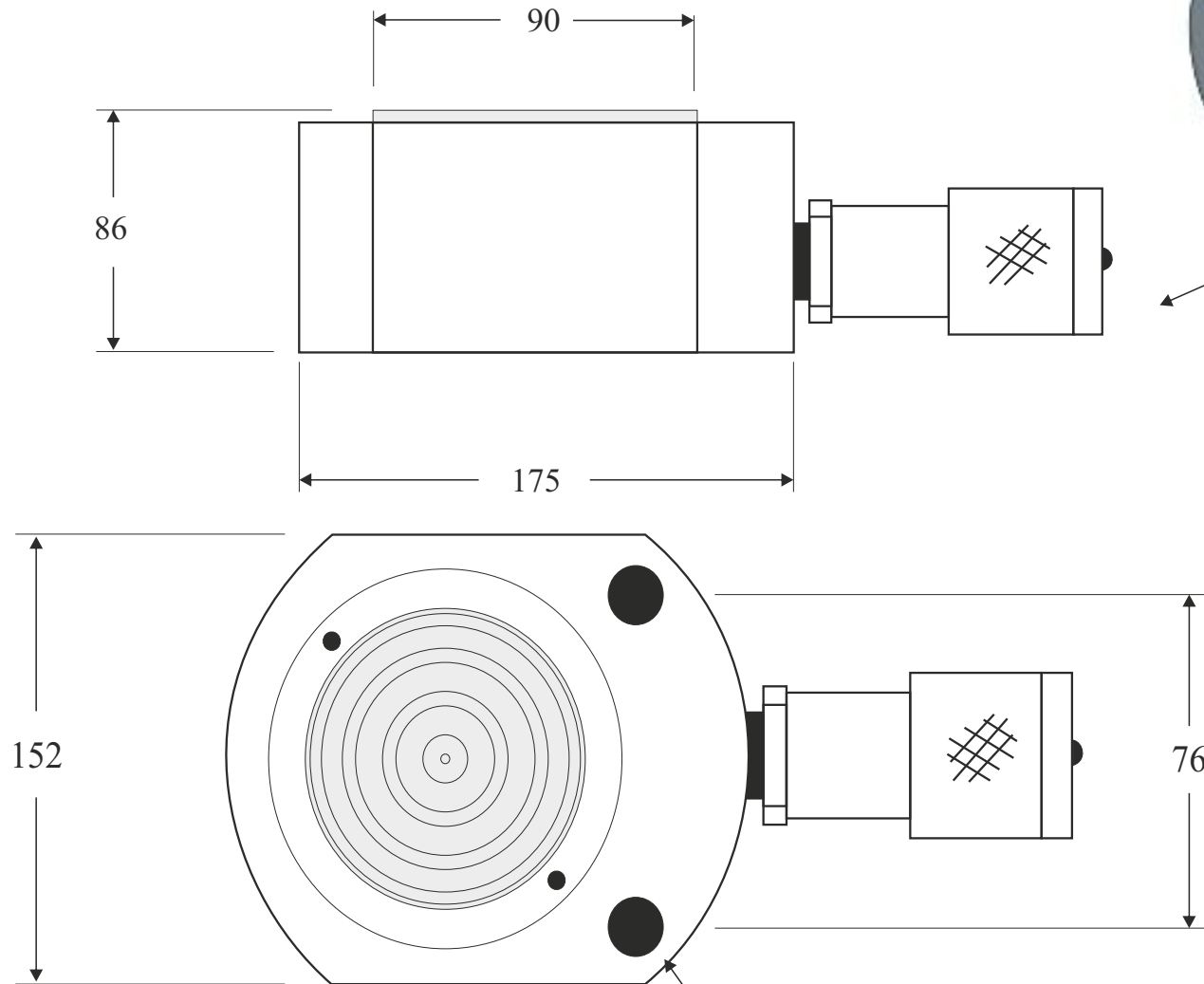
Maximum Capacity:	750 Kns
Maximum Stroke:	16 mm
Maximum Pressure:	700 Bar
Fluid Requirement:	0.17 Lts
Jack Weight :	11.5 Kgs

HYDRA - CAPSULE	
HEAVY DUTY JACKING SYSTEMS	
DESCRIPTION:	PJ75-16 Pad Jack
DRAWING No.	CorelDraw-PJ75-16.cdr

PJ90-16 Pad Jack



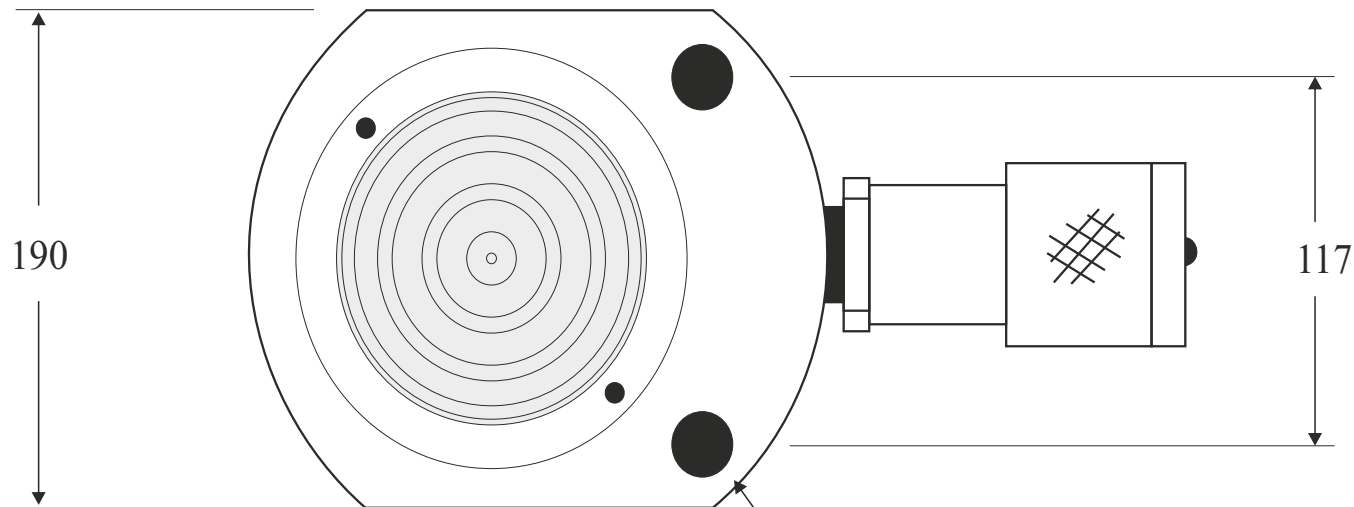
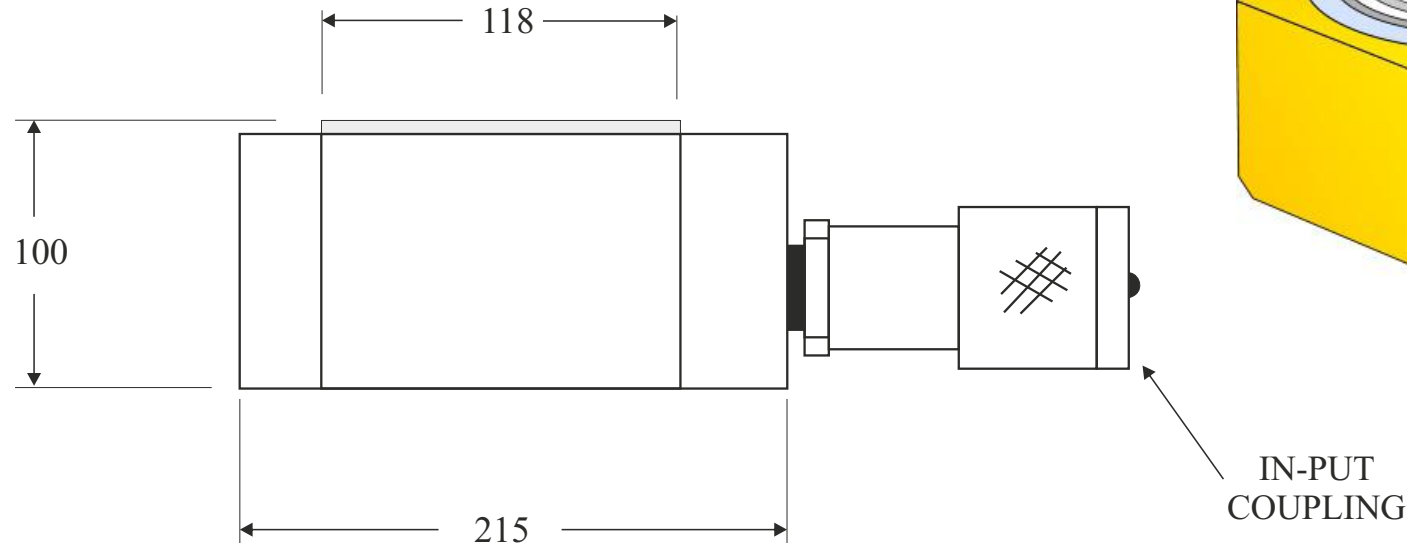
IN-PUT
COUPLING



Maximum Capacity:	900 Kns
Maximum Stroke:	16 mm
Maximum Pressure:	700 Bar
Fluid Requirement:	0.21 Lts
Jack Weight :	14.3 Kgs

HYDRA - CAPSULE	
HEAVY DUTY JACKING SYSTEMS	
DESCRIPTION:	PJ90-16 Pad Jack
DRAWING No.	CorelDraw-PJ90-16.cdr

PJ145-16 Pad Jack



Maximum Capacity:	1450 Kns
Maximum Stroke:	16 mm
Maximum Pressure:	700 Bar
Fluid Requirement:	0.32 Lts
Jack Weight :	24.2 Kgs

HYDRA - CAPSULE	
HEAVY DUTY JACKING SYSTEMS	
DESCRIPTION:	PJ145-16 Pad Jack
DRAWING No.	CorelDraw-PJ145-16.cdr