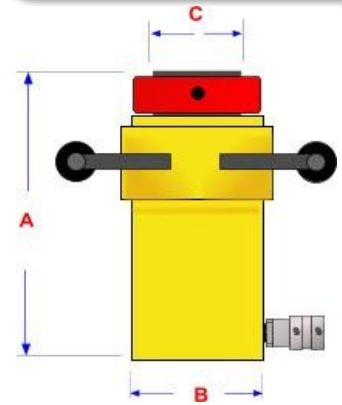
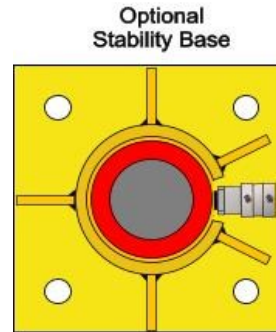


HEAVY DUTY JACKING SYSTEMS

SCREW RAM LOCKING COLLAR CYLINDERS

FEATURES

- CAPACITY 10 TO 1,000 TONNES
- MAXIMUM PRESSURE 700 BAR (10,000 PSI)
- RETAINING GLAND TO STOP OVER STROKING
- STROKE RANGE 40 MM - 300 MM
- PROTECTED PISTON FOR CORROSION RESISTANCE
- MANUFACTURED FROM HIGH STRENGTH STEEL
- WITHSTANDS UPTO 5% SIDE LOADING
- MECHANICAL LOCKING DEVICE (COLLAR NUT)
- LIFTING EYE FOR / HANDLES FOR CYLINDERS
- SINGLE ACTING, LOAD RETURN



Ref	Capacity (kNs)	Stroke (mm)	Closed Height 'A' (mm)	Outside Dia 'B' (mm)	Piston Dia. 'C' (mm)	Oil Cap (CC)	Weight (Kg)
HJ10-40	100	40	90	75	45	105	3
HJ30-50	300	50	135	100	60	204	8
HJ50-50	500	50	165	125	95	454	18
HJ50-150	500	150	265	125	95	1080	28
HJ50-300	500	300	415	125	95	2100	45
HJ100-50	1000	50	195	165	130	680	34
HJ100-150	1000	150	290	165	130	2004	51
HJ100-300	1000	300	440	165	130	3800	79
HJ150-50	1500	50	215	205	160	1045	56
HJ150-150	1500	150	315	205	160	3025	81
HJ150-300	1500	300	460	205	160	6040	120
HJ250-50	2500	50	245	300	210	1980	142
HJ250-150	2500	150	345	300	210	6115	205
HJ250-300	2500	300	495	300	210	12360	310
HJ360-50	3600	50	265	315	230	2580	155
HJ360-150	3600	150	365	315	230	7515	280
HJ360-300	3600	300	515	315	230	1530	325
HJ520-50	5200	50	355	420	290	3600	370
HJ520-150	5200	150	455	420	290	10680	435
HJ520-300	5200	300	605	420	290	21246	637
HJ750-50	7500	50	445	490	350	5890	690
HJ750-150	7500	150	545	490	350	17580	850
HJ750-300	7500	300	695	490	350	35690	1065

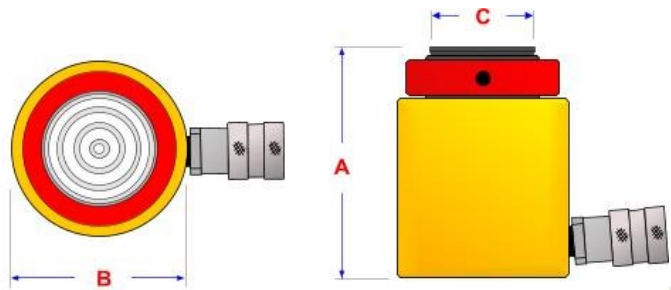
HEAVY DUTY JACKING SYSTEMS

LOW HEIGHT LOCKING COLLAR CYLINDERS

Ref	Capacity (kNs)	Stroke (mm)	Closed Height 'A' (mm)	Outside Dia 'B' (mm)	Piston Dia. 'C' (mm)	Oil Cap (CC)	Weight (Kg)
HJ1000-50	10000	50	500	560	405	7265	965
HJ1000-150	10000	150	600	560	405	21790	1155
HJ1000-300	10000	300	760	560	405	43602	1450

FEATURES

- CAPACITY 60 TO 1,000 TONNES
- MAXIMUM PRESSURE 700 BAR (10,000 PSI)
- RETAINING GLAND TO STOP OVER STROKING
- STROKE RANGE 15 MM - 35 MM
- PROTECTED PISTON FOR CORROSION RESISTANCE
- MANUFACTURED FROM HIGH STRENGTH STEEL
- WITHSTANDS UPTO 5% SIDE LOADING
- MECHANICAL LOCKING DEVICE (COLLAR NUT)
- LIFTING EYE FOR / HANDLES FOR CYLINDERS
- SINGLE ACTING, LOAD RETURN



Ref	Capacity (kNs)	Stroke (mm)	Closed Height 'A' (mm)	Outside Dia 'B' (mm)	Piston Dia. 'C' (mm)	Oil Cap (CC)	Weight (Kg)
LHJ60-50	600	50	130	140	105	435	15
LHJ100-50	1000	50	187	175	135	732	26
LHJ150-15	1500	15	115	200	165	400	35
LHJ150-50	1500	50	155	200	165	1005	46
LHJ200-50	2000	50	160	240	190	1645	59
LHJ250-50	2500	50	164	275	215	2521	76
LHJ360-50	3600	50	175	310	230	2390	96
LHJ520-50	5200	50	198	400	305	3300	193

