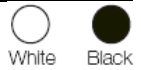




110mm SOIL AND WASTE

	3m SOIL PIPE		TOP OFFSET		STRAP BOSS
	4m SOIL PIPE				
	D/ SOCKET		BOTTOM OFFSET		VENT CAGE
	92 1/2° S/S BEND		ACCESS PIPE		SOCKET
	45° S/S BEND				
	92 1/2° D/S BEND		ACCESS CAP		VENT COWL
	PIPE CLIP		BOSS PIPE		WEATHERING COLLAR
	92 1/2° BRANCH		SHORT BOSS PIPE		AIR ADMITTANCE VALVE



PVC – U SOLVENT WELD WASTE SYSTEM

	32mm PIPE – 3 metre		92 1/2° SWEPT BEND		PIPE CLIPS
	40mm PIPE – 3 metre		32mm & 40mm		32mm & 40mm
	50mm PIPE – 3 metre		50mm		50mm
	STRAIGHT CON		135° OBTUSE BEND		ACCESS CAP
	32mm & 40mm		32mm & 40mm		32mm & 40mm
	50mm		50mm		50mm
	90° KNUCKLE BEND		92 1/2° TEE		REDUCER
	32mm & 40mm		32mm & 40mm		32mm – 40mm
	50mm		50mm		40mm – 50mm



WASTE TRAPS

	BOTTLE TRAPS		S TRAP		WASH/MACH HALF TRAP
	32mm		32mm		
	40mm		40mm		
	TELE BOTTLE TRAP		BATH TRAP		SHOWER TRAP
	32mm		32mm		PLASTIC GRID
	40mm		40mm		CHROME GRID
	P TRAP		WASH/MACH TRAP		SHOWER TRAP
	32mm		40mm		PLASTIC GRID
	40mm				CHROME GRID





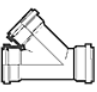


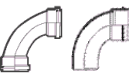

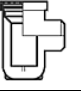

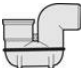



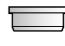
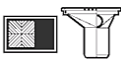



KWICKFIT WC CON – COMPRESSION WASTE & ANCILLARIES

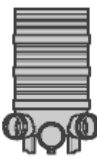
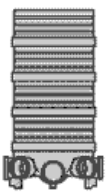








	KWICKFIT STRAIGHT		COMPRESSION STRAIGHT		COMPRESSION TEE
			32mm & 40mm		32mm & 40mm
	KWICKFIT 90°		COMPRESSION 90° BEND		SOLVENT WELD
			32mm & 40mm		125ml
	KWICKFIT SWANNECK 90°		COMPRESSION 135° BEND		LUB GEL
			32mm & 40mm		800gm





110mm UNDERGROUND DRAINAGE

	3m PIPE		87 1/2° D/S TEE		0 - 90° D/S BEND
	6m PIPE		45° D/S TEE		ADJUSTABLE
	DOUBLE SOCKET		87 1/2° T/S Y BRANCH		CAST - PLASTIC
			45° T/S Y BRANCH		JUBILEE CLIP
	87 1/2° S/S BEND		LONG SWEPT BENDS		CLAY - PLASTIC
	45° S/S BEND		87 1/2° S/S BEND		JUBILEE CLIP
	30° S/S BEND		BOTTLE		SQ ALI RODDING
	15° S/S BEND		GULLY		POINT
	11 1/4° S/S BEND				
		'LOWBACK' P TRAP		RAINWATER ADAPTOR	
	87 1/2° D/S BEND				SOCKET
	45° D/S BEND		SQ HOPPER HEAD		PLUG
	30° D/S BEND				
	15° D/S BEND		RECTANGLE		WASTE
	11 1/4° D/S BEND		HOPPER HEAD		ADAPTOR

INSPECTION CHAMBERS

	320mm INSPECTION CHAMBER		460mm INSPECTION CHAMBER
	DEPTH SHOULD NOT EXCEED 600mm		DEPTH SHOULD NOT EXCEED 1.2 metres
	320mm MANHOLE BASE		460mm MANHOLE BASE
	2 x 45° INLETS		2 x 45° INLETS 2 x 90° INLETS
	320mm SIDE RISER		460mm SIDE RISER
	(135mm DEPTH)		(235mm DEPTH)
	320mm PLASTIC LID		460mm PLASTIC LID
	SCREW DOWN - ROUND		SCREW DOWN - ROUND
	320mm PLASTIC LID		460mm PLASTIC LID
	SCREW DOWN - SQUARE		SQUARE

	1 metre CHANNEL DRAINAGE		POLY STORM SOAKAWAY DRAINAGE CRATES