



Jets™ Charm toilet is a wall model vacuum toilet in a porcelain design.  
 Jets™ Charm toilet features low water consumption, reliable flushing and discharge.

### Warranty

All products of the company are sold and all services of the company are offered subject to Jets Vacuum AS General Sales Conditions detailing warranty and terms and conditions of sale, copies of which will be furnished upon request. The information provided herein is for guidance only; it does not constitute a guarantee of the performance or specification of any individual product or component.

### Technical Data

Outside Dimensions.....540 x 370 x 400 mm (LxWxH)  
 Weight.....22.5 kg  
 Bowl Weight.....Approx. 19.4 kg  
 Discharge Valve Outlet.....Outside diameter Ø 50 mm  
 Water Connection.....1/2" male BSP

### Operating Data

Flushing Time..... 5 seconds  
 Discharge Time..... 2 seconds  
 Water Pressure.....2-7 bar  
 Operating Vacuum.....Recommended 30-55 % Vacuum  
 Air Consumption.....Approx. 48 liters at 50% Vacuum  
 Water Consumption.....1 liter/s (3 bar) (adjustable)  
 Note:.....Values are dependent on product selection.

### Patents and Trademarks

Jets™, Vacuumator™, Helivac™, VC™, VOD™, CVS™ and Softsound™ are trademarks and/or registered trademarks of Jets. © Copyright 2011, Jets AS.

### Disclaimer

Product color reproduction is as near to actual color as product methods allow. All rights reserved. Information is subject to change without notice. No part of this document may be reproduced in any form without prior written approval.

### Options

*Optional functions compatible with this product.*

VFD: Vacuum Flush and Discharge  
 CFD: Central Flush and Discharge  
 LFD: Local Flush and Discharge

### Components

*Construction Characteristics*

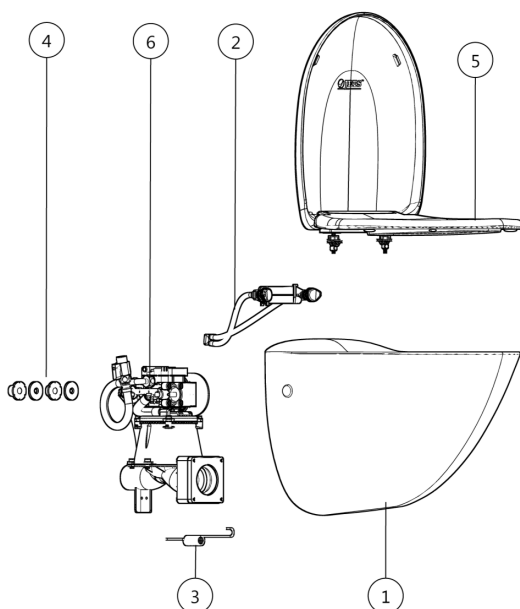
- ① Toilet Bowl JETS Charm.....066607100\*
- ② Flushing Nozzle Kit.....069503157\*
- ③ Spring.....053531720\*
- ④ Fastening Kit, wall.....069606400\*
- ⑤ Seat & Cover.....Product Selection
- ⑥ Valve.....See options listed above

*\* Component/s available as replacement parts.*

### Accessories

*Construction Characteristics*

- Vacuum Breaker Kit.....034507320
- Rubber Elbow w/hose clip.....034505450
- Rubber Sleeve w/hose clip.....034505550
- Rag Hook w/support.....034102902
- Fastening Kit, wall.....069606302
- Cap.....069606304
- Bracket, retrofit toilet.....069000300
- Pipe Packet.....034399300
- Coaming.....037609312



## Important Health and Safety Information

Installation, operation and maintenance must be carried out in strict accordance with this guide and with all applicable regulations. For your own protection and the protection of others, it is necessary to familiarize yourself with, and always follow, the contained safety and environmental precautions for our products.

This manual is an integral part of the product/delivery. Always keep it in a safe place for future reference. It is entirely the owner's responsibility to ensure that all safety and environmental measures, in accordance with local, state and federal laws are followed. Jets Vacuum AS assumes no responsibility for equipment damage, personal injury or death and/or delays that result from a lack of respect for the instructions for installation and/or use as stated in this documentation. Disregarding these instructions may invalidate all warranties.

Safety information references are in accordance with Jets Vacuum AS documentation system. If you do not understand the warnings, stop work immediately and contact Jets Vacuum AS (citing the safety reference number) for further clarification.

For further information about the included warnings or any other safety concerns please contact Jets Vacuum AS.

## Safety Warning Symbols



General information to all users.



Symbol denotes required personal protective equipment is required.



CAUTION: Indicates a potentially hazardous situation which, if not avoided, may result in minor or moderate injury or equipment damage.



Symbol denotes required personal protective equipment is required.



DANGER: Indicates an imminently hazardous situation which, if not avoided, will result in death or serious injury or equipment damage.

## Important Health and Safety Warnings



### 1.1 Warning

Jets Vacuum AS recommend qualified person(s) in accordance with all applicable codes and standards to carry out all installation work, electrical wiring, plumbing and operate this product. Equipment damage, injury to personnel or death could result from improper installation/use.



### 1.3 Warning

Failure to properly lift and support equipment can result in serious physical injury and/or equipment damage. Lift equipment only at specifically identified lifting points or as instructed in the current IOM. Note: Lifting devices (eyebolts, slings, spreaders, etc.) must be rated, selected, and used for the entire load being lifted.



### 1.5 Personal Protective Equipment - Goggles

Wear safety glasses with side shields at all times when working with equipment.



### 1.7 Warning

Keep other persons at a safe distance from work area.



### 2.1 Warning

The safety of the equipment is guaranteed only if it is used in compliance with the instructions provided by the supplier. The limits indicated must never be exceeded in any given situation.



### 1.2 Warning

Be thoroughly familiar with the controls and the proper use of the equipment prior to installing, starting or using the equipment. Know the equipment application, limitations and potential hazards.



### 1.4 Warning

Safety equipment (PPE) necessary for the prevention of accidents at the installation and operating site must be provided in accordance with local regulations.



### 1.6 Warning

Keep work area clean, uncluttered and ensure adequate lighting.



### 1.9 Personal Protective Equipment - Gloves

Wear suitable protective gloves at all times when working with equipment.



### 12.5 Notice

Use this equipment only in the manner intended by Jets Vacuum AS. If you have questions after reading these instructions contact Jets Vacuum AS directly.

## Delivery, Receipt of Goods and Transportation

Goods to be protected against shock, dust, humidity and moisture. Suitable adequately dimensioned transporting equipment is to be used. Note that the equipment may contain components that are easily damaged as a result of inappropriate handling. Jets Vacuum AS is not responsible for or liable for delivery delays resulting from occurrences outside of Jets Vacuum AS' immediate control. On receipt of goods, check for visual damage. Any damage detected after dispatch should be reported immediately to Jets Vacuum AS. Damages and/or discrepancies must be reported in writing no later than eight (8) days after receipt of goods. Commissioning must be postponed until the equipment has been inspected. Do not dispose of damaged items. Your direct supplier will advise you of the procedure to follow.

## Storage

Unless otherwise specified, goods are to be stored in a dry environment between -30°C and +40°C prior to installation. The storage location must be dust free, low humidity ( $\leq 95\%$ ) and be free from moisture. Keep clear of foreign objects.

## Installation to End Use

Site to be a dry environment between +0°C and +45°C. Use in environments below 0°C requires use of antifreeze in liquids. The site location is to be low vibration  $V_{rms} < 0.2$  mm/s) with vibration resistance to acceleration up to 0.7g. The site is to be dust free and protected from grinding and welding. During installation, the site is to be protected from water, frost, moisture and humidity. Goods are to be stored as per the instructions for delivery, storage and transport. A visual inspection is to be carried out on receipt of goods as well as at the time of installation to ensure that storage and transport conditions after receipt have not compromised the quality of the product/s.

## Installation

### Standards and Regulations

To install a Jets™ toilet it is first required that the room be prepared according to all local, state and federal standards and requirements. Industry specific standards must also be met. Considerations that must be made include but are not limited to:

- Appropriate proportioned drain pipes.
- Water barriers/membrane.

### Water Barrier

Note that in some countries, and as per the majority of standards and regulations, it is prohibited to mount toilets directly onto the wall if mounting requires that the water barrier be compromised. Wall mounted toilets, in these circumstances, are therefore required to be mounted on internally constructed walls within the water barrier. Check requirements according to local codes and standards before beginning any installation work.

### General Disclaimer

Drawings provided in the following examples are for illustration purposes only. Product details may vary from your individual purchase.

### Pre-Installation Considerations

It is recommended that items such as wall mounted release buttons, false boxed walls, drainage and piping etc. be installed/constructed, prior to installation of the toilet.

### Connection with Pressurized/Mains Water

To connect pressurized water (i.e. mains water) to the toilet, the water pipe must be installed. The connection required is a 1/2" BSP standard connection. The water pressure must be a minimum of 1.8kp/2 bar and must not exceed 7 bar.

### Installation Instructions

Toilet installation requires the following procedures to be carried out. For more specific technical details, refer to the component products individual technical data sheet. For documentation that is delivered as a part of a manual or compiled technical document, the contents list contains a listing of all enclosed documentation. For further information on any of the instructions supplied, any questions regarding installation and or the products, please contact your local supplier or Jets™ Service Department.

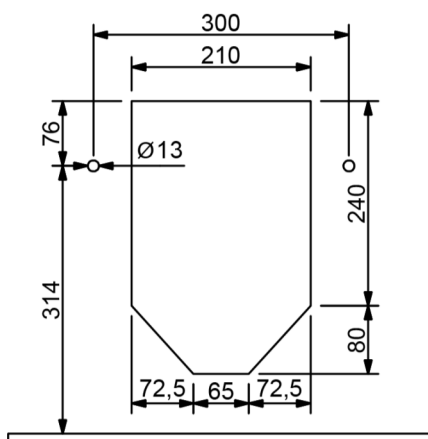
### Pre-Installation Wall Preparation

The toilet is a wall mounted model which can be installed in locations where

- a service hatch at the rear is available (see Service Access).
- the toilet bowl is to be removed from the wall for service (see Standard Installation).

For retrofit installations, contact your local approved supplier or Jets Vacuum AS for further information.

### Service Access

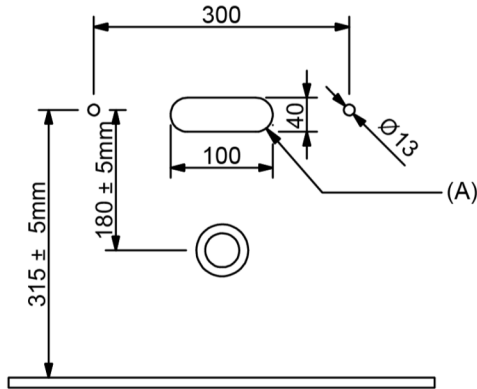


Optional Service Access:

If service access from the rear is available, a cutout in the wall surface will allow for maintenance to be carried out without removing the toilet from the wall.

## Standard Installation

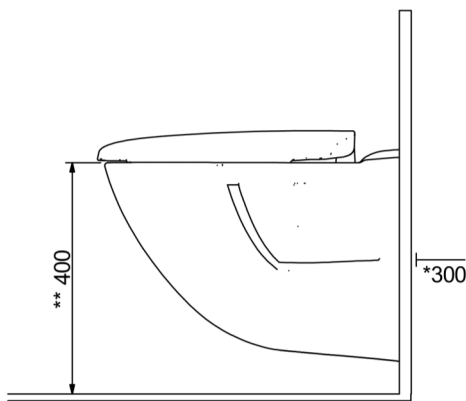
The toilet is delivered with a fastening kit aimed at installation on existing wall mounted bolts. Note that the fastening kit is not included in the Toilet Jets™ Charm delivery. The fastening kit may be purchased through your Jets Vacuum AS supplier.



Bolts should be installed on adequately dimensioned weight bearing studs or a suitable mounting frame. Ensure that mounting bolts are positioned horizontally 300mm apart.

(A) Water Connection/Vacuum Breaker (Optional)

## Maintenance Access and Installation Height



\* 300mm Cavity

If maintenance is to occur without removing the bowl from the wall fixture, a 300mm cavity is required.

If maintenance is to occur by removing the bowl from the wall fixture, no maintenance cavity is required behind the wall.

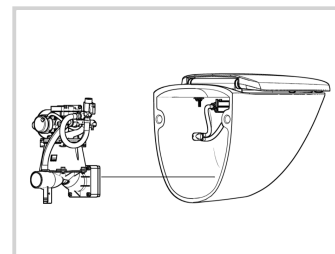
\*\* 400mm Toilet Height

Seat height is variable. It is recommended that the top of the toilet bowl be installed at a height of 400mm from the floor surface for standard installations.

1

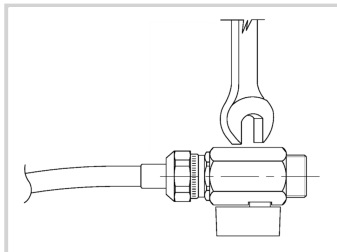
### Prepare the Wall Mounting

Prepare the wall mounting as per the instructions above. Note that the toilet may be mounted on appropriately positioned pre-existing mounting bolts, bolts installed for the purpose of mounting this toilet or an appropriately dimensioned mounting frame.



2

Install the valve as per the products installation instructions found in the products technical data. Note: only for deliveries supplied without a pre-installed valve.

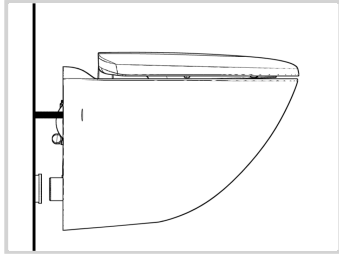


3

Connect the ball valve from the valve to the water main.  
Note: Do not over tighten.

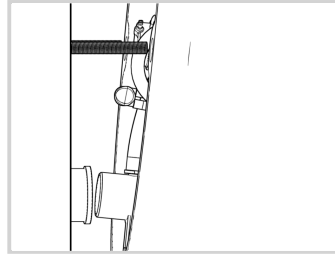
4

Connect the release button/mechanism hose to the toilet valve.  
For connection information see the installation description provided in the Release Button's technical data sheet.



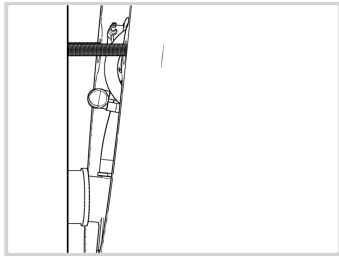
5

The toilet is to be positioned with the mounting bolts through the mounting holes in the porcelain bowl.



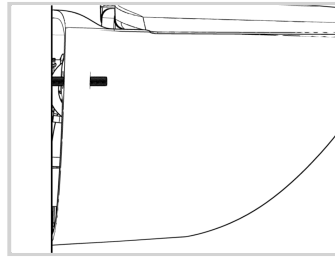
6

Position the toilet bowl on the mounting bolts.



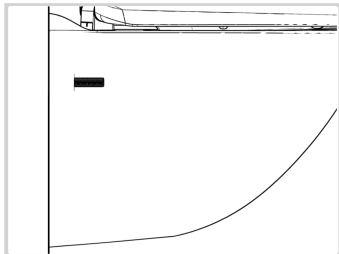
7

When lowering the toilet bowl into position on the bolts, ensure that the valve outlet is securely fitted in the outlet pipe in the wall.



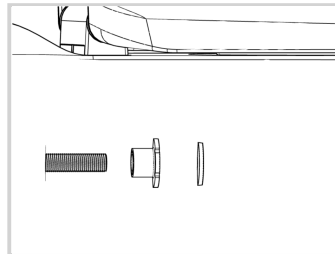
8

Press the toilet firmly into the outlet pipe to secure the connection.



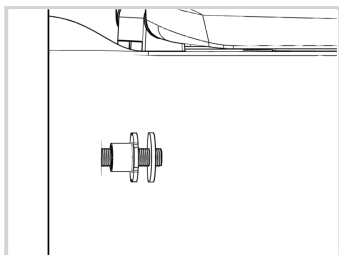
9

The bowl should be even and aligned with the wall surface.



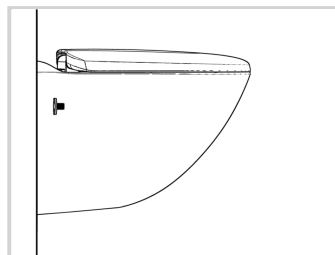
10

Fit the Fastening Kit, wall to secure the toilet to the mounting bolts.



11

Note that an M12 nut is required to secure the toilet (not supplied in the standard delivery). Secure the nut firmly without over tightening.



12

Completed.

13

## Function Check to be Completed Prior to Use

1. Clean the bottom of the bowl.
2. Ensure that the discharge valve has been securely connected to the outlet pipe.
3. Check that the water supply is connected and water pressure is adequate.
4. Turn on the water supply.
5. Press the release mechanism to activate the valve.
6. Check that the bowl fills with water.
7. Check that sufficient vacuum is created when activating the release mechanism to release the contents of the bowl.
8. Check that the water level in the bowl is restored.
9. Check that water is dispersed on the bowl surface by the flushing mechanism.
10. Check that there are no water or air leaks.

## Service and Maintenance

### Out of Use - Not in Regular Use

The following procedures are to be followed if a toilet is to be out of use over a longer period of time (i.e for cabins and recreational houses).

1. Close the water supply valve.
2. Run a flush cycle by activating the release mechanism.
3. Close the toilet seat cover.
4. CAUTION: This toilet is not intended for use in temperatures below freezing without appropriate antifreeze measures being taken. For locations where frost/freezing may occur, frost protection measures must be taken. For further information contact Jets Vacuum AS or your nearest supplier for a copy of technical information regarding frost protection measures.
5. CAUTION: Never use automotive antifreeze (ethylene glycol) in the toilet system.
6. Turn off the power.

NOTE: Failure to adequately protect the toilet system from damages may result in void of your warranty coverage.

NOTE: Jets Vacuum AS reserves the right to deny any warranty claim submitted if the claim is caused by frost/freezing damage.

### Cleaning Instructions

1. Mild soap or biological cleaners are recommended for cleaning the toilet. See Jets Vacuum AS product range for suitable cleaning solutions.
2. Do not use cleaners that create foam.
3. The toilet is to be cleaned regularly to maintain hygiene.
4. Do not use caustic cleaners (such as drain cleaner) or bleach. These products may damage components in the toilet system.
5. If using abrasive, chlorine or corrosive cleaners, avoid contact with the seat and cover/hinges.
6. For scale buildup, we recommend use of Jets Vacuum AS biological descale products. Contact your Jets Vacuum AS supplier for information.
7. Note that maintaining water in the toilet bowl will prevent odors.

### Spare Parts and Accessories

Available spare parts are indicated in the component list for the toilet. Spare parts and accessories can be ordered via your local Jets Vacuum AS supplier. For multi-toilet installations, a complete recommendation for spare parts is available. Contact your Jets Vacuum AS supplier for details.

### Service and Maintenance

Jets Vacuum AS provides all customers with 24 hour worldwide technical assistance. For urgent matters please contact Jets Vacuum AS service department directly at +47 70039100. For other matters, please contact your nearest Jets Vacuum AS supplier.

1. Disassembly of the toilet must be carried out by a licensed professional.
2. All local, state and federal regulations regarding water barriers and plumbing must be adhered to.
3. Disassembly of components may void the warranty.
4. Refer to the technical data sheets for specific product information. Refer to the products troubleshooting information for general maintenance.
5. It is recommended that service and maintenance routines be carried out in accordance with the information in this document.

When making enquiries, please have the following information available.

1. Toilet model number.
2. For valve enquiries: Valve serial number (the serial number identification is located on the label applied to the valve).
3. Part number, description, quantity (see the product component list for details).

### Locating a Water Leak

To locate the source of a water leak, first thoroughly dry all surfaces. Leaks at room temperature can make it difficult to feel wetness. Using a piece of soft tissue pat the surface. When the tissue comes in contact with water it will immediately change texture.

## Scheduled Maintenance

Interval	Action	Note
Regularly - dependent on frequency of use.	Clean the toilet.	Clean the toilet as per instructions provided in the products technical information.
As required.	Check for damage to equipment. Replace or repair damaged equipment and take measures to prevent future damage to the system.	Note that frost and/or freezing may damage sanitary systems if precautions have not been taken. Contact your nearest Jets™ supplier for information on Jets™ range of frost protection products for installations in cold climate locations.

## Troubleshooting

Jets Vacuum AS provides the following troubleshooting information to assist in resolving issues that may arise with your installation. For more detailed information or assistance, please contact Jets Vacuum AS.

Problem	Cause	Action
Water is refilled in the toilet, but the content is not discharged	Loss of vacuum in the toilet/pipe system.	Check the vacuum level to ensure that it is adequate.
		Check the pipes and any connected equipment including the valve, pump etc. for foreign objects. Remove any blockages in the system.
		Check the pipe system to ensure there is no air entering the pipes/damage to the pipe system.
The normal water level in the toilet bowl is reducing/low.	Low water pressure.	Increase the water pressure.
		Check the filter in the water connection/ball valve to ensure that it is not blocked. Replace the filter if required.
The toilet bowl is slow to empty.	The pump/pipes are blocked.	Check for foreign objects and remove the blockage.
	Build up of urine scale in the pipes and/or pump.	Check for urine scale build-up and descale the affected areas. See Jets™ selection of cleaning products for this purpose.
Air bubbles in the toilet bowl.	Blocked pipe outlet.	Check for blockages and remove. Correct any environmental causes. Note blockages may be caused by frost etc.
	Backflow in the installation.	Check the pipes have been correctly installed.
	The Non-return Valve is not closing.	Clean the non-return valve.
	If connected to a tank, the tank is full.	Empty the tank.
Mist forms from the flushing nozzles.	The water pressure/flow needs to be reduced.	Reduce the water pressure/flow by partially closing the ball valve on the water connection.
Flushing results in water from the nozzles spraying outside of the toilet bowl.		