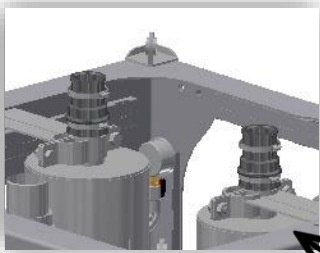


We hope you are all settled into the new year and 2017 is treating you well!

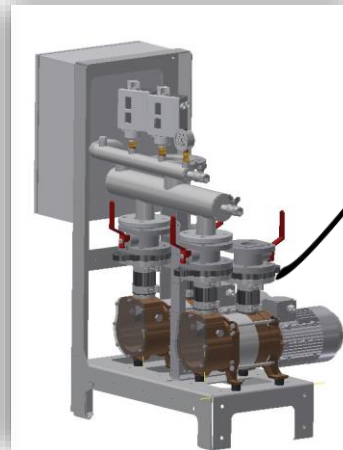
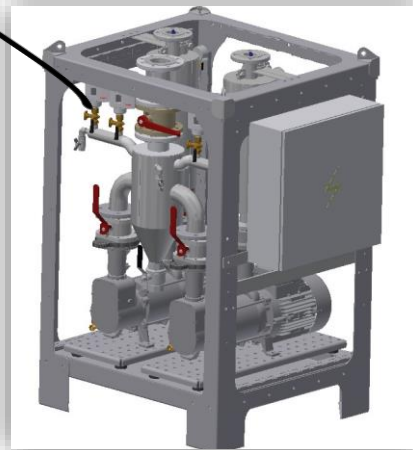
A NEW RANGE OF STANDARDIZED PREFABRICATED UNITS has been released

VU30, VU50, VU190 and VU280 units



VU190 and VU280 now with integrated drip-tray.

illustrated unit with the alternatives muff- and flange connection.



VU30 and VU50 units now let you choose the mounting direction of the Vacuumarator<sup>TM</sup> pumps (left or right).

These redesigned standard units incorporate several improvements and adjustments, meaning we can now offer products of a higher standard than ever before. The key differences are:

### Easier transport and handling

The newly redesigned VU190 and VU280 Vacuumarator<sup>TM</sup> units can easily be lifted into place with their new and improved foundation system. And their smaller siblings, the VU30 and VU50 Vacuumarator<sup>TM</sup> units, are now easier and more stable to move around with a forklift.

### Smoother operation through monitoring.

With manometers on each of the discharge lines, you can easily monitor that the system is operating smoothly and safely.

### Easier maintenance and service.

Thanks to the new base of the foundation system, Vacuumarator<sup>TM</sup> pumps are easier to remove for service. If you need to open the glass, our new drip-tray fits perfectly beneath the pumps (some models even have an integrated tray). If spills do occur, our new manifold contains an outlet & valve to be used as a "vacuum cleaner".

### Improved delivery precision.

Keeping these new, standardized vacuum units in stock means we can offer improved delivery precision.

### Both muff and flange connections available.

The standardization of our product range does not negatively impact your choice of connection types: you are free to select either muff connections or flange connections for your Vacuumarator<sup>TM</sup> units.

### CONTACT DETAILS:

Telephone: 01725 513264

Email: admin@ottervacuum.co.uk

Website: www.ottervacuum.co.uk