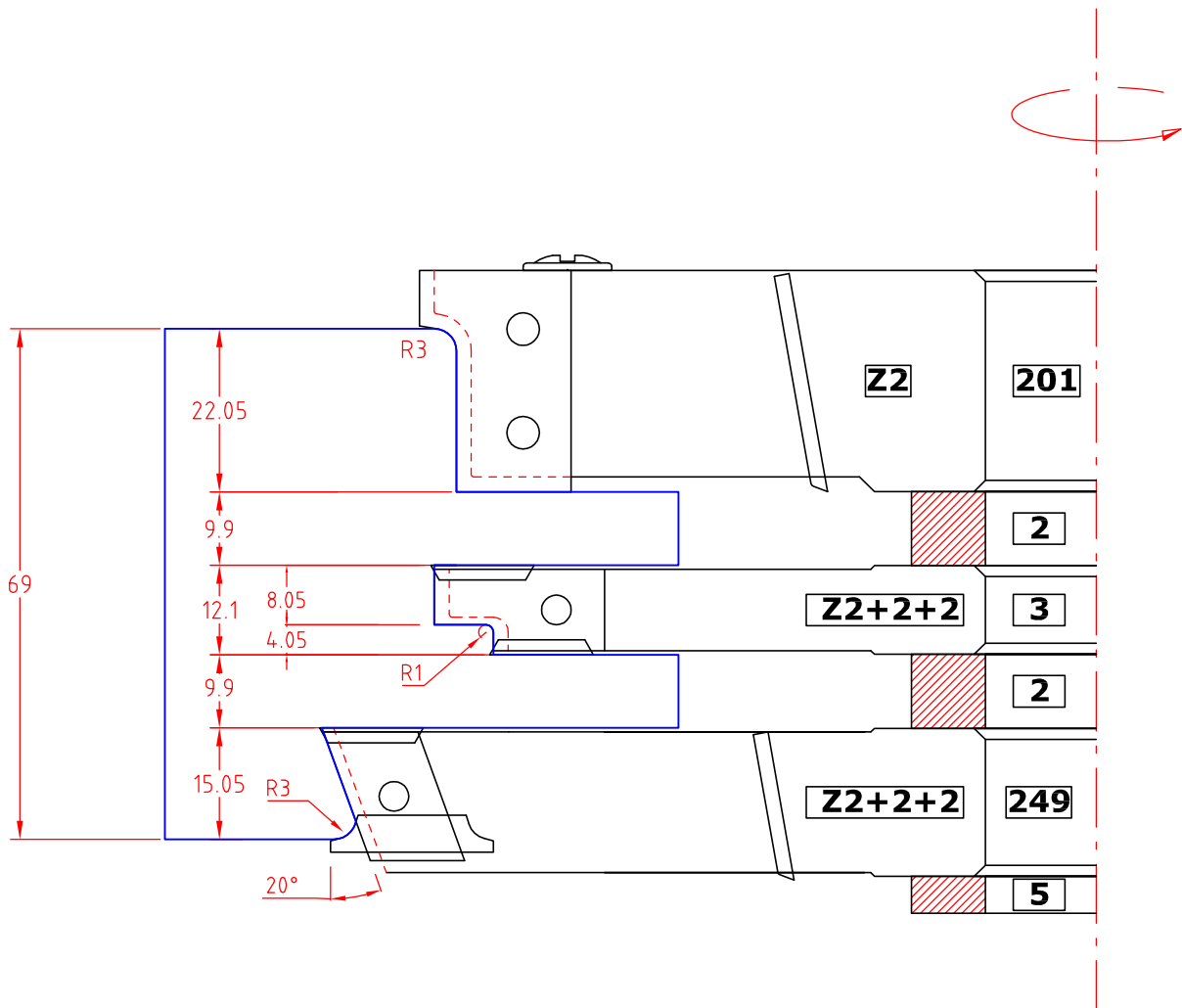




*TENON TOOLS FOR HEAD AND SILL JAMBS, 20 DEGREE SPLAYED PROFILE*

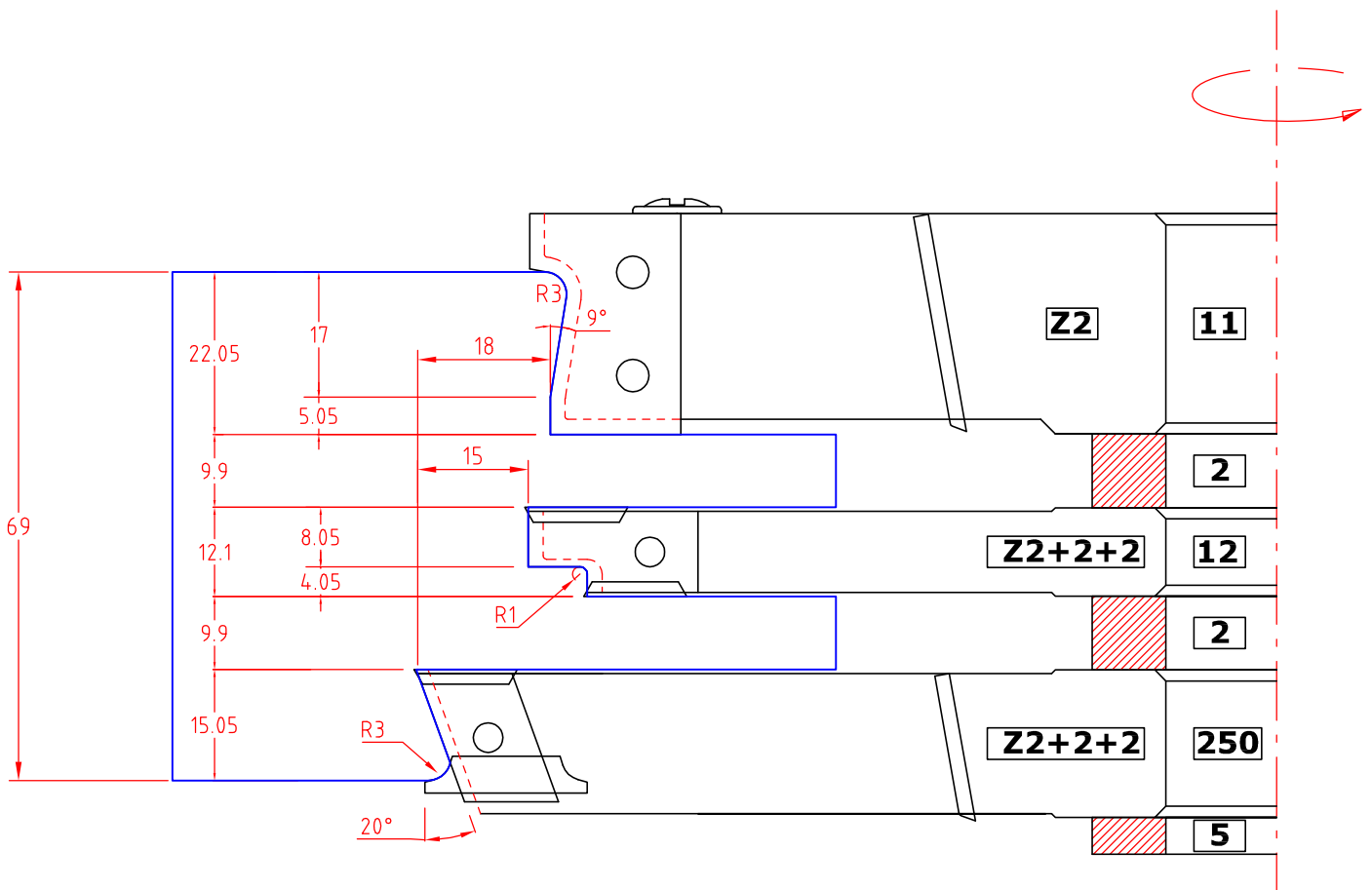


**CP TOOLING & MACHINERY LTD.**  
**01748-897170**  
**info@cptooling.co.uk**  
**www.cptooling.co.uk**





TENON TOOLS FOR OPTIONAL SPLAYED SILL, 20 DEGREE SPLAYED PROFILE

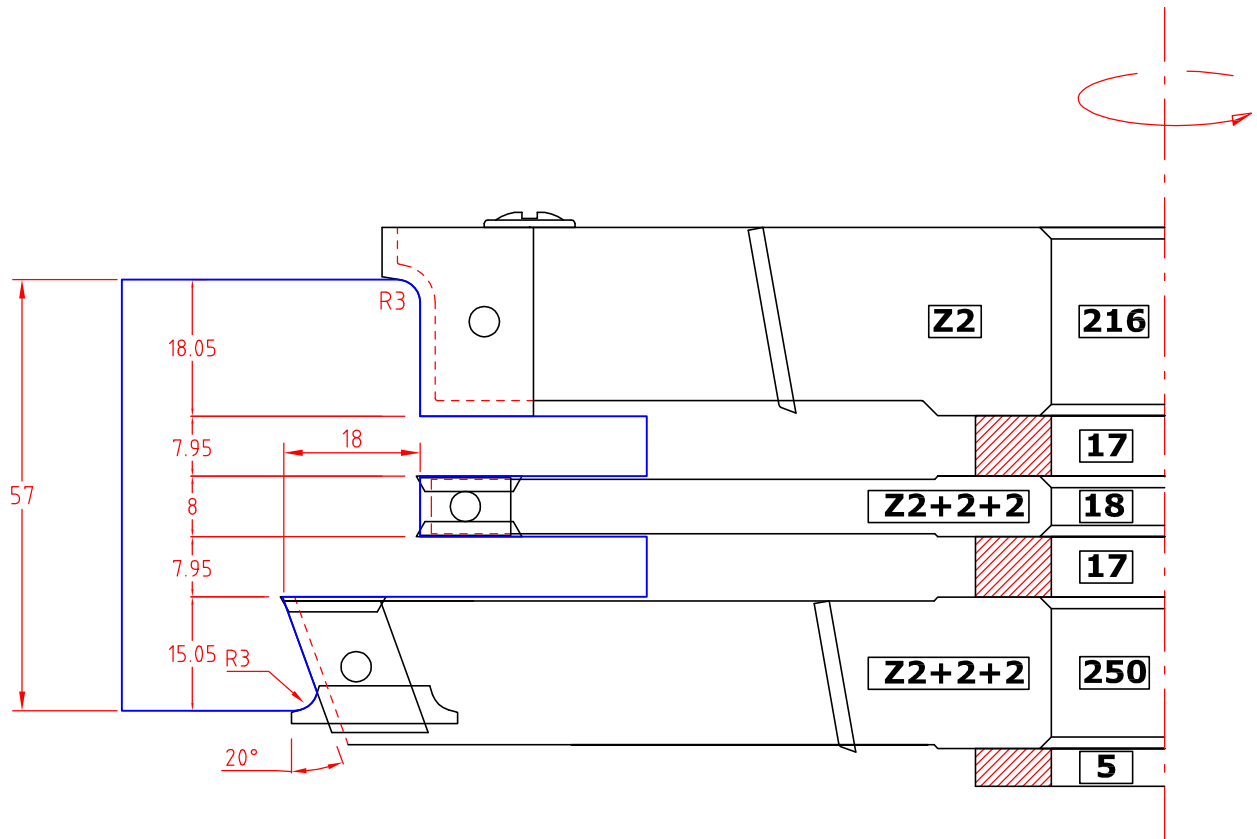


**CP TOOLING & MACHINERY LTD.**  
**01748-897170**  
**info@cptooling.co.uk**  
**www.cptooling.co.uk**





*TENONS FOR SASH RAILS, 20 DEGREE SPLAYED PROFILE*

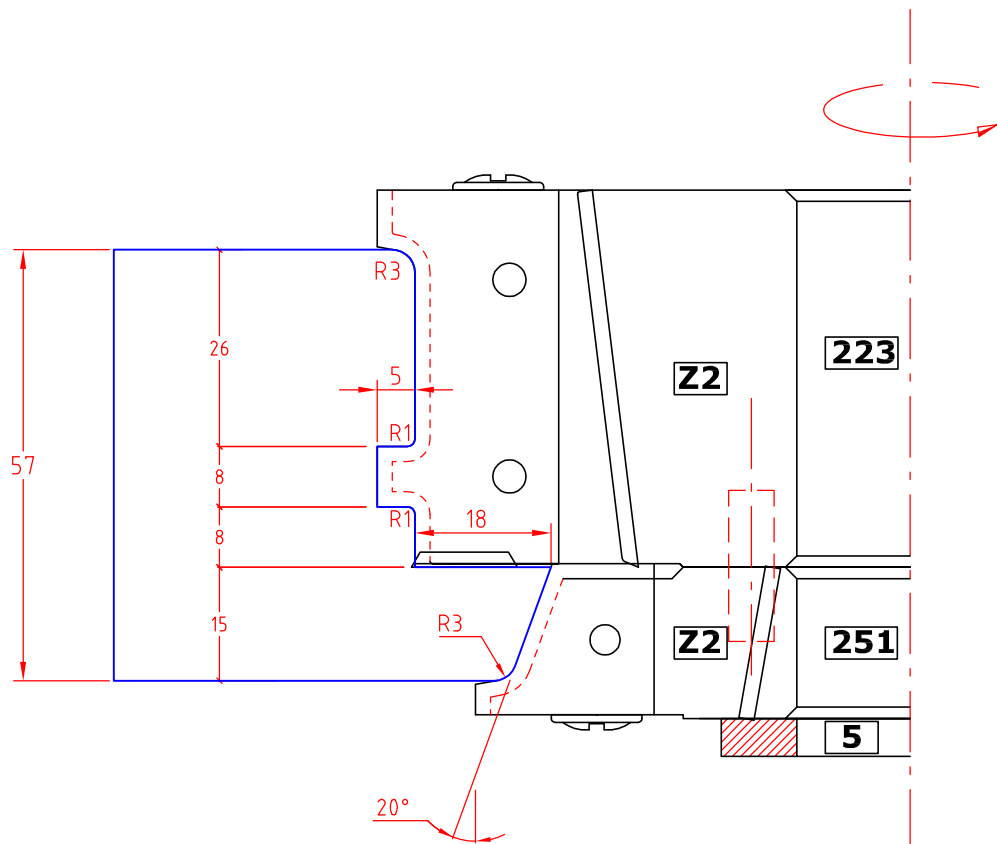


**CP TOOLING & MACHINERY LTD.**  
**01748-897170**  
**info@cptooling.co.uk**  
**www.cptooling.co.uk**





*INNER SASH PROFILE, 20 DEGREE SPLAYED PROFILE*

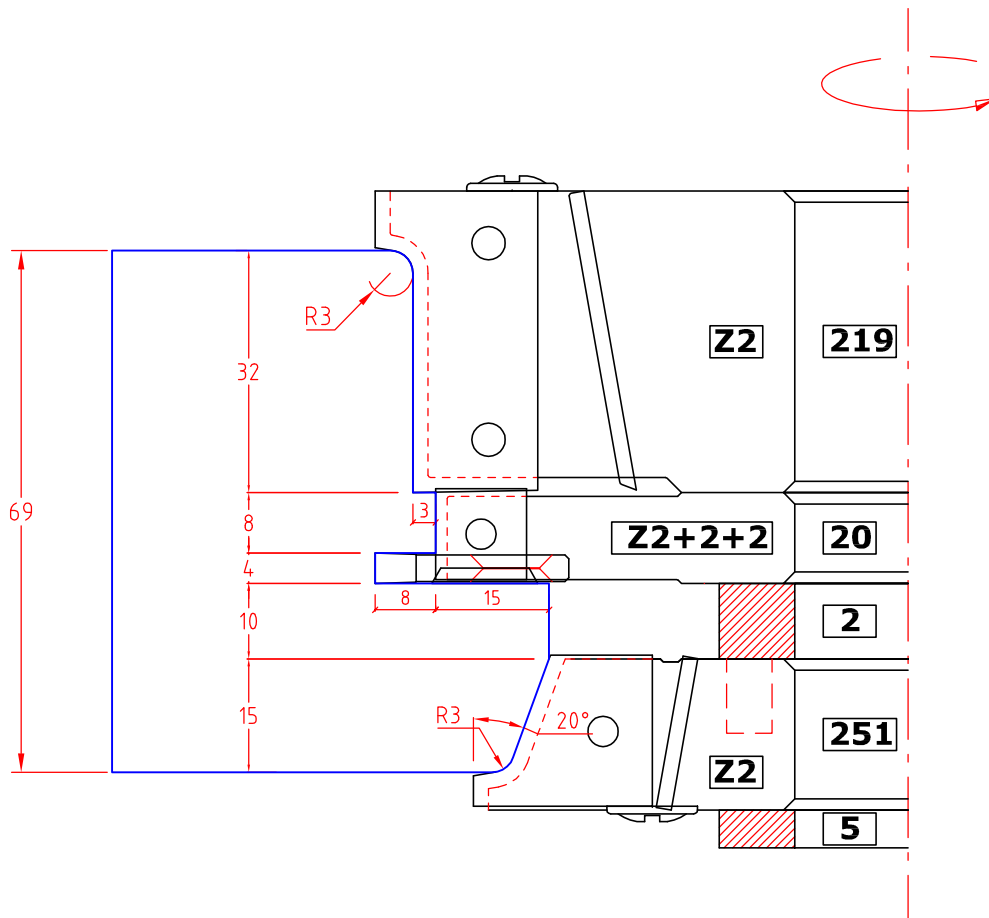


**CP TOOLING & MACHINERY LTD.**  
**01748-897170**  
**info@cptooling.co.uk**  
**www.cptooling.co.uk**





*OUTER FRAME PROFILE, 20 DEGREE SPLAYED PROFILE*

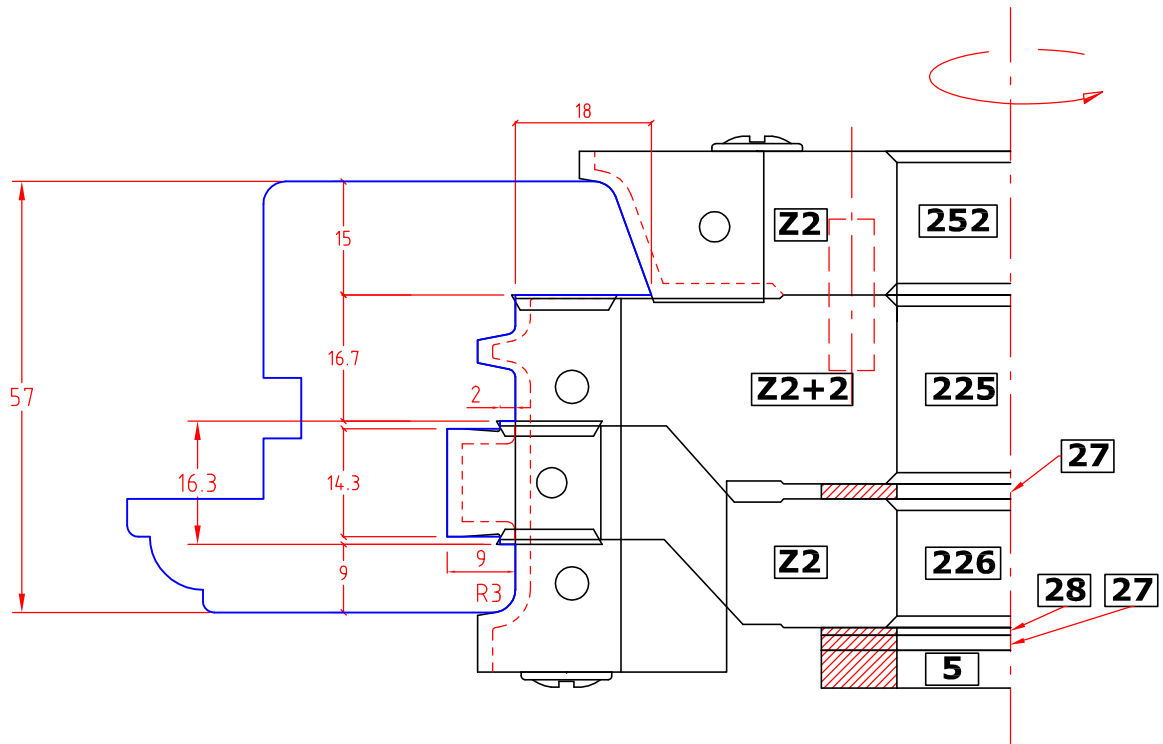


**CP TOOLING & MACHINERY LTD.**  
**01748-897170**  
**info@cptooling.co.uk**  
**www.cptooling.co.uk**





*OUTER SASH PROFILE, 20 DEGREE SPLAYED PROFILE*



**CP TOOLING & MACHINERY LTD.**  
**01748-897170**  
**info@cptooling.co.uk**  
**www.cptooling.co.uk**

