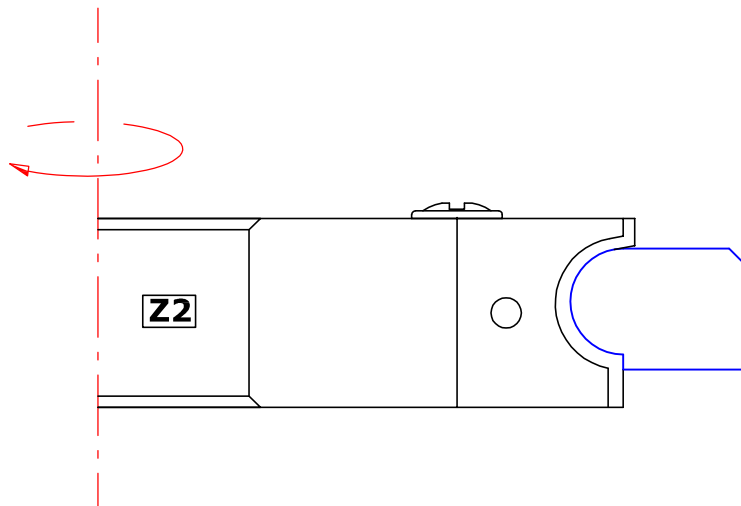
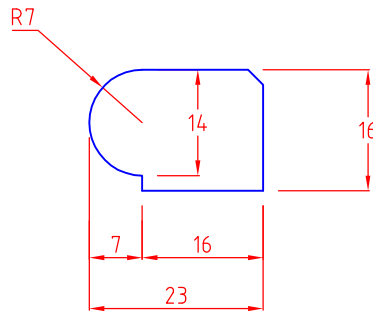




*SPECIAL ZERO SET TOOLING TO PRODUCE WINDOW BEADS ON A SCM COMPACT MOULDER*

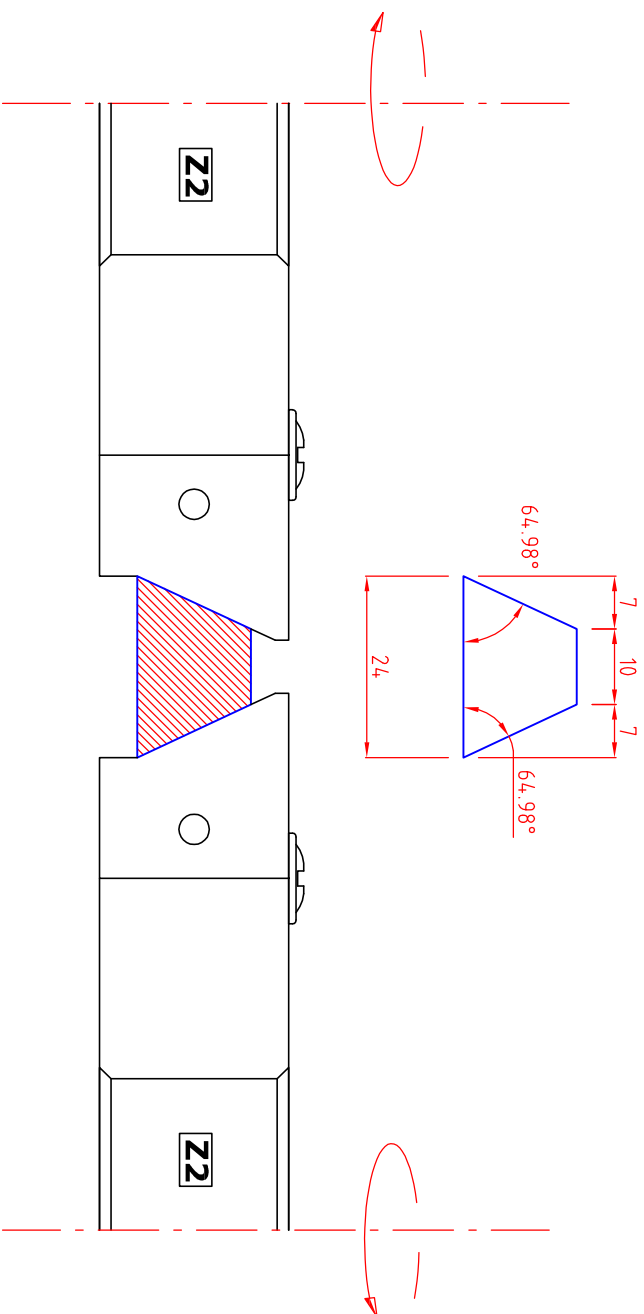


**CP TOOLING & MACHINERY LTD.**  
**01748-897170**  
**info@cptooling.co.uk**  
**www.cptooling.co.uk**





*SPECIAL ZERO SET TOOLING TO PRODUCE BEADS ON AN SCM COMPACT MOULDER*

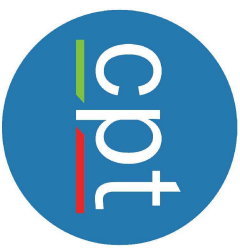
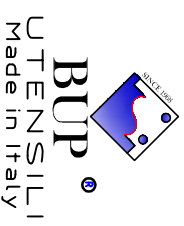


**CP TOOLING & MACHINERY LTD.**

**01748-897170**

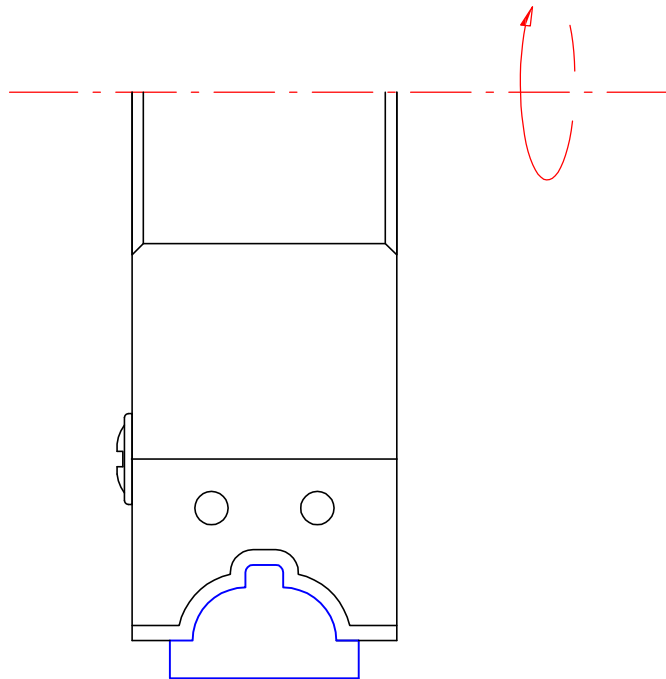
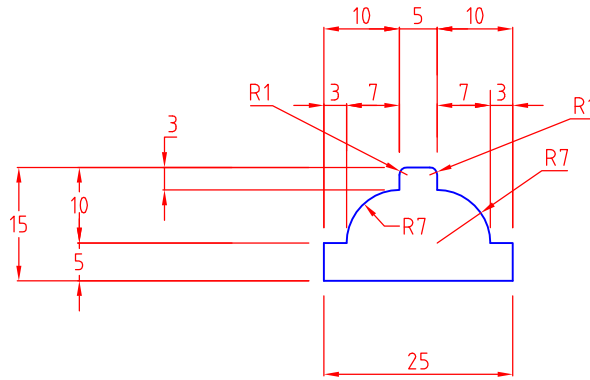
**info@cptooling.co.uk**

**www.cptooling.co.uk**





*SPECIAL ZERO SET TOOLING TO PRODUCE OVOLO BEADS ON AN SCM COMPACT MOULDER*

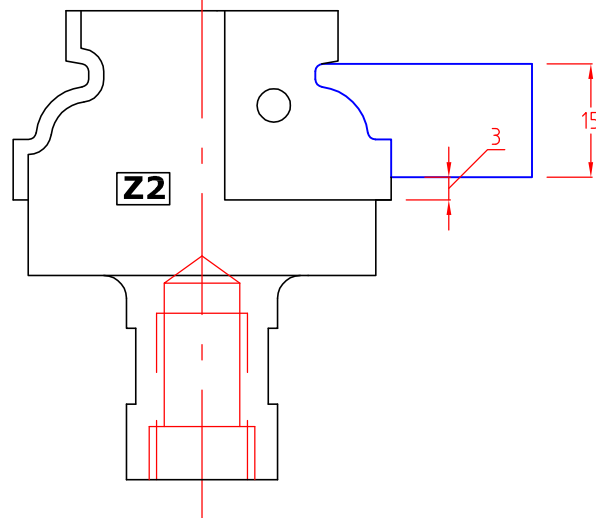
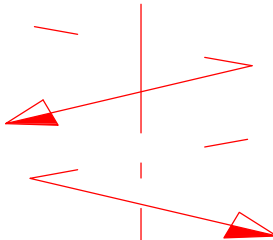
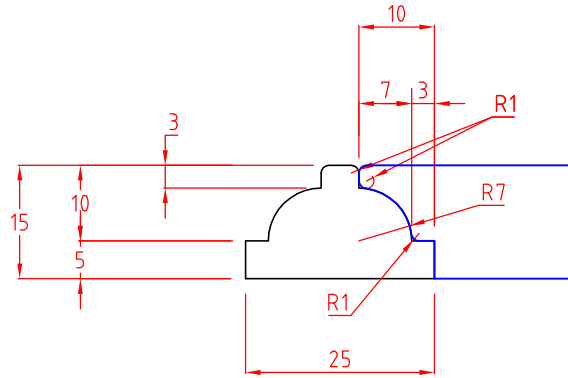


**CP TOOLING & MACHINERY LTD.**  
**01748-897170**  
**info@cptooling.co.uk**  
**www.cptooling.co.uk**





*SPECIAL ROUTER CUTTER TO PRODUCE  
A MATCHING OVOLO SCRIBE ON A STEGHERR MACHINE*



**CP TOOLING & MACHINERY LTD.**  
**01748-897170**  
**info@cptooling.co.uk**  
**www.cptooling.co.uk**

