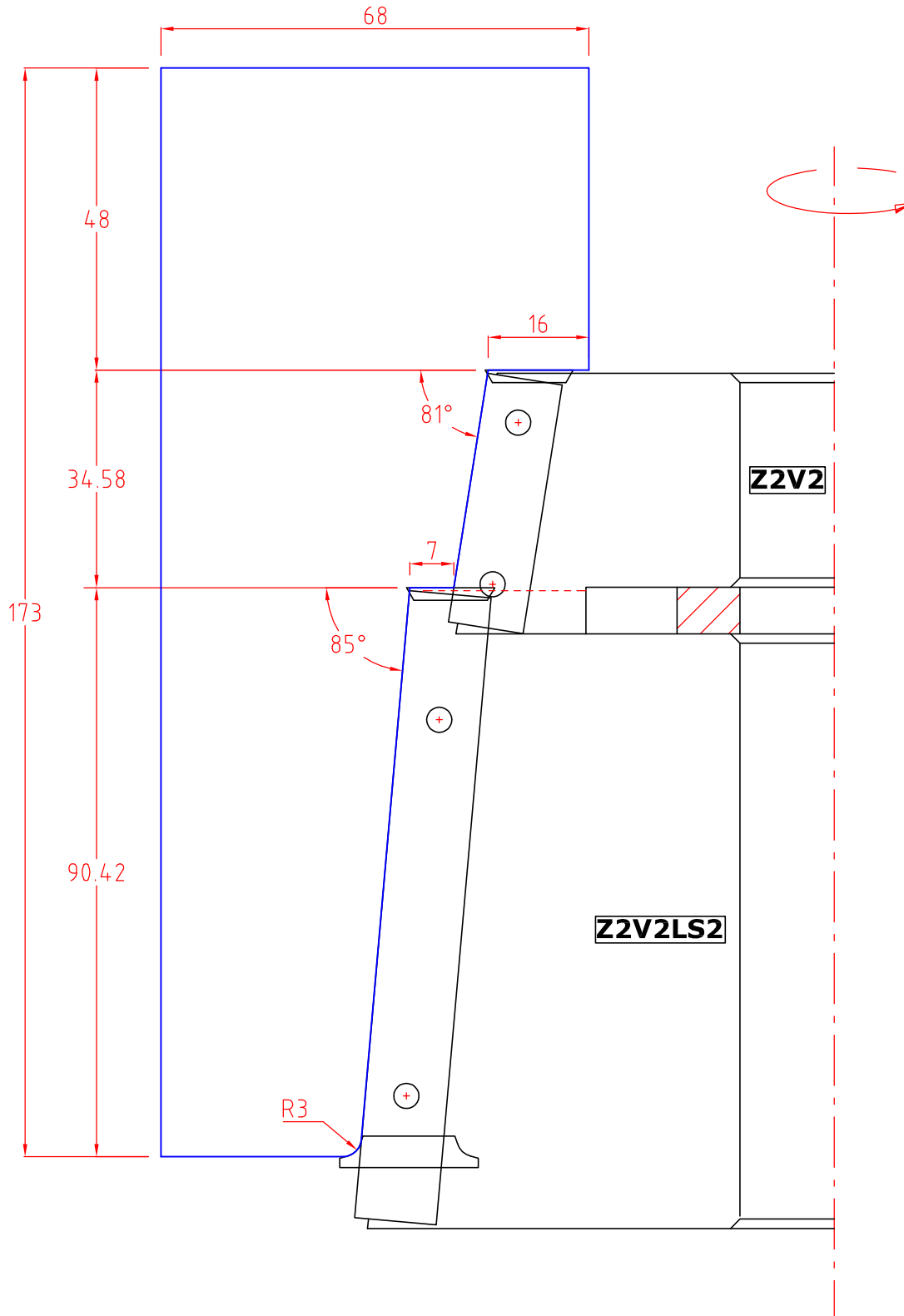




SPECIAL TOOLING TO PRODUCE A SLIDING BOX SASH SILL ON A SPINDLE MOULDER



CP TOOLING & MACHINERY LTD.
01748-897170
info@cptooling.co.uk
www.cptooling.co.uk

