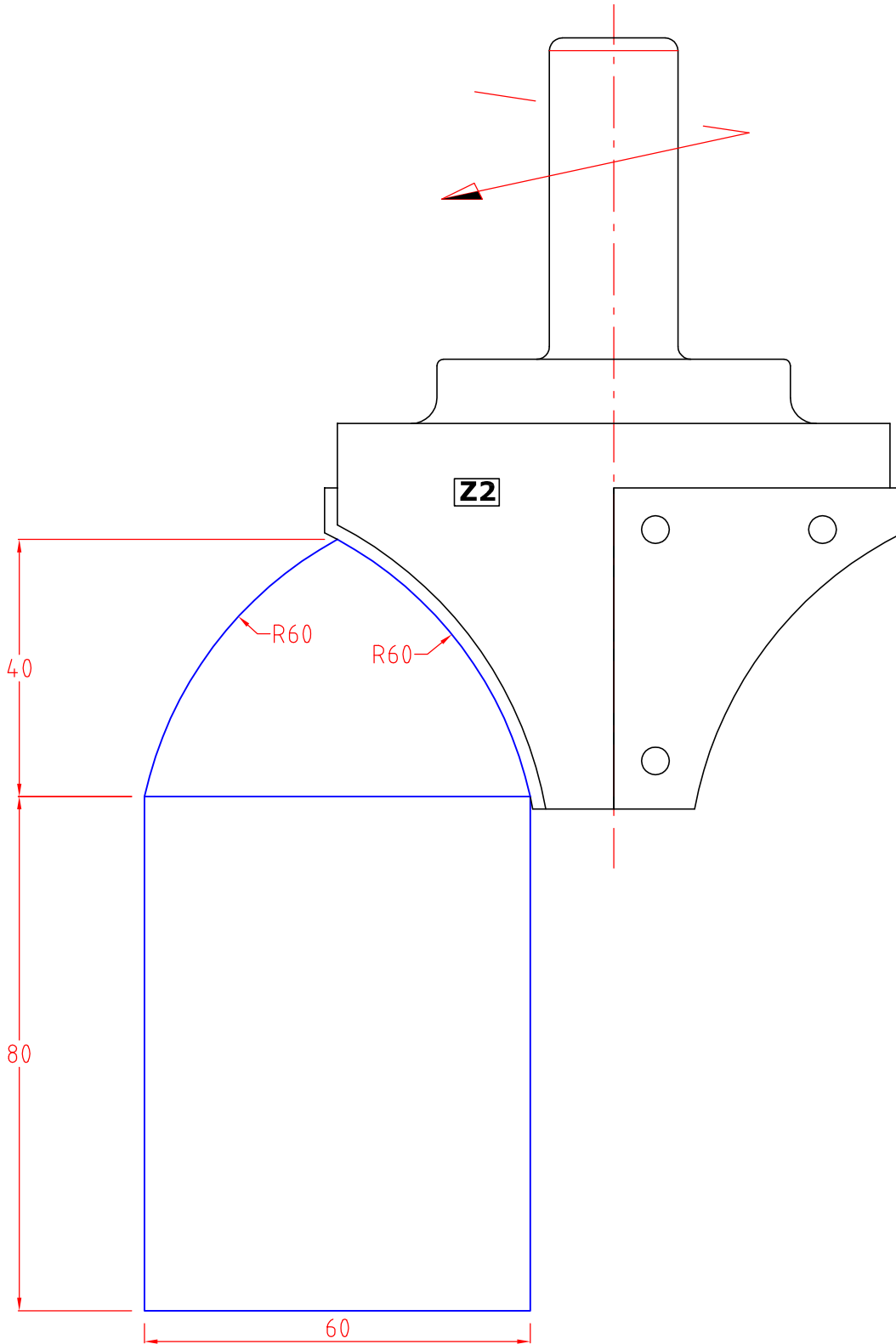


CLIENTE CP TOOLING	NR. DIS. 160855 - 01	DATA 11.07.2016	SCALE 1:1	
		DIS. Santini N.		
		WEIGHT: Kg	CHEMICAL TREATMENT:	
		BALANCING:	ARE. mm ²	AFF. mm

SPECIAL TOOLING TO PRODUCE A LARGE RADIUS ON A CNC ROUTER



CP TOOLING & MACHINERY LTD.
01748-897170
info@cptooling.co.uk
www.cptooling.co.uk



CLIENTE

CP TOOLING

NR. DIS.

160855 - 03

DATA **11.07.2016**

SCALE 1 : 1



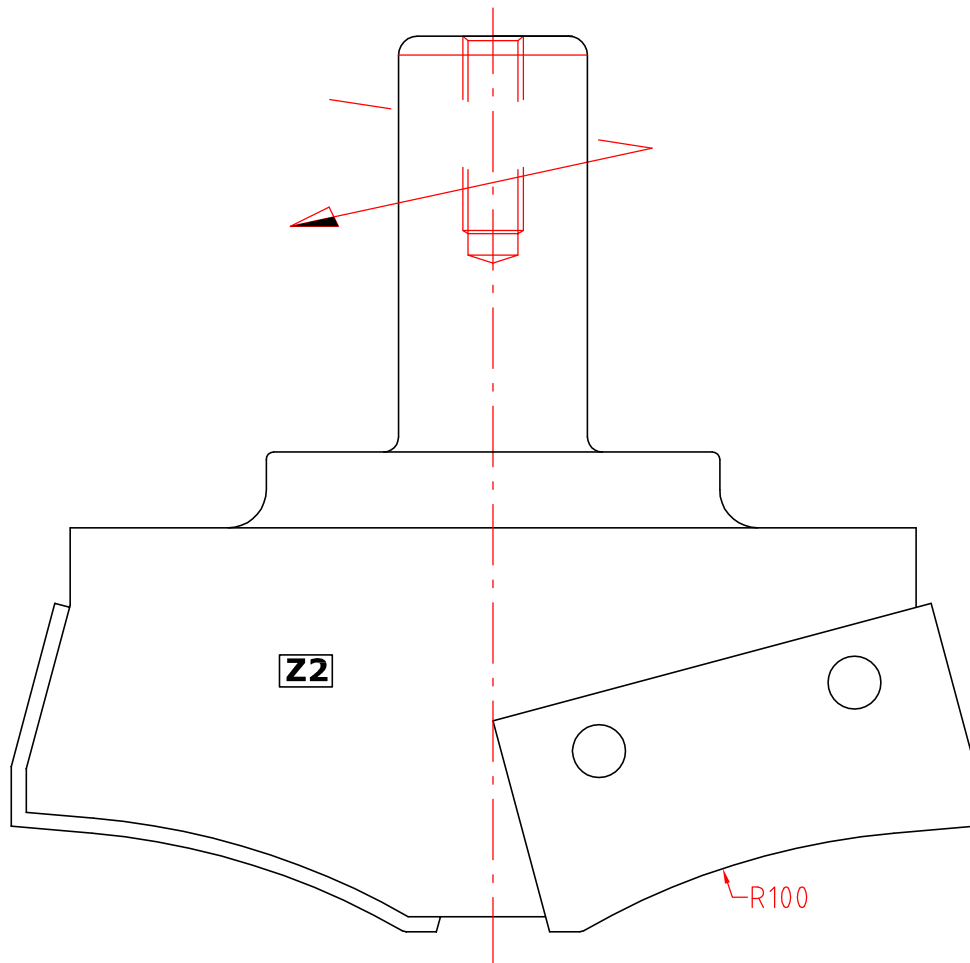
WEIGHT: Kg

CHEMICAL TREATMENT:

BALANCING:

ARE. mm² AFF. mm

SPECIAL TOOLING TO PRODUCE A LARGE RADIUS ON A CNC ROUTER



CP TOOLING & MACHINERY LTD.
01748-897170
info@cptooling.co.uk
www.cptooling.co.uk



CLIENTE

CP TOOLING

NR. DIS.

160855 - 04

DATA **11.07.2016**

SCALE 1 : 1



DIS. Santini N.

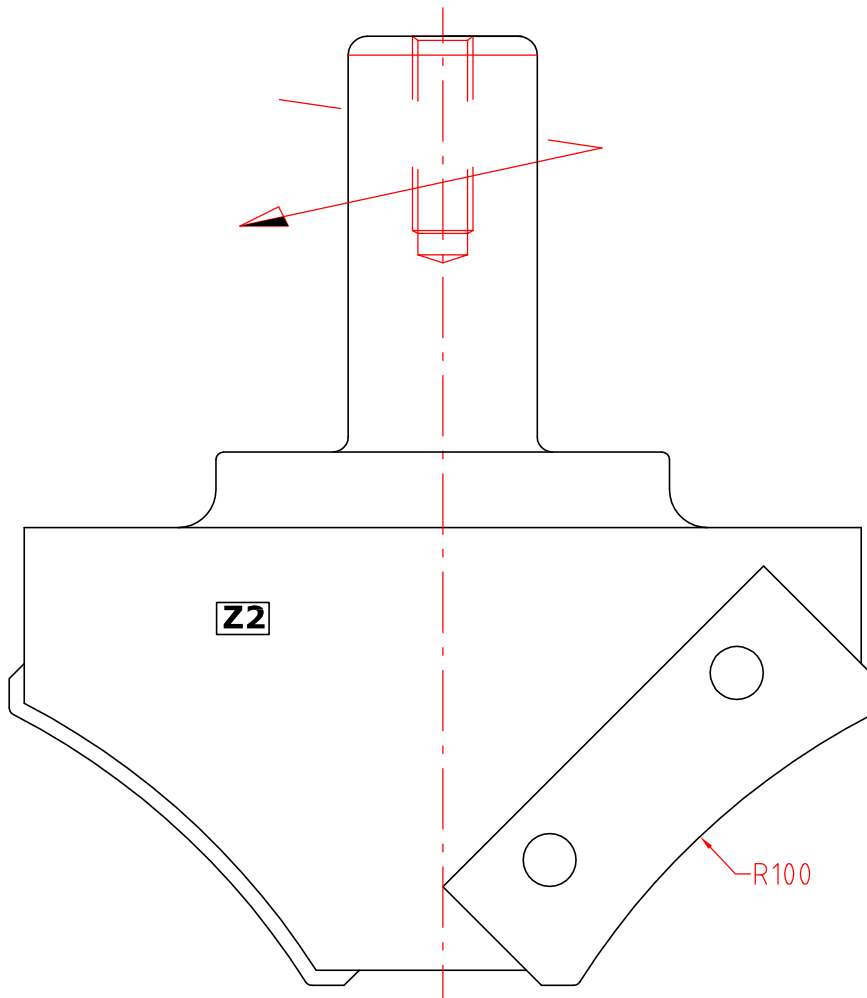
WEIGHT: Kg

CHEMICAL TREATMENT:

BALANCING:

ARE. mm² AFF. mm

SPECIAL TOOLING TO PRODUCE A LARGE RADIUS ON A CNC ROUTER



CP TOOLING & MACHINERY LTD.
01748-897170
info@cptooling.co.uk
www.cptooling.co.uk



CLIENTE

CP TOOLING

NR. DIS.

160855 - 05

DATA **11.07.2016**

SCALE 1 : 1



DIS. Santini N.

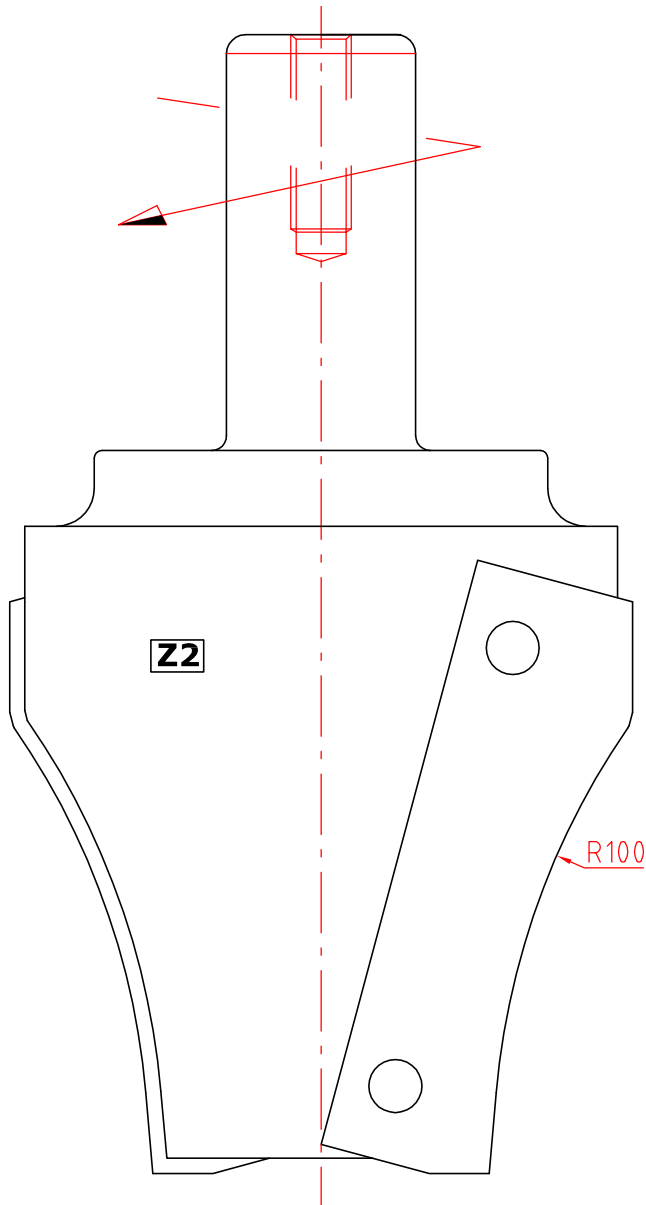
WEIGHT: Kg

CHEMICAL TREATMENT:

BALANCING:

ARE. mm² AFF. mm

SPECIAL TOOLING TO PRODUCE A LARGE RADIUS ON A CNC ROUTER

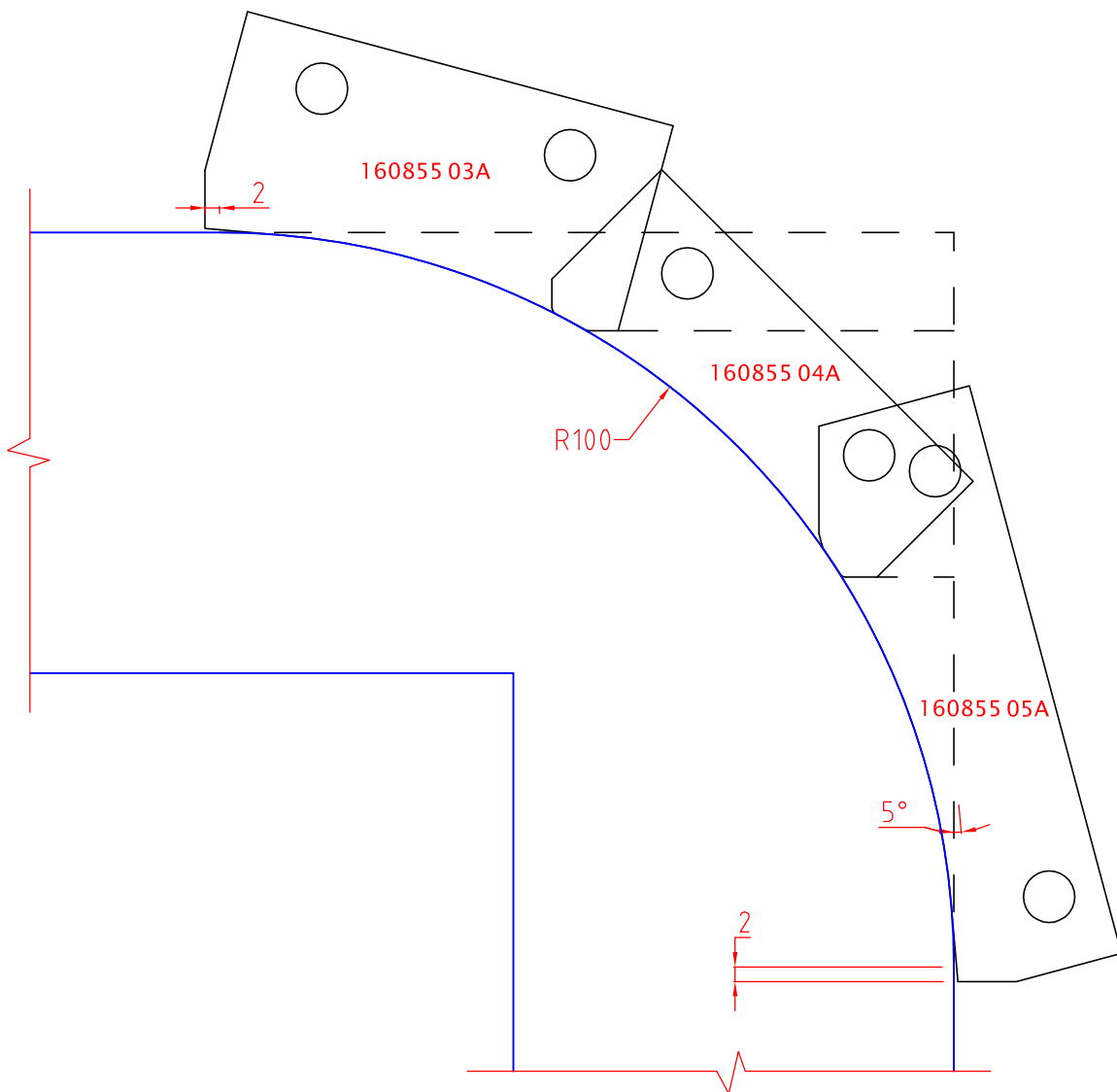


CP TOOLING & MACHINERY LTD.
01748-897170
info@cptooling.co.uk
www.cptooling.co.uk



CLIENTE CP TOOLING	NR. DIS. 160855 - 06	DATA 11.07.2016	SCALE 1 : 1	
		DIS. Santini N.		
		WEIGHT: Kg	CHEMICAL TREATMENT:	
		BALANCING:	ARE. mm ²	AFF. mm

SPECIAL TOOLING TO PRODUCE A LARGE RADIUS ON A CNC ROUTER



CP TOOLING & MACHINERY LTD.
01748-897170
info@cptooling.co.uk
www.cptooling.co.uk

