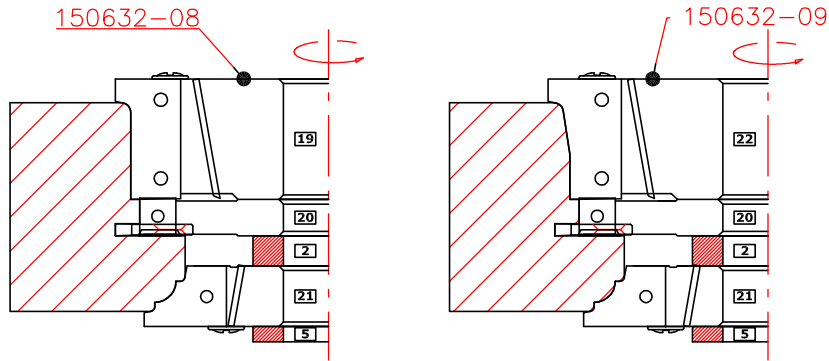
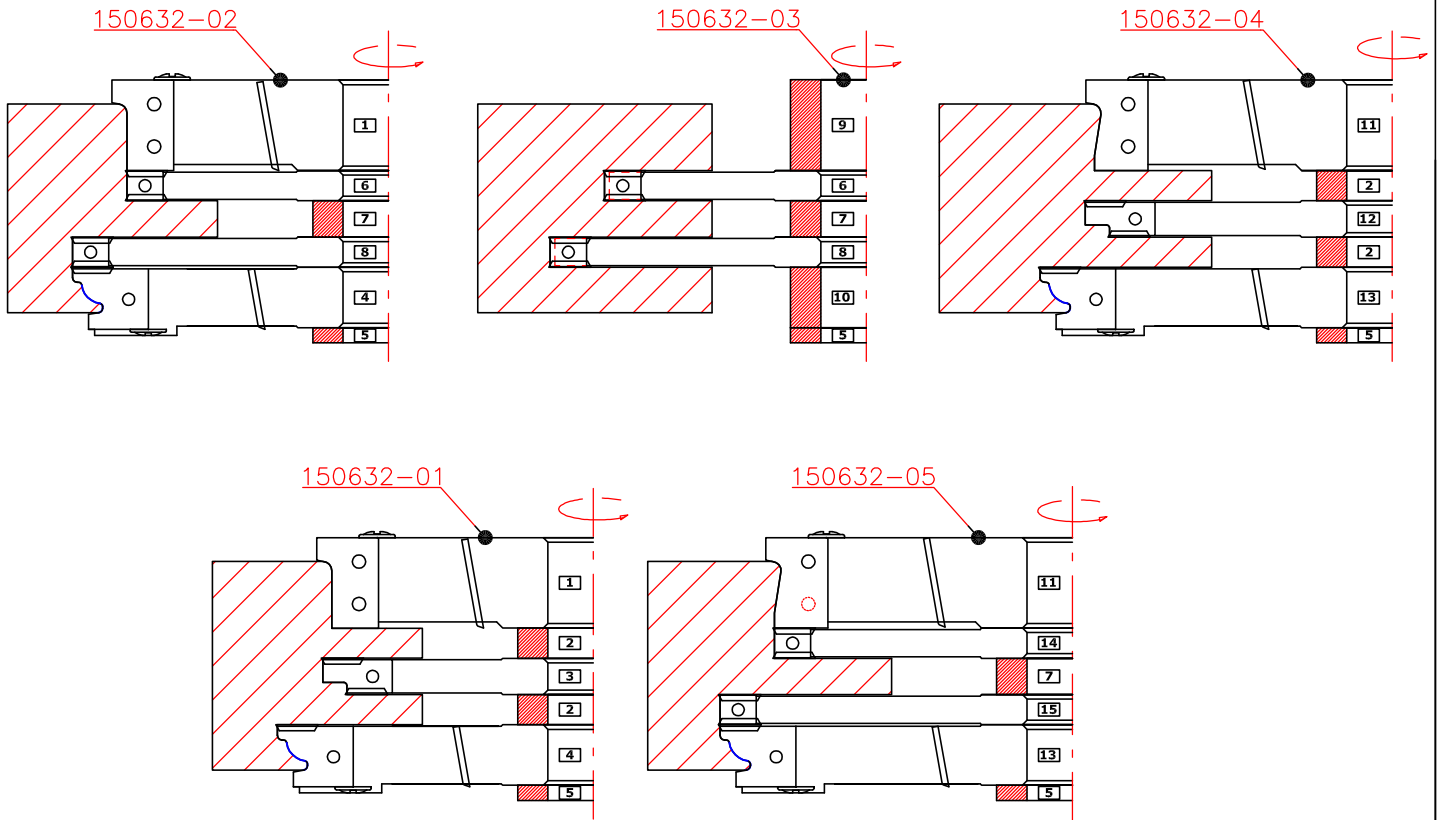


# HP STORMPROOF WINDOW TOOLING SYSTEM (Modular machine operations)

## STANDARD OUTER FRAME PROFILE TOOLS AND OPTIONAL SPLAYED SILL PROFILE



## STANDARD OUTER FRAME SLOT & TENON TOOLS AND OPTIONAL JAMB TENONS TO SPLAYED SILL

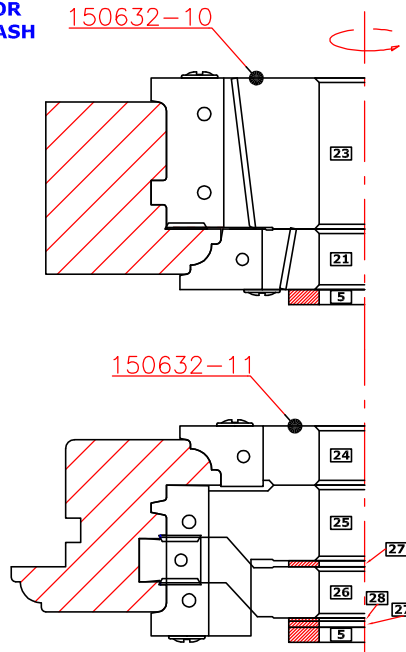


**CP TOOLING & MACHINERY LTD.**  
**01748-897170**  
**info@cptooling.co.uk**  
**www.cptooling.co.uk**

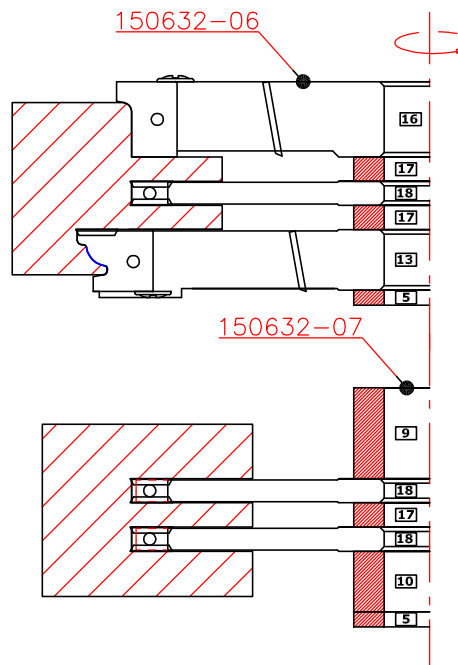


# HP STORMPROOF WINDOW TOOLING SYSTEM (Modular machine operations)

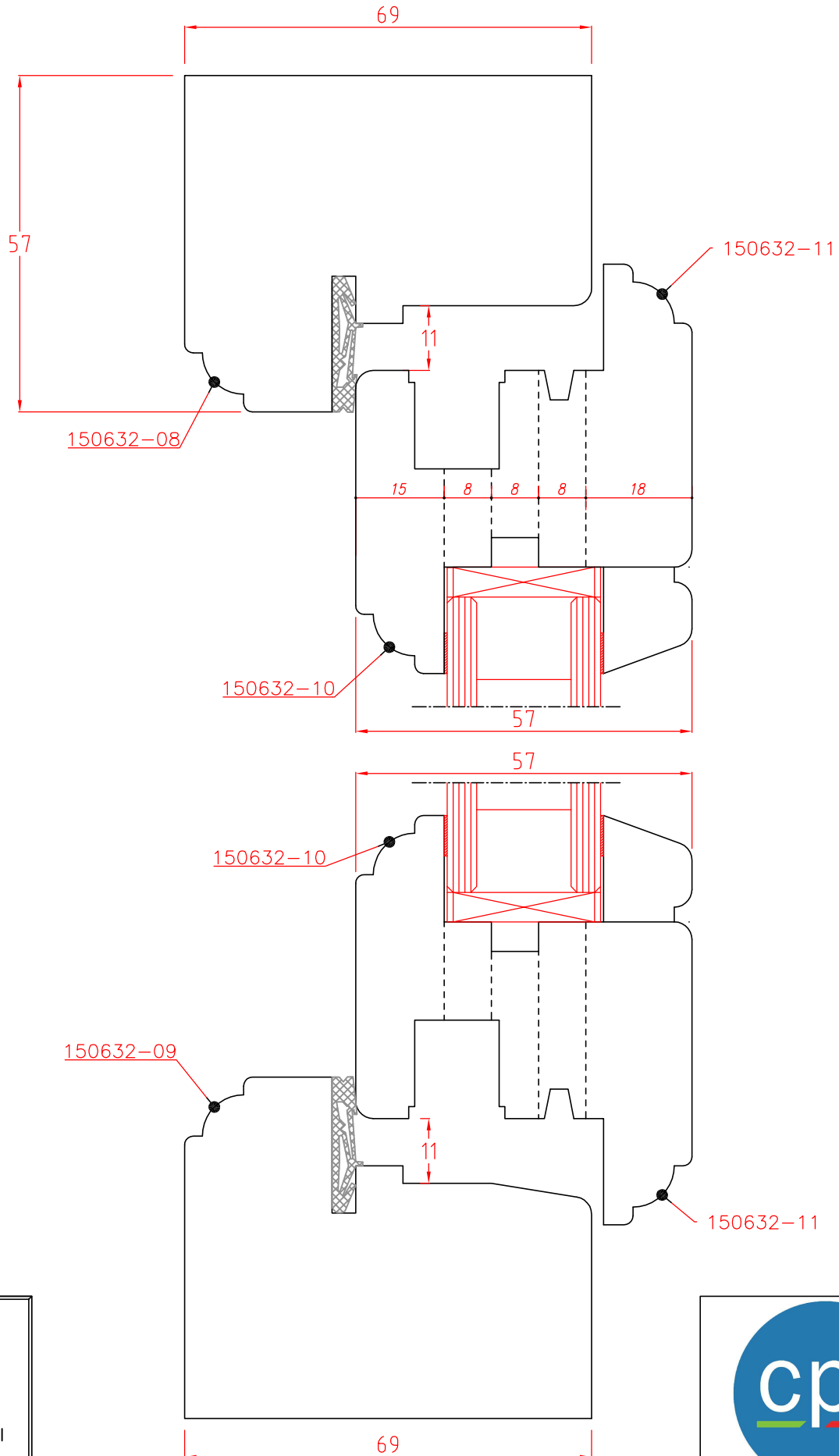
## PROFILE TOOLS FOR INNER AND OUTER SASH



## SASH SLOT AND TENON TOOLS



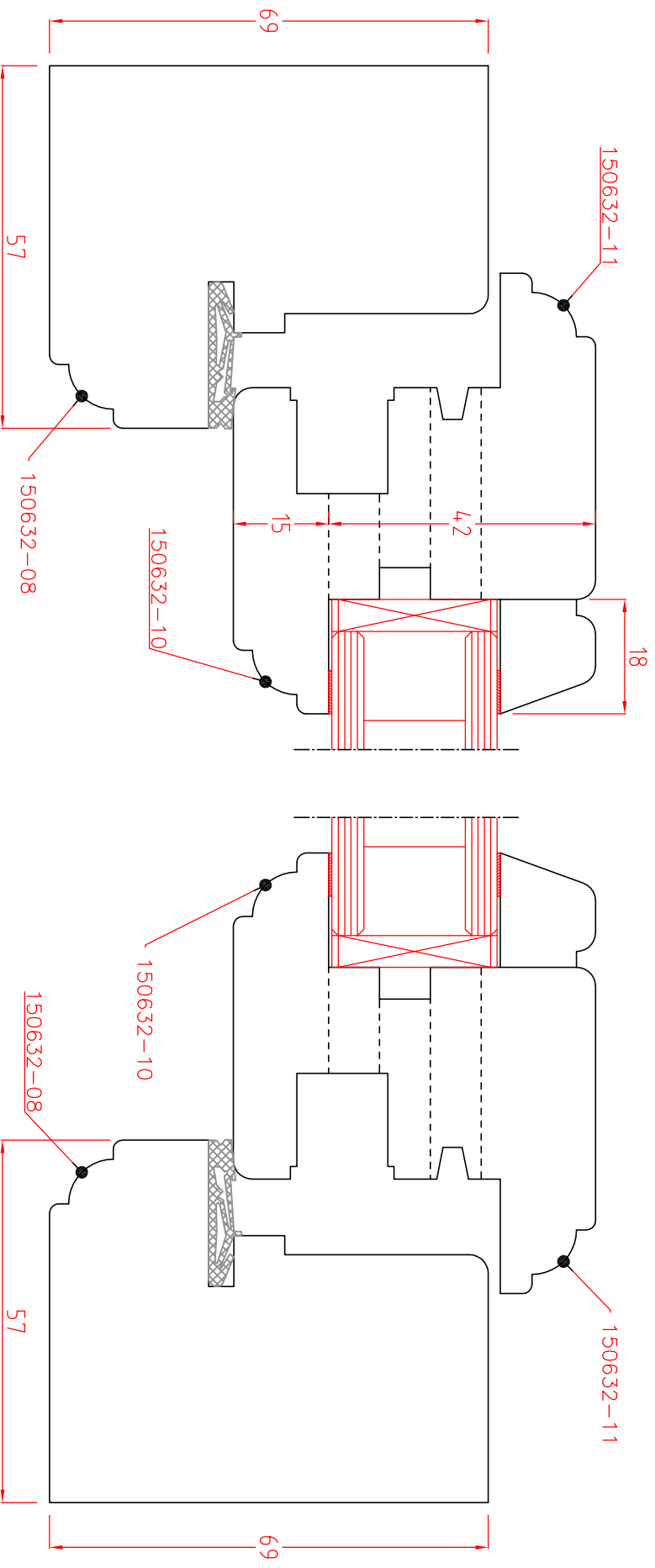
# HP STORMPROOF WINDOW TOOLING SYSTEM (Vertical sections - Softform)



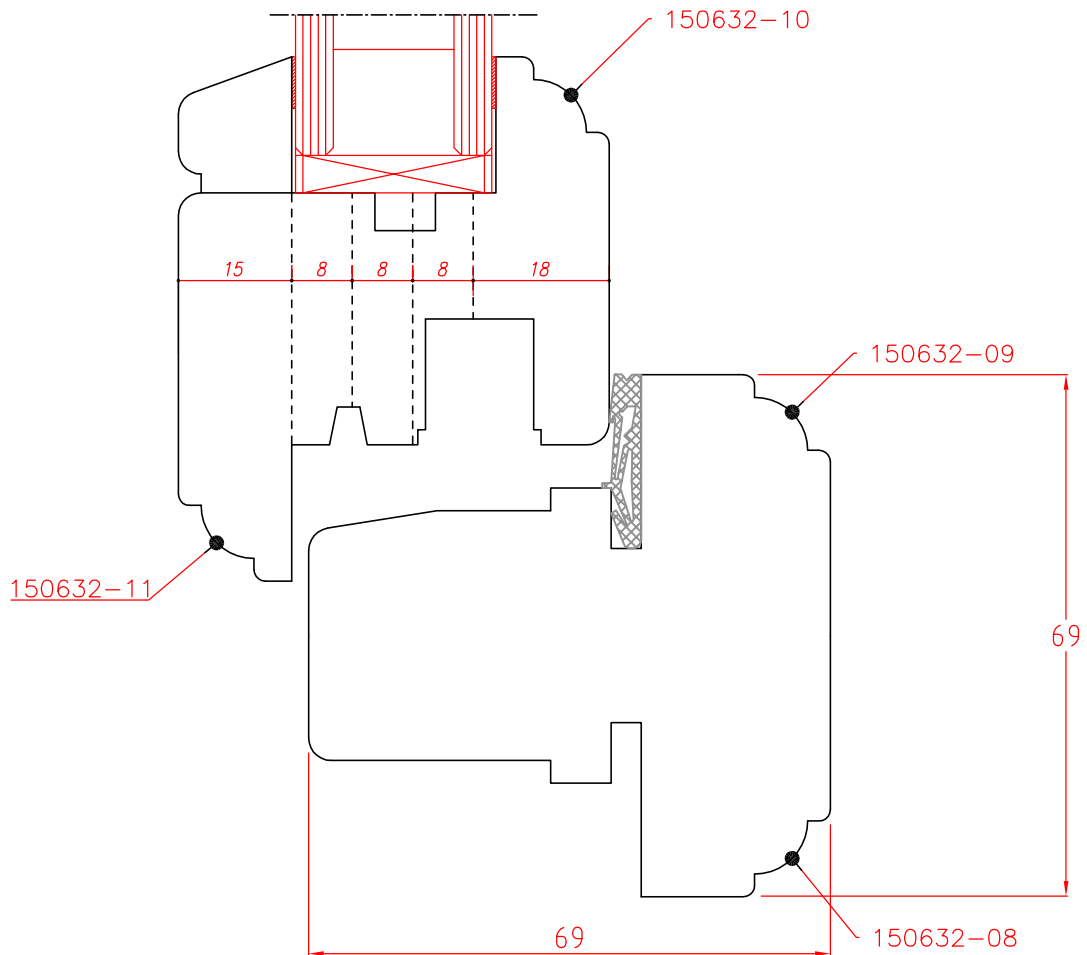
**CP TOOLING & MACHINERY LTD.**

**info@cptooling.co.uk 01748-897170 www.cptooling.co.uk**

# HP STORMPROOF WINDOW TOOLING SYSTEM (Horizontal sections - Softform)



# HP STORMPROOF WINDOW TOOLING SYSTEM (Transom - Softform)



**CP TOOLING & MACHINERY LTD.**  
**01748-897170**  
**info@cptooling.co.uk**  
**www.cptooling.co.uk**



# HP STORMPROOF WINDOW TOOLING SYSTEM (Mullion - Softform)

