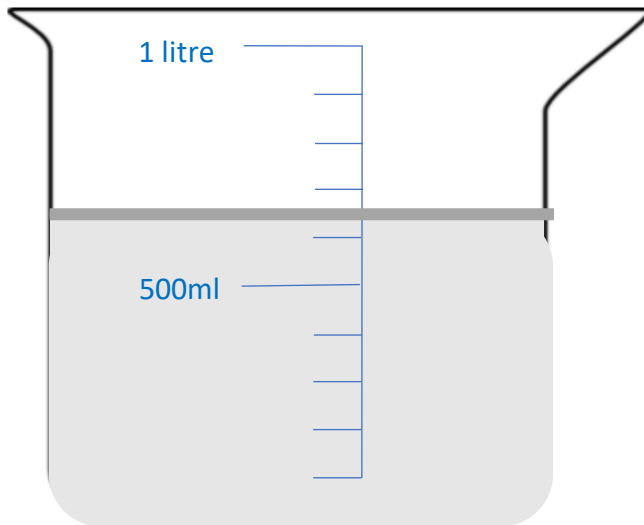
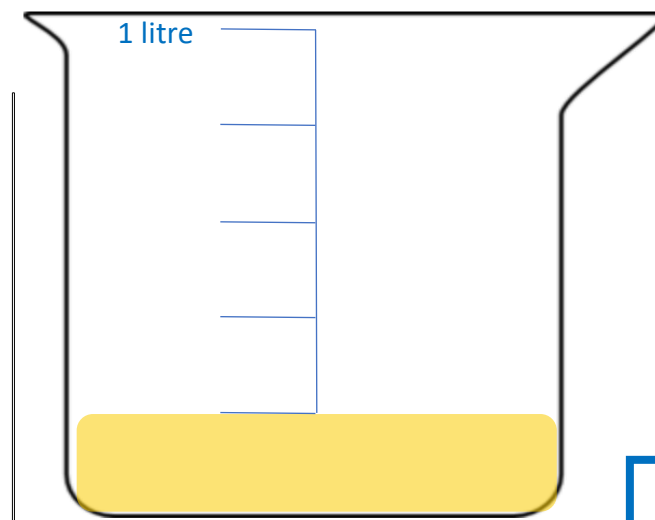




1 a) Sonya is making soup. How much water has she measured?


 ml

b) Once the soup is blended, Sonya wants to serve each person  $\frac{1}{4}$  of a litre of soup. How much more soup does she need to add to this serving?


 ml

2a) Order these measurements starting with the longest.

340cm

32902 mm

0.031 km

3165cm

3.3 m

--	--	--	--	--

2b) Write the 2459 grams in kilograms.

	kg
--	----

3) Order the following amounts of time from the shortest amount of time to the longest amount of time.

325 minutes

24,000 seconds

5 hours

$\frac{1}{4}$  day

--	--	--	--

4) Below is a timetable to show staff which sections they will be supervising at a trampoline activity centre.

	Foam pit	Dual area	Large trampolines	Break	Small Trampolines	Bridge
Nikki	9: 30	10:15	11:50	12:30	12:55	13:30
Jade	10:00	11:25	12:30	13:00	13:25	14:35
James	11:10	12:25	12: 55	14:00	14:25	16:10
Vinay	-	-	10:00	-	12:05	12:55
Harvey	12:15	-	13:55	-	15:00	-

a) At what time does Nikki start work?

b) Harvey finishes work at 4 pm. How long does he work for?

c) At what time are both Jade and Nikki in the dual area together?

d) How much longer is James supervising the small trampolines than Vinay?

e) Who is supervising the dual area for the longest amount of time?

5)

Approximately 1 mile is the same as 1.6 kilometres.

a) Approximately, how many kilometres is 4 miles?

b) Approximately, how many miles is 8 kilometres?

6) Tom, Tia and Nevaeh run a total of 4500m.

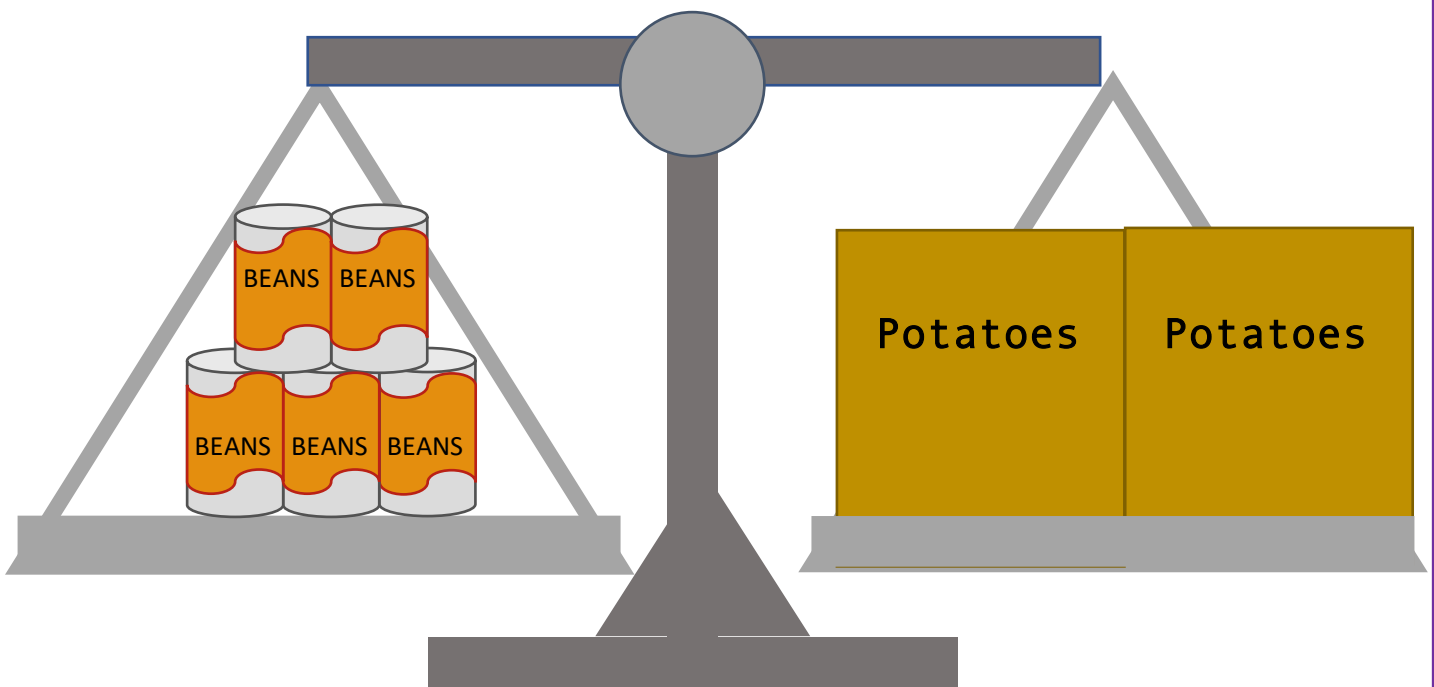
Tom runs 1.2km

Tia runs 2.75km

How far does Nevaeh run?

km

7) Look at the image below.



If one pack of potatoes weigh 1 kilogram, how many grams does a tin of beans weigh?

g