

Metal Fabric Datasheet K700-17 LSA

Thickness of fabric:

2.26mm coated

Weft width:

1.7mm coated

Weft thickness:

0.38mm coated

Louvre pitch:

1.5mm centre to centre

Gap between each louvre:

1.12mm coated

Warp spacing:

12.70mm centre to centre

Fabric Weight:

1.35kg / m²

Clear open area:

80%

Fabric composition:

90% CuZn15 (C230) commercial bronze and 10% CUSi3Mn1 (C655) silicon bronze

Finishes:

Polyester powder coat in any RAL colour (with the ability to create designs on the fabric which are directionally visible)

Fire rating:

Class A1/A2-s1,d0 in accordance with BS EN 13501-1:2007+A1:2009

Resistance to wind:

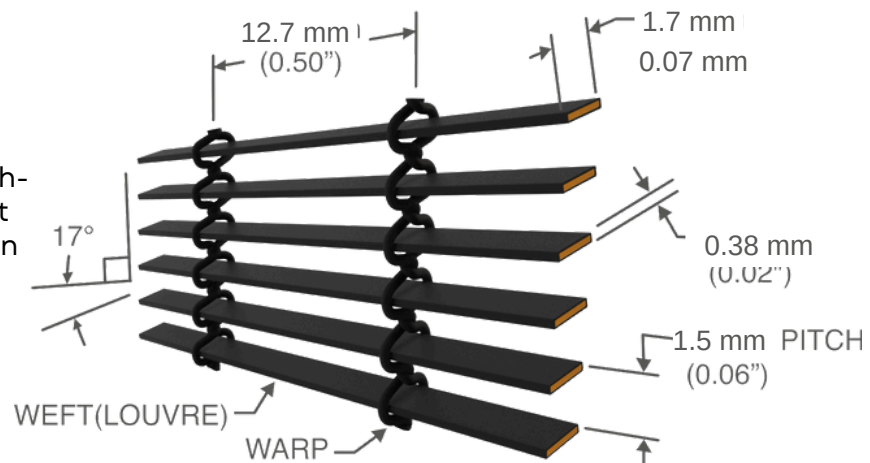
Hurricane proof: 100mph/160kph

A result of decades of extensive international research and development, KoolShade is a high-performance, woven metal fabric, with its weft constructed of bronze louvres. It can be used in its fabric form or tensioned in a frame, for controlling and diffusing sun, light and air.

The micro-fine louvres are angled to suit a number of applications, whether to ensure optimum light in or redirect light, whilst blocking heat and glare, or to allow ventilation and filtration of air.



It's known as angular selective technology.



*All angles, weights and dims are nominal
Doc ID: TDS 3 Nov 2024

Solar Shading

Fire Protection

Heat Attenuation

Architectural Glazing

Lighting Design

Glare Protection

Pest Protection

Privacy and Security

Interior Design

Visit us:

www.smartlouvre.com

Talk to us:

+44 (0) 239 245 6333

Request a sample:

info@smartlouvre.com